



Ersatzteilliste

Spare parts list

Liste de pièces de rechange

ProfiLine FS

36-24
39-27
39-31
41-33
43-34



ProfiLine FZ

36-20 43-27
36-24 43-30
39-23 43-34
39-27 46-26
39-31 46-29
41-25 46-33
41-29 48-33
41-33 48-37
 48-42

Gültig für Maschinen Nr. / Valid for serial No. / Valable pour N°
ab/from/dés 7250666

E58FZ2

2023

Bei Ersatzteilbestellungen sind die Seriennummer Ihrer Maschine und, wenn möglich, das Baujahr unbedingt anzugeben. Das erspart Ihnen Zeit, Geld und Ärger und erleichtert uns die Abfertigung. Tragen Sie die Nummer Ihrer Maschine bitte hier ein:

Nr: _____ Geliefert am _____

Dann haben Sie bei Ersatzteilbestellungen die Nummer immer zur Hand. Die Seriennummer ist auf dem Typenschild eingetragen (siehe Abb. 1).

Always state the serial number and if possible the year of the machine when ordering spare parts whereby you save time and money and facilitate matters for us. Please enter the number of your machine here:

Nr: _____ Delivered on the _____

Appropriate when ordering parts. The serial number is located as shown on Fig. 1.

Lorsque vous commandez des pièces de rechange, indiquez toujours le numéro de série de votre machine et si possible son année de fabrication. Vous éviterez des pertes de temps et vous nous faciliterez le travail. Veuillez noter ici le numéro de série de votre machine :

Numéro : _____ Livré le _____

Ceci vous sera utile lorsque vous commanderez des pièces. Le numéro de série est indiqué sur la plaque signalétique (voir Fig. 1).



Abb. 1 / Fig. 1 Typenschild / Rating plate / Plaque signalétique

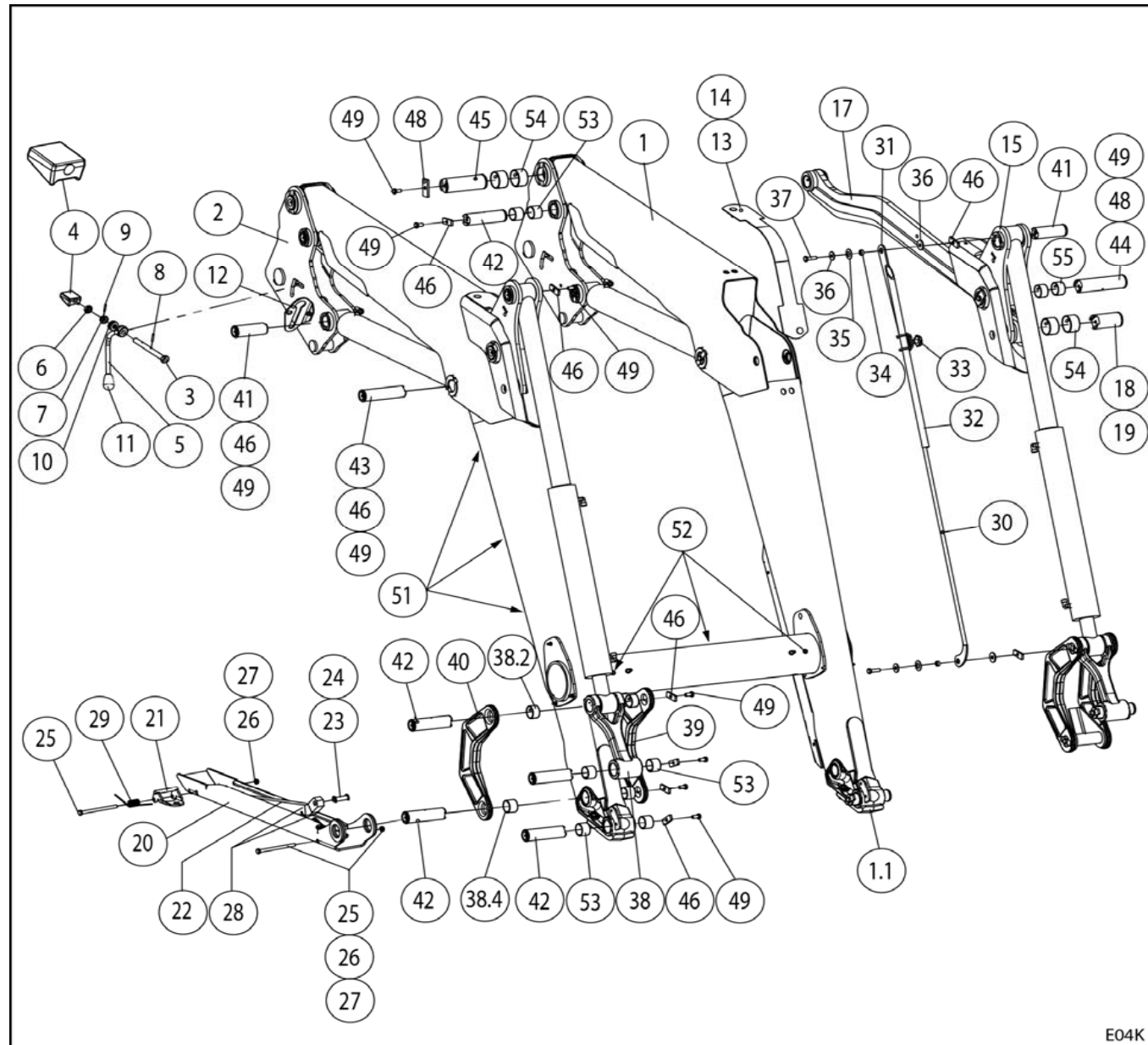
- 1 Seriennummer / Serial number / Numéro de série
- 2 Baujahr / Year of manufacture / Année de construction

| INHALTSVERZEICHNIS | TABLE OF CONTENTS | TABLE DES MATIERES | FS/FZ |
|---|---|---|---------------------|
| Benennung | Description | Désignation | Seite / Page |
| Grundschwinge FZ | Basic frame FZ | Brancard FZ | 4 |
| Grundschwinge FS | Basic frame FS | Brancard FS | 10 |
| Säule Doppelverriegelung | Pillar double locking mechanism | Triangle verrouillage double | 16 |
| Wechselrahmen (Euro) | Change frame (Euro) | Cadre porte-outil (Euro) | 18 |
| Scheibenbegrenzung | Windscreen limiter | Limitation de glace | 20 |
| Hydraulik | Hydraulic system | Système hydraulique | 22 |
| Hydraulikleitungen REAL3 | Hydraulic lines REAL3 | Conduites hydrauliques REAL3 | 30 |
| Hebenzylinder | Lifting cylinder | Vérin de levage | 32 |
| Werkzeugzylinder FZ | Tool actuating cylinder FZ | Vérin d'outil FZ | 36 |
| Werkzeugzylinder FS | Tool actuating cylinder FS | Vérin d'outil FS | 40 |
| Abdeckungen | Covers | Plaques de protection | 42 |
| Hydraulikausrüstung REAL3 und 3. Steuerkreis | Hydraulic equipment REAL3 and 3rd control circuit | Equipement hydraulique REAL3 et 3e circuit de commande | 44 |
| Hydraulikausrüstung 4. Steuerkreis | Hydraulic equipment 4th control circuit | Equipement hydraulique 4e circuit de commande | 46 |
| Kupplungen für REAL3, 3., 3. und 4. Steuerkreis | Couplings for REAL3, 3rd, 3rd and 4th control circuit | Connexions pour REAL3, 3e, 3e et 4e circuit de commande | 48 |
| Werkzeug-Fix für REAL3, 3. und 4. Steuerkreis | Implement Fix for REAL3, 3rd and 4th control circuit | Implement Fix pour REAL3, 3e et 4e circuit de commande | 50 |
| Comfort-Drive | Comfort Drive | Comfort-Drive | 52 |
| Hydraulische Werkzeug-Verriegelung (Euro) | Hydraulic implement locking mechanism (Euro) | Verrouillage hydraulique de l'outil (Euro) | 56 |
| Scheinwerfer | Headlights | Projecteurs | 60 |
| Kamerasystem | Camera system | Système de caméra | 62 |
| Absenkdrössel | Lowering throttle | Clapet limiteur de descente | 64 |
| Absenksicherung | Anti-lowering guard | Dispositif de sécurité anti-abaissement | 66 |
| Ventilblock FS/FZ | Valve block FS/FZ | Bloc de commande FS/FZ | 68 |
| Ventilblock FZ-L | Valve block FZ-L | Bloc de commande FZ-L | 70 |
| Ventil 4. Steuerkreis | Valve 4th control circuit | Bloc 4e circuit de commande | 72 |
| Elektroausrüstung Basis | Electrical equipment basis | Equipement électrique base | 74 |
| Elektroausrüstung FS/FZ | Electrical equipment FS/FZ | Equipement électrique FS/FZ | 76 |
| Elektroausrüstung FZ-L | Electrical equipment FZ-L | Equipement électrique FZ-L | 78 |
| Elektro-Funktionsschalter | Electric function switches | Interrupteurs électriques | 80 |
| Aufkleber und Anleitung | Decals and manual | Autocollants et notice d'utilisation | 82 |
| Anzugsmomente für Schrauben | Tightening torques for screws | Couples de serrage pour les vis | 94 |

DE Grundschiwinge FZ

EN Basic frame FZ

FR Brancard FZ



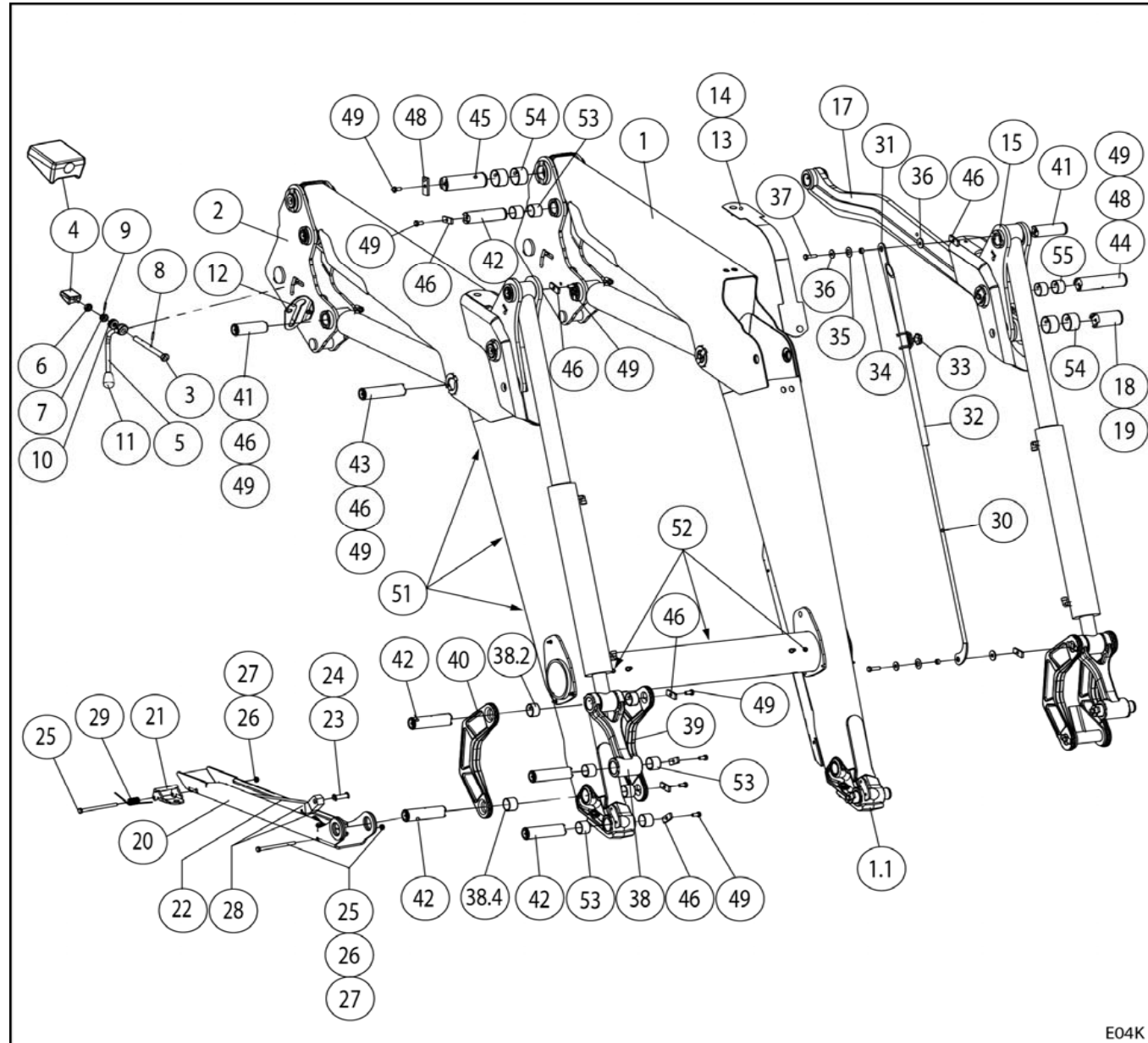
E04K

| E04K | | Grundschwinge FZ | Basic frame FZ | Brancard FZ | ProfilLine FZ | | | | | | | | | | | | | | | | | | | | | | | | | | | | | | | | |
|------|-------------|-------------------------------|--|---------------------------------|--------------------|---------------|----------|------------|----------|------------|----------|------------|----------|------------|----------|------------|----------|------------|----------|------------|----------|------------|----------|------------|----------|------------|----------|------------|------------|------------|------------|------------|------------|------------|---|---|---|
| Pos. | Bestell-Nr. | Benennung | Description | Désignation | Zeichnungsnr. | SIZE/MASS | FZ 36-20 | FZ 36-20.1 | FZ 36-24 | FZ 36-24.1 | FZ 39-23 | FZ 39-23.1 | FZ 39-27 | FZ 39-27.1 | FZ 39-31 | FZ 39-31.1 | FZ 41-25 | FZ 41-25.1 | FZ 41-29 | FZ 41-29.1 | FZ 41-33 | FZ 41-33.1 | FZ 43-27 | FZ 43-27.1 | FZ 43-30 | FZ 43-30.1 | FZ 43-34 | FZ 43-34.1 | FZ 46-26.1 | FZ 46-29.1 | FZ 46-33.1 | FZ 48-33.1 | FZ 48-37.1 | FZ 48-42.1 | | | |
| 1 | 3717840 | Schwinge gsw | Beam welded | Brancard soudé | 58.924-01-01 | | 1 | | | | | | | | | | | | | | | | | | | | | | | | | | | | | | |
| 1 | 3717850 | Schwinge gsw | Beam welded | Brancard soudé | 58.924-02-01 | | | 1 | | 1 | | | | | | | | | | | | | | | | | | | | | | | | | | | |
| 1 | 3715900 | Schwinge gsw | Beam welded | Brancard soudé | 58.926-01-01 | | | | | | 1 | | | | 1 | | | | | | | | | | | | | | | | | | | | | | |
| 1 | 3717820 | Schwinge gsw | Beam welded | Brancard soudé | 58.926-02-01 | | | | | | | 1 | | | | 1 | | | | | | | | | | | | | | | | | | | | | |
| 1 | 3715410 | Schwinge gsw | Beam welded | Brancard soudé | 58.928-01-01 | | | | | | | | | | | | 1 | | | 1 | | | | | | | | | | | | | | | | | |
| 1 | 3717870 | Schwinge gsw | Beam welded | Brancard soudé | 58.928-02-01 | | | | | | | | | | | | 1 | | | | 1 | | | | | | | | | | | | | | | | |
| 1 | 3717890 | Schwinge gsw | Beam welded | Brancard soudé | 58.930-01-01 | | | | | | | | | | | | | | | | | | | | | | | | | | | | | | | | |
| 1 | 3717900 | Schwinge gsw | Beam welded | Brancard soudé | 58.930-02-01 | | | | | | | | | | | | | | | | | | | | | | | | | | | | | | | | |
| 1 | 3717910 | Schwinge gsw | Beam welded | Brancard soudé | 58.932-02-01 | | | | | | | | | | | | | | | | | | | | | | | | | | | | | | | | |
| 1 | 3715260 | Schwinge gsw | Beam welded | Brancard soudé | 58.934-02-01 | | | | | | | | | | | | | | | | | | | | | | | | | | | | | | | | |
| 1.1 | 3733270 | Nachrüstung Verschleißkufen | Refitting wear skids | Patins d'usure Rétrofit | 58.932-88-01 | | 1 | 1 | 1 | 1 | 1 | 1 | 1 | 1 | 1 | 1 | 1 | 1 | 1 | 1 | 1 | 1 | 1 | 1 | 1 | 1 | 1 | 1 | 1 | 1 | 1 | 1 | 1 | 1 | 1 | 1 | |
| 2 | 3738580 | Säule links kpl. "Standard" | Pillar left cpl. "standard" | Triangle gauche cpl. "standard" | 58.924-30-21-11 | | 1 | 1 | 1 | 1 | 1 | 1 | 1 | 1 | 1 | 1 | | | | | | | | | | | | | | | | | | | | | |
| 2 | 3738590 | Säule rechts kpl. "Standard" | Pillar right cpl. "standard" | Triangle droit cpl. "standard" | 58.924-30-21-12 | | 1 | 1 | 1 | 1 | 1 | 1 | 1 | 1 | 1 | 1 | | | | | | | | | | | | | | | | | | | | | |
| 2 | 3738500 | Säule links kpl. "Standard" | Pillar left cpl. "standard" | Triangle gauche cpl. "standard" | 58.924-30-01-11 | | | | | | | | | | | | 1 | 1 | 1 | 1 | 1 | 1 | 1 | 1 | 1 | 1 | 1 | 1 | 1 | 1 | 1 | 1 | 1 | 1 | 1 | 1 | |
| 2 | 3738510 | Säule rechts kpl. "Standard" | Pillar right cpl. "standard" | Triangle droit cpl. "standard" | 58.924-30-01-12 | | | | | | | | | | | | 1 | 1 | 1 | 1 | 1 | 1 | 1 | 1 | 1 | 1 | 1 | 1 | 1 | 1 | 1 | 1 | 1 | 1 | 1 | 1 | |
| 2 | 3738600 | Säule links kpl. "vorgesezt" | Pillar left cpl. "75 mm to the front" | Triangle gauche cpl. "long" | 58.924-30-22-11 | | 1 | 1 | 1 | 1 | 1 | 1 | 1 | 1 | 1 | 1 | | | | | | | | | | | | | | | | | | | | | |
| 2 | 3738610 | Säule rechts kpl. "vorgesezt" | Pillar right cpl. "75 mm to the front" | Triangle droit cpl. "long" | 58.924-30-22-12 | | 1 | 1 | 1 | 1 | 1 | 1 | 1 | 1 | 1 | 1 | | | | | | | | | | | | | | | | | | | | | |
| 2 | 3738520 | Säule links kpl. "vorgesezt" | Pillar left cpl. "75 mm to the front" | Triangle gauche cpl. "long" | 58.924-30-02-11 | | | | | | | | | | | | 1 | 1 | 1 | 1 | 1 | 1 | 1 | 1 | 1 | 1 | 1 | 1 | 1 | 1 | 1 | 1 | 1 | 1 | 1 | 1 | |
| 2 | 3738530 | Säule rechts kpl. "vorgesezt" | Pillar right cpl. "75 mm to the front" | Triangle droit cpl. "long" | 58.924-30-02-12 | | | | | | | | | | | | 1 | 1 | 1 | 1 | 1 | 1 | 1 | 1 | 1 | 1 | 1 | 1 | 1 | 1 | 1 | 1 | 1 | 1 | 1 | 1 | |
| 3 | 3597680 | Gewindebolzen | Bolt | Boulon | 58.725-03-01-00.1Z | | 1 | 1 | 1 | 1 | 1 | 1 | 1 | 1 | 1 | 1 | 1 | 1 | 1 | 1 | 1 | 1 | 1 | 1 | 1 | 1 | 1 | 1 | 1 | 1 | 1 | 1 | 1 | 1 | 1 | 1 | 1 |
| 4 | 3450930 | Keil | Wedge | Coin | 55.69-01-00.2 | | 1 | 1 | 1 | 1 | 1 | 1 | 1 | 1 | 1 | 1 | 1 | 1 | 1 | 1 | 1 | 1 | 1 | 1 | 1 | 1 | 1 | 1 | 1 | 1 | 1 | 1 | 1 | 1 | 1 | 1 | 1 |
| 5 | 3597400 | Griffbolzen links | Bolt left | Bouillon gauche | 58.725-03-01-00.2 | | 1 | 1 | 1 | 1 | 1 | 1 | 1 | 1 | 1 | 1 | 1 | 1 | 1 | 1 | 1 | 1 | 1 | 1 | 1 | 1 | 1 | 1 | 1 | 1 | 1 | 1 | 1 | 1 | 1 | 1 | 1 |
| 5 | 3597660 | Griffbolzen rechts | Bolt right | Bouillon droit | 58.725-03-01-00.3 | | 1 | 1 | 1 | 1 | 1 | 1 | 1 | 1 | 1 | 1 | 1 | 1 | 1 | 1 | 1 | 1 | 1 | 1 | 1 | 1 | 1 | 1 | 1 | 1 | 1 | 1 | 1 | 1 | 1 | 1 | 1 |
| 6 | 0443870 | Sechskantmutter | Nut | Ecrou | D439 | M16x1.5 | 1 | 1 | 1 | 1 | 1 | 1 | 1 | 1 | 1 | 1 | 1 | 1 | 1 | 1 | 1 | 1 | 1 | 1 | 1 | 1 | 1 | 1 | 1 | 1 | 1 | 1 | 1 | 1 | 1 | 1 | 1 |
| 7 | 0421610 | Kronenmutter | Nut | Ecrou | D979 | M16x1,5 | 1 | 1 | 1 | 1 | 1 | 1 | 1 | 1 | 1 | 1 | 1 | 1 | 1 | 1 | 1 | 1 | 1 | 1 | 1 | 1 | 1 | 1 | 1 | 1 | 1 | 1 | 1 | 1 | 1 | 1 | 1 |
| 8 | 1407240 | Spannstift | Pin | Goupille | | 5x28 | 1 | 1 | 1 | 1 | 1 | 1 | 1 | 1 | 1 | 1 | 1 | 1 | 1 | 1 | 1 | 1 | 1 | 1 | 1 | 1 | 1 | 1 | 1 | 1 | 1 | 1 | 1 | 1 | 1 | 1 | 1 |
| 9 | 0013050 | Spannstift | Pin | Goupille | | 4x28 | 1 | 1 | 1 | 1 | 1 | 1 | 1 | 1 | 1 | 1 | 1 | 1 | 1 | 1 | 1 | 1 | 1 | 1 | 1 | 1 | 1 | 1 | 1 | 1 | 1 | 1 | 1 | 1 | 1 | 1 | 1 |
| 10 | 1437020 | Tellerfeder | Cup spring | Rondelle ressort | | 31,5x16,5x0,8 | 8 | 8 | 8 | 8 | 8 | 8 | 8 | 8 | 8 | 8 | 8 | 8 | 8 | 8 | 8 | 8 | 8 | 8 | 8 | 8 | 8 | 8 | 8 | 8 | 8 | 8 | 8 | 8 | 8 | 8 | 8 |
| 11 | 1429180 | Halbrundgriff | Ball handle | Poignée sphérique | | | 2 | 2 | 2 | 2 | 2 | 2 | 2 | 2 | 2 | 2 | 2 | 2 | 2 | 2 | 2 | 2 | 2 | 2 | 2 | 2 | 2 | 2 | 2 | 2 | 2 | 2 | 2 | 2 | 2 | 2 | 2 |
| 12 | 3458330 | Kupplungshalter | Coupling support | Support pour coupleur | 58.725-04-01-01 | | 1 | 1 | 1 | 1 | 1 | 1 | 1 | 1 | 1 | 1 | 1 | 1 | 1 | 1 | 1 | 1 | 1 | 1 | 1 | 1 | 1 | 1 | 1 | 1 | 1 | 1 | 1 | 1 | 1 | 1 | 1 |
| 12.1 | 0011110 | Sechskantschraube | Screw | Vis | | M8x25 8.8 | 1 | 1 | 1 | 1 | 1 | 1 | 1 | 1 | 1 | 1 | 1 | 1 | 1 | 1 | 1 | 1 | 1 | 1 | 1 | 1 | 1 | 1 | 1 | 1 | 1 | 1 | 1 | 1 | 1 | 1 | 1 |
| 12.2 | 0011630 | Sechskantmutter | Nut | Ecrou | | M8 8 | 1 | 1 | 1 | 1 | 1 | 1 | 1 | 1 | 1 | 1 | 1 | 1 | 1 | 1 | 1 | 1 | 1 | 1 | 1 | 1 | 1 | 1 | 1 | 1 | 1 | 1 | 1 | 1 | 1 | 1 | 1 |
| 13 | 3733020 | Abdeckung Umlenkdreieck | Guard plate | Tôle de protection | 58.924-00.7 | | 2 | 2 | 2 | 2 | 2 | 2 | 2 | 2 | 2 | 2 | 2 | 2 | 2 | 2 | 2 | 2 | 2 | 2 | 2 | 2 | 2 | 2 | 2 | 2 | 2 | 2 | 2 | 2 | 2 | 2 | 2 |
| 13 | 3733040 | Abdeckung Umlenkdreieck | Guard plate | Tôle de protection | 58.932-00.7 | | | | | | | | | | | | | | | | | | | | | | | | | | | | | | | | |
| 14 | 1433210 | Stopfen | Plug | Bouchon | | TFC | 4 | 4 | 4 | 4 | 4 | 4 | 4 | 4 | 4 | 4 | 4 | 4 | 4 | 4 | 4 | 4 | 4 | 4 | 4 | 4 | 4 | 4 | 4 | 4 | 4 | 4 | 4 | 4 | 4 | 4 | |
| 15 | 3734380 | Umlenkdreieck links | Guide plate left | Plaque de pivot gauche | 58.926-10-03 | | 1 | 1 | 1 | 1 | 1 | 1 | 1 | 1 | 1 | 1 | 1 | 1 | 1 | 1 | 1 | 1 | 1 | 1 | 1 | 1 | 1 | 1 | 1 | 1 | 1 | 1 | 1 | 1 | 1 | 1 | 1 |
| 15 | 3734400 | Umlenkdreieck links | Guide plate left | Plaque de pivot gauche | 58.930-10-03 | | | | | | | | | | | | | | | | | | | | | | | | | | | | | | | | |
| 15 | 3758350 | Umlenkdreieck links | Guide plate left | Plaque de pivot gauche | 58.934-10-03 | | | | | | | | | | | | | | | | | | | | | | | | | | | | | | | | |
| 16 | 3734390 | Umlenkdreieck rechts | Guide plate right | Plaque de pivot droite | 58.926-10-04 | | 1 | 1 | 1 | 1 | 1 | 1 | 1 | 1 | 1 | 1 | 1 | 1 | 1 | 1 | 1 | 1 | 1 | 1 | 1 | 1 | 1 | 1 | 1 | 1 | 1 | 1 | 1 | 1 | 1 | 1 | 1 |
| 16 | 3734410 | Umlenkdreieck rechts | Guide plate right | Plaque de pivot droite | 58.930-10-04 | | | | | | | | | | | | | | | | | | | | | | | | | | | | | | | | |
| 16 | 3758360 | Umlenkdreieck rechts | Guide plate right | Plaque de pivot droite | 58.934-10-04 | | | | | | | | | | | | | | | | | | | | | | | | | | | | | | | | |
| 17 | 3735060 | Steuerstange | Control bar | Barre de parallélogramme | 58.924-08 | 1260 mm | 2 | 2 | 2 | 2 | 2 | 2 | 2 | 2 | 2 | 2 | 2 | 2 | 2 | 2 | 2 | 2 | 2 | 2 | 2 | 2 | 2 | 2 | 2 | 2 | 2 | 2 | 2 | 2 | 2 | 2 | |
| 17 | 3735070 | Steuerstange | Control bar | Barre de parallélogramme | 58.928-08 | 1350 mm | | | | | | | | | | | 2 | 2 | 2 | 2 | 2 | 2 | 2 | 2 | 2 | 2 | 2 | 2 | 2 | 2 | 2 | 2 | 2 | 2 | 2 | 2 | |
| 17 | 3735080 | Steuerstange | Control bar | Barre de parallélogramme | 58.930-08 | 1505 mm | | | | | | | | | | | | | | | | | | | | | | | | | | | | | | | |
| 17 | 3735090 | Steuerstange | Control bar | Barre de parallélogramme | 58.932-08 | 1600 mm | | | | | | | | | | | | | | | | | | | | | | | | | | | | | | | |

DE Grundschiwinge FZ

EN Basic frame FZ

FR Brancard FZ

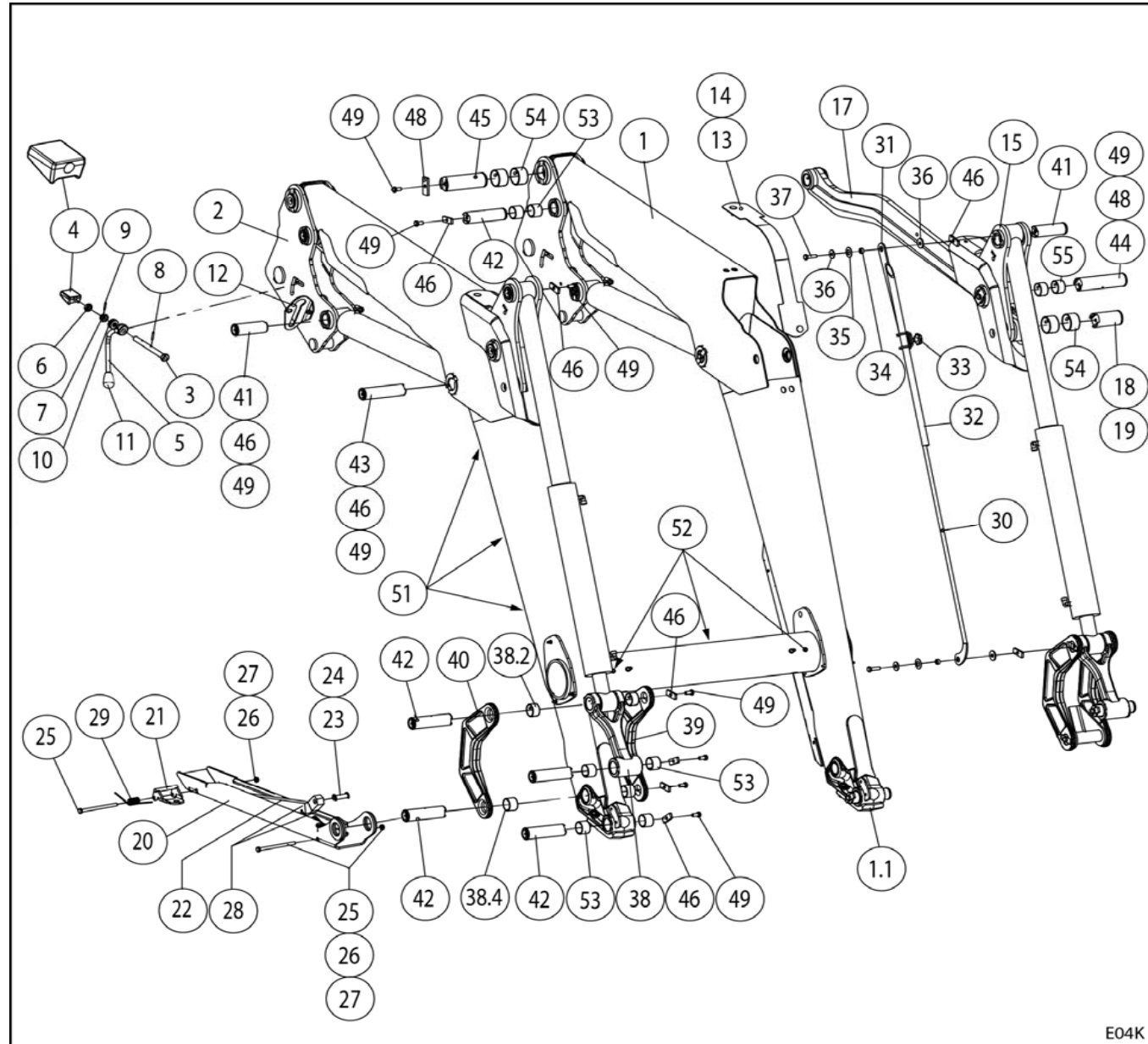


E04K

DE Grundschiwinge FZ

EN Basic frame FZ

FR Brancard FZ



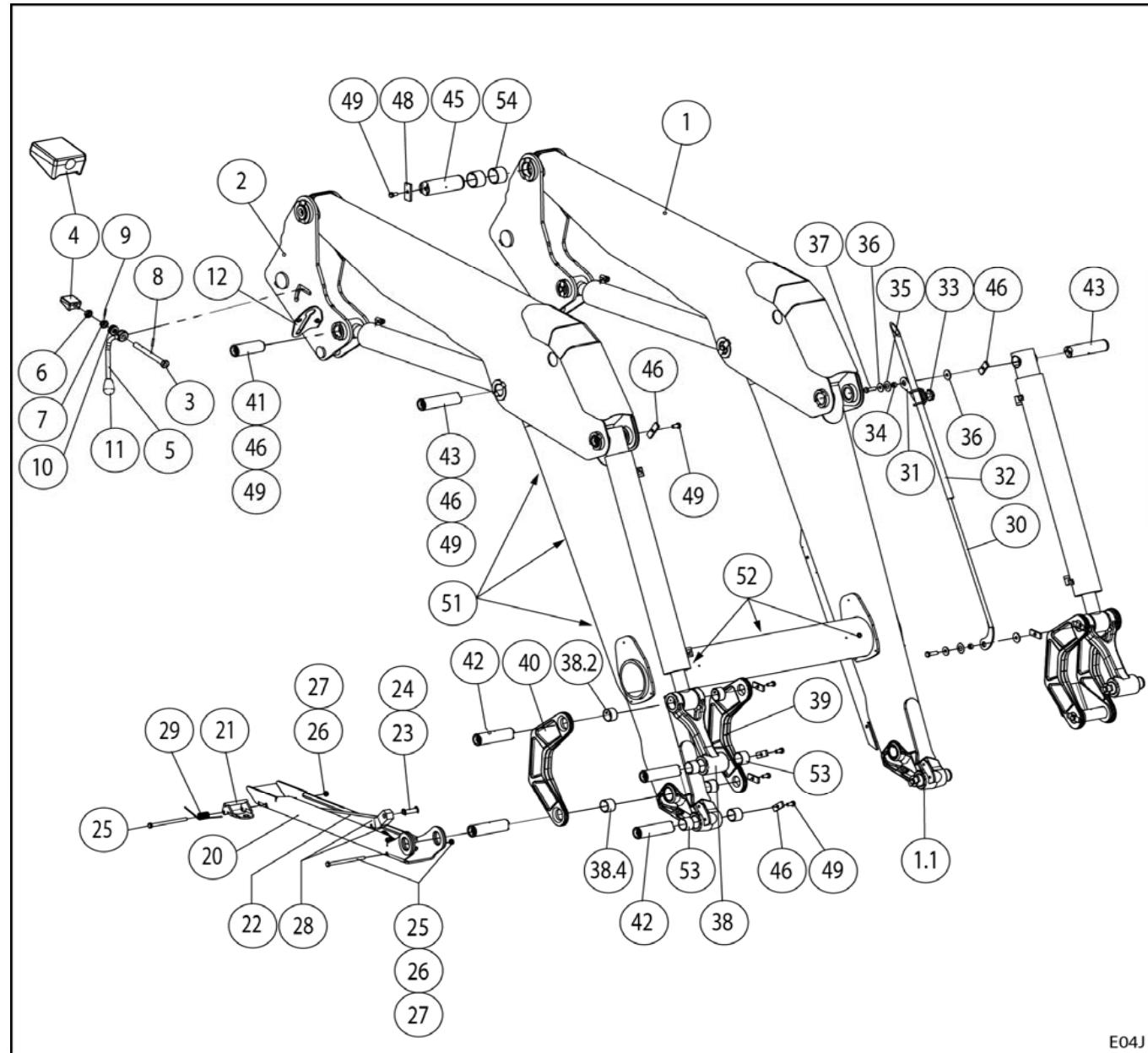
E04K

| E04K | | Grundschwinge FZ | Basic frame FZ | Brancard FZ | ProfiLine FZ | | | | | | | | | | | | | | | | | | | | | | | | | | | | | | | | | |
|------|-------------|--------------------|----------------|----------------|----------------|--------------|----------|------------|----------|------------|----------|------------|----------|------------|----------|------------|----------|------------|----------|------------|----------|------------|----------|------------|----------|------------|----------|------------|------------|------------|------------|------------|------------|------------|----|----|----|----|
| Pos. | Bestell-Nr. | Benennung | Description | Désignation | Zeichnungsnr. | SIZE/MASS | FZ 36-20 | FZ 36-20.1 | FZ 36-24 | FZ 36-24.1 | FZ 39-23 | FZ 39-23.1 | FZ 39-27 | FZ 39-27.1 | FZ 39-31 | FZ 39-31.1 | FZ 41-25 | FZ 41-25.1 | FZ 41-29 | FZ 41-29.1 | FZ 41-33 | FZ 41-33.1 | FZ 43-27 | FZ 43-27.1 | FZ 43-30 | FZ 43-30.1 | FZ 43-34 | FZ 43-34.1 | FZ 46-26.1 | FZ 46-29.1 | FZ 46-33.1 | FZ 48-33.1 | FZ 48-37.1 | FZ 48-42.1 | | | | |
| 42 | 3714620 | Bolzen kpl. | Bolt cpl | Boulon cpl | 58.921-11-02 | 40x143 | 10 | 10 | 10 | 10 | 10 | 10 | 10 | 10 | 10 | 10 | 10 | 10 | 10 | 10 | 10 | 10 | 10 | 10 | 10 | 10 | 10 | 10 | 10 | 10 | 10 | 10 | 10 | 10 | 10 | 10 | | |
| 42.1 | | Bolzen | Bolt | Boulon | 58.921-11-02.1 | | 1 | 1 | 1 | 1 | 1 | 1 | 1 | 1 | 1 | 1 | 1 | 1 | 1 | 1 | 1 | 1 | 1 | 1 | 1 | 1 | 1 | 1 | 1 | 1 | 1 | 1 | 1 | 1 | 1 | 1 | | |
| 42.2 | 1429020 | Sprengring | Snap ring | Anneau d'arrêt | | A40 | 1 | 1 | 1 | 1 | 1 | 1 | 1 | 1 | 1 | 1 | 1 | 1 | 1 | 1 | 1 | 1 | 1 | 1 | 1 | 1 | 1 | 1 | 1 | 1 | 1 | 1 | 1 | 1 | 1 | 1 | | |
| 42.3 | 0015170 | Schmiernippel | Grease nipple | Graisneur | | AM8x1 | 1 | 1 | 1 | 1 | 1 | 1 | 1 | 1 | 1 | 1 | 1 | 1 | 1 | 1 | 1 | 1 | 1 | 1 | 1 | 1 | 1 | 1 | 1 | 1 | 1 | 1 | 1 | 1 | 1 | 1 | | |
| 43 | 3714630 | Bolzen kpl. | Bolt cpl | Boulon cpl | 58.921-11-03 | 40x154 | 2 | 2 | 2 | 2 | 2 | 2 | 2 | 2 | 2 | 2 | 2 | 2 | 2 | 2 | 2 | 2 | 2 | 2 | 2 | 2 | 2 | 2 | 2 | 2 | 2 | 2 | 2 | 2 | 2 | 2 | | |
| 43.1 | | Bolzen | Bolt | Boulon | 58.921-11-03.1 | | 1 | 1 | 1 | 1 | 1 | 1 | 1 | 1 | 1 | 1 | 1 | 1 | 1 | 1 | 1 | 1 | 1 | 1 | 1 | 1 | 1 | 1 | 1 | 1 | 1 | 1 | 1 | 1 | 1 | 1 | | |
| 43.2 | 1429020 | Sprengring | Snap ring | Anneau d'arrêt | | A40 | 1 | 1 | 1 | 1 | 1 | 1 | 1 | 1 | 1 | 1 | 1 | 1 | 1 | 1 | 1 | 1 | 1 | 1 | 1 | 1 | 1 | 1 | 1 | 1 | 1 | 1 | 1 | 1 | 1 | 1 | | |
| 43.3 | 0015170 | Schmiernippel | Grease nipple | Graisneur | | AM8x1 | 1 | 1 | 1 | 1 | 1 | 1 | 1 | 1 | 1 | 1 | 1 | 1 | 1 | 1 | 1 | 1 | 1 | 1 | 1 | 1 | 1 | 1 | 1 | 1 | 1 | 1 | 1 | 1 | 1 | 1 | 1 | |
| 44 | 3714640 | Bolzen kpl. | Bolt cpl | Boulon cpl | 58.921-11-05 | 45x171 | 2 | 2 | 2 | 2 | 2 | 2 | 2 | 2 | 2 | 2 | 2 | 2 | 2 | 2 | 2 | 2 | 2 | 2 | 2 | 2 | 2 | 2 | 2 | 2 | 2 | 2 | 2 | 2 | 2 | 2 | 2 | |
| 44.1 | | Bolzen | Bolt | Boulon | 58.921-11-05.1 | | 1 | 1 | 1 | 1 | 1 | 1 | 1 | 1 | 1 | 1 | 1 | 1 | 1 | 1 | 1 | 1 | 1 | 1 | 1 | 1 | 1 | 1 | 1 | 1 | 1 | 1 | 1 | 1 | 1 | 1 | 1 | |
| 44.2 | 1430390 | Sprengring | Snap ring | Anneau d'arrêt | | A45 | 1 | 1 | 1 | 1 | 1 | 1 | 1 | 1 | 1 | 1 | 1 | 1 | 1 | 1 | 1 | 1 | 1 | 1 | 1 | 1 | 1 | 1 | 1 | 1 | 1 | 1 | 1 | 1 | 1 | 1 | 1 | |
| 44.3 | 0015170 | Schmiernippel | Grease nipple | Graisneur | | AM8x1 | 1 | 1 | 1 | 1 | 1 | 1 | 1 | 1 | 1 | 1 | 1 | 1 | 1 | 1 | 1 | 1 | 1 | 1 | 1 | 1 | 1 | 1 | 1 | 1 | 1 | 1 | 1 | 1 | 1 | 1 | 1 | 1 |
| 45 | 3761900 | Bolzen kpl. | Bolt cpl | Boulon cpl | 58.921-11-09 | 50x148 | 2 | 2 | 2 | 2 | 2 | 2 | 2 | 2 | 2 | 2 | 2 | 2 | 2 | 2 | 2 | 2 | 2 | 2 | 2 | 2 | 2 | 2 | 2 | 2 | 2 | 2 | 2 | 2 | 2 | 2 | 2 | |
| 45.1 | | Bolzen | Bolt | Boulon | 58.921-11-08.1 | | 1 | 1 | 1 | 1 | 1 | 1 | 1 | 1 | 1 | 1 | 1 | 1 | 1 | 1 | 1 | 1 | 1 | 1 | 1 | 1 | 1 | 1 | 1 | 1 | 1 | 1 | 1 | 1 | 1 | 1 | 1 | 1 |
| 45.2 | 1429030 | Sprengring | Snap ring | Anneau d'arrêt | | A50 | 1 | 1 | 1 | 1 | 1 | 1 | 1 | 1 | 1 | 1 | 1 | 1 | 1 | 1 | 1 | 1 | 1 | 1 | 1 | 1 | 1 | 1 | 1 | 1 | 1 | 1 | 1 | 1 | 1 | 1 | 1 | 1 |
| 45.3 | 0015170 | Schmiernippel | Grease nipple | Graisneur | | AM8x1 | 1 | 1 | 1 | 1 | 1 | 1 | 1 | 1 | 1 | 1 | 1 | 1 | 1 | 1 | 1 | 1 | 1 | 1 | 1 | 1 | 1 | 1 | 1 | 1 | 1 | 1 | 1 | 1 | 1 | 1 | 1 | 1 |
| 46 | 3457060 | Sicherung | Locking device | Plaque d'arrêt | 58.725-11-00.2 | 55x19,5x6 | 16 | 16 | 16 | 16 | 16 | 16 | 16 | 16 | 16 | 16 | 16 | 16 | 16 | 16 | 16 | 16 | 16 | 16 | 16 | 16 | 16 | 16 | 16 | 16 | 16 | 16 | 16 | 16 | 16 | 16 | 16 | |
| 48 | 3733370 | Sicherung | Locking device | Plaque d'arrêt | 58.921-11-00.1 | 62x29,5x6 | 4 | 4 | 4 | 4 | 4 | 4 | 4 | 4 | 4 | 4 | 4 | 4 | 4 | 4 | 4 | 4 | 4 | 4 | 4 | 4 | 4 | 4 | 4 | 4 | 4 | 4 | 4 | 4 | 4 | 4 | 4 | |
| 49 | 2540420 | Sechskantschraube | Screw | Vis | | M10x20 8.8VP | 18 | 18 | 18 | 18 | 18 | 18 | 18 | 18 | 18 | 18 | 18 | 18 | 18 | 18 | 18 | 18 | 18 | 18 | 18 | 18 | 18 | 18 | 18 | 18 | 18 | 18 | 18 | 18 | 18 | 18 | 18 | |
| 50 | 0205790 | Schutzkappe Form A | Dust cap | Capuchon | GPN 1300 | | 26 | 26 | 26 | 26 | 26 | 26 | 26 | 26 | 26 | 26 | 26 | 26 | 26 | 26 | 26 | 26 | 26 | 26 | 26 | 26 | 26 | 26 | 26 | 26 | 26 | 26 | 26 | 26 | 26 | 26 | | |
| 51 | 1428960 | Blindnietmutter | Nut | Ecrou | | M6 | 6 | 6 | 6 | 6 | 6 | 6 | 6 | 6 | 6 | 6 | 6 | 6 | 6 | 6 | 6 | 6 | 6 | 6 | 6 | 6 | 6 | 6 | 6 | 6 | 6 | 6 | 6 | 6 | 6 | 6 | 6 | |
| 51 | 1433430 | Blindnietmutter | Nut | Ecrou | | M6 | 12 | 12 | 12 | 12 | 12 | 12 | 12 | 12 | 12 | 12 | 12 | 12 | 12 | 12 | 12 | 12 | 12 | 12 | 12 | 12 | 12 | 12 | 12 | 12 | 12 | 12 | 12 | 12 | 12 | 12 | 12 | 12 |
| 52 | 1428980 | Blindnietmutter | Nut | Ecrou | | M8 | 7 | 7 | 7 | 7 | 7 | 7 | 7 | 7 | 7 | 7 | 7 | 7 | 7 | 7 | 7 | 7 | 7 | 7 | 7 | 7 | 7 | 7 | 7 | 7 | 7 | 7 | 7 | 7 | 7 | 7 | 7 | 7 |
| 53 | 0480730 | Verbundstoffbuchse | Bush | Douille | | 4030DX | 12 | 12 | 12 | 12 | 12 | 12 | 12 | 12 | 12 | 12 | 12 | 12 | 12 | 12 | 12 | 12 | 12 | 12 | 12 | 12 | 12 | 12 | 12 | 12 | 12 | 12 | 12 | 12 | 12 | 12 | 12 | |
| 54 | 1428990 | Verbundstoffbuchse | Bush | Douille | | 5030DX | 8 | 8 | 8 | 8 | 8 | 8 | 8 | 8 | 8 | 8 | 8 | 8 | 8 | 8 | 8 | 8 | 8 | 8 | 8 | 8 | 8 | 8 | 8 | 8 | 8 | 8 | 8 | 8 | 8 | 8 | 8 | 8 |
| 55 | 0480740 | Verbundstoffbuchse | Bush | Douille | | 4530DX | 4 | 4 | 4 | 4 | 4 | 4 | 4 | 4 | 4 | 4 | 4 | 4 | 4 | 4 | 4 | 4 | 4 | 4 | 4 | 4 | 4 | 4 | 4 | 4 | 4 | 4 | 4 | 4 | 4 | 4 | 4 | 4 |

DE Grundschwinge FS

EN Basic frame FS

FR Brancard FS

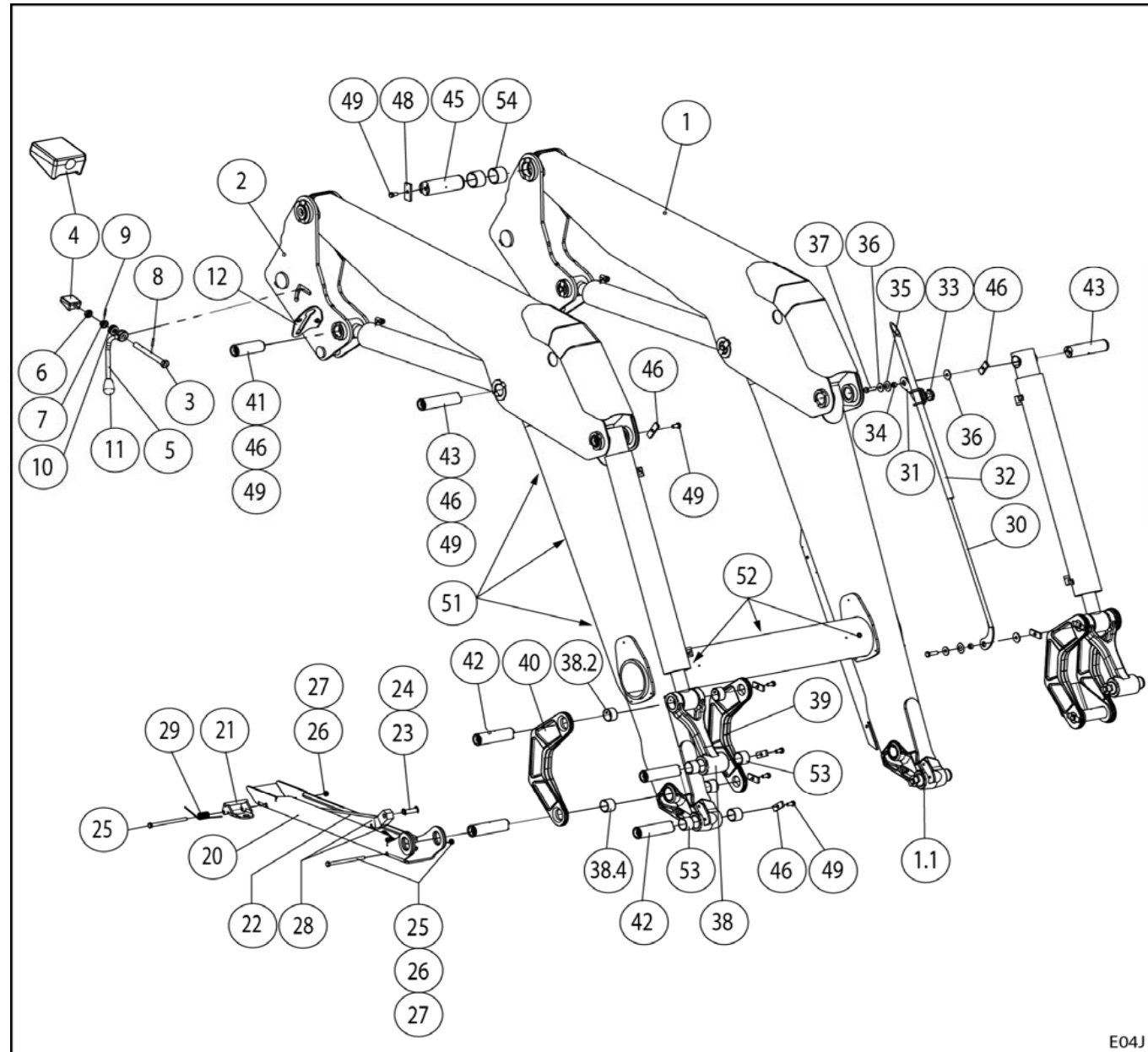


| E04J | | Grundschwinge FS | Basic frame FS | Brancard FS | ProfiLine FS | | | | | | | | | | | |
|------|-------------|-------------------------------|--|---------------------------------|--------------------|---------------|----------|------------|----------|------------|----------|------------|----------|------------|----------|------------|
| Pos. | Bestell-Nr. | Benennung | Description | Désignation | Zeichnungsnr. | SIZE/MASS | FS 36-24 | FS 36-24.1 | FS 39-27 | FS 39-27.1 | FS 39-31 | FS 39-31.1 | FS 41-33 | FS 41-33.1 | FS 43-34 | FS 43-34.1 |
| 1 | 3727950 | Schwinge gsw | Beam welded | Brancard soudé | 58.925-02-01 | | - | 1 | - | - | - | - | - | - | - | - |
| 1 | 3728070 | Schwinge gsw | Beam welded | Brancard soudé | 58.927-01-01 | | - | - | 1 | - | 1 | - | - | - | - | - |
| 1 | 3728180 | Schwinge gsw | Beam welded | Brancard soudé | 58.927-02-01 | | - | - | - | 1 | - | 1 | - | - | - | - |
| 1 | 3728190 | Schwinge gsw | Beam welded | Brancard soudé | 58.929-01-01 | | - | - | - | - | - | - | 1 | - | - | - |
| 1 | 3728280 | Schwinge gsw | Beam welded | Brancard soudé | 58.929-02-01 | | - | - | - | - | - | - | - | 1 | - | - |
| 1 | 3726950 | Schwinge gsw | Beam welded | Brancard soudé | 58.931-01-01 | | - | - | - | - | - | - | - | - | 1 | - |
| 1 | 3726960 | Schwinge gsw | Beam welded | Brancard soudé | 58.931-02-01 | | - | - | - | - | - | - | - | - | - | 1 |
| 1.1 | 3733270 | Nachrüstung Verschleißkufen | Refitting wear skids | Patins d'usure Rétrofit | 58.932-88-01 | | 1 | 1 | 1 | 1 | 1 | 1 | 1 | 1 | 1 | 1 |
| 2 | 3738730 | Säule links kpl. "Standard" | Pillar left cpl. "standard" | Triangle gauche cpl. "standard" | 58.925-30-26-11 | | 1 | 1 | 1 | 1 | 1 | 1 | - | - | - | - |
| 2 | 3738740 | Säule rechts kpl. "Standard" | Pillar right cpl. "standard" | Triangle droit cpl. "standard" | 58.925-30-26-12 | | 1 | 1 | 1 | 1 | 1 | 1 | - | - | - | - |
| 2 | 3738640 | Säule links kpl. "Standard" | Pillar left cpl. "standard" | Triangle gauche cpl. "standard" | 58.925-30-06-11 | | - | - | - | - | - | - | 1 | 1 | 1 | 1 |
| 2 | 3738650 | Säule rechts kpl. "Standard" | Pillar right cpl. "standard" | Triangle droit cpl. "standard" | 58.925-30-06-12 | | - | - | - | - | - | - | 1 | 1 | 1 | 1 |
| 2 | 3738750 | Säule links kpl. "vorgesezt" | Pillar left cpl. "75 mm to the front" | Triangle gauche cpl. "long" | 58.925-30-27-11 | | 1 | 1 | 1 | 1 | 1 | 1 | - | - | - | - |
| 2 | 3738760 | Säule rechts kpl. "vorgesezt" | Pillar right cpl. "75 mm to the front" | Triangle droit cpl. "long" | 58.925-30-27-12 | | 1 | 1 | 1 | 1 | 1 | 1 | - | - | - | - |
| 2 | 3738660 | Säule links kpl. "vorgesezt" | Pillar left cpl. "75 mm to the front" | Triangle gauche cpl. "long" | 58.925-30-07-11 | | - | - | - | - | - | - | 1 | 1 | - | - |
| 2 | 3738670 | Säule rechts kpl. "vorgesezt" | Pillar right cpl. "75 mm to the front" | Triangle droit cpl. "long" | 58.925-30-07-12 | | - | - | - | - | - | - | 1 | 1 | - | - |
| 3 | 3597680 | Gewindebolzen | Bolt | Boulon | 58.725-03-01-00.1Z | | 1 | 1 | 1 | 1 | 1 | 1 | 1 | 1 | 1 | 1 |
| 4 | 3450930 | Keil | Wedge | Coin | 55.69-01-00.2 | | 1 | 1 | 1 | 1 | 1 | 1 | 1 | 1 | 1 | 1 |
| 5 | 3597400 | Griffbolzen links | Bolt left | Boulon gauche | 58.725-03-01-00.2 | | 1 | 1 | 1 | 1 | 1 | 1 | 1 | 1 | 1 | 1 |
| 5 | 3597660 | Griffbolzen rechts | Bolt right | Boulon droit | 58.725-03-01-00.3 | | 1 | 1 | 1 | 1 | 1 | 1 | 1 | 1 | 1 | 1 |
| 6 | 0443870 | Sechskantmutter | Nut | Ecrou | D439 | M16x1.5 | 1 | 1 | 1 | 1 | 1 | 1 | 1 | 1 | 1 | 1 |
| 7 | 0421610 | Kronenmutter | Nut | Ecrou | D979 | M16x1,5 | 1 | 1 | 1 | 1 | 1 | 1 | 1 | 1 | 1 | 1 |
| 8 | 1407240 | Spannstift | Pin | Goupille | | 5x28 | 1 | 1 | 1 | 1 | 1 | 1 | 1 | 1 | 1 | 1 |
| 9 | 0013050 | Spannstift | Pin | Goupille | | 4x28 | 1 | 1 | 1 | 1 | 1 | 1 | 1 | 1 | 1 | 1 |
| 10 | 1437020 | Tellerfeder | Cup spring | Rondelle ressort | | 31,5x16,5x0,8 | 8 | 8 | 8 | 8 | 8 | 8 | 8 | 8 | 8 | 8 |
| 11 | 1429180 | Halbrundgriff | Ball handle | Poignée sphérique | | | 2 | 2 | 2 | 2 | 2 | 2 | 2 | 2 | 2 | 2 |
| 12 | 3458330 | Kupplungshalter | Coupling support | Support pour coupleur | 58.725-04-01-01 | | 1 | 1 | 1 | 1 | 1 | 1 | 1 | 1 | 1 | 1 |
| 12.1 | 0011110 | Sechskantschraube | Screw | Vis | | M8x25 8.8 | 1 | 1 | 1 | 1 | 1 | 1 | 1 | 1 | 1 | 1 |
| 12.2 | 0011630 | Sechskantmutter | Nut | Ecrou | | M8 8 | 1 | 1 | 1 | 1 | 1 | 1 | 1 | 1 | 1 | 1 |
| 20 | 3757090 | Abstellstütze | Prop stand | Béquille | 58.926-15-01 | | 2 | 2 | 2 | 2 | 2 | 2 | - | - | - | - |
| 20 | 3720080 | Abstellstütze | Prop stand | Béquille | 58.928-15-01 | | - | - | - | - | - | - | 2 | 2 | 2 | 2 |

DE Grundschwinge FS

EN Basic frame FS

FR Brancard FS

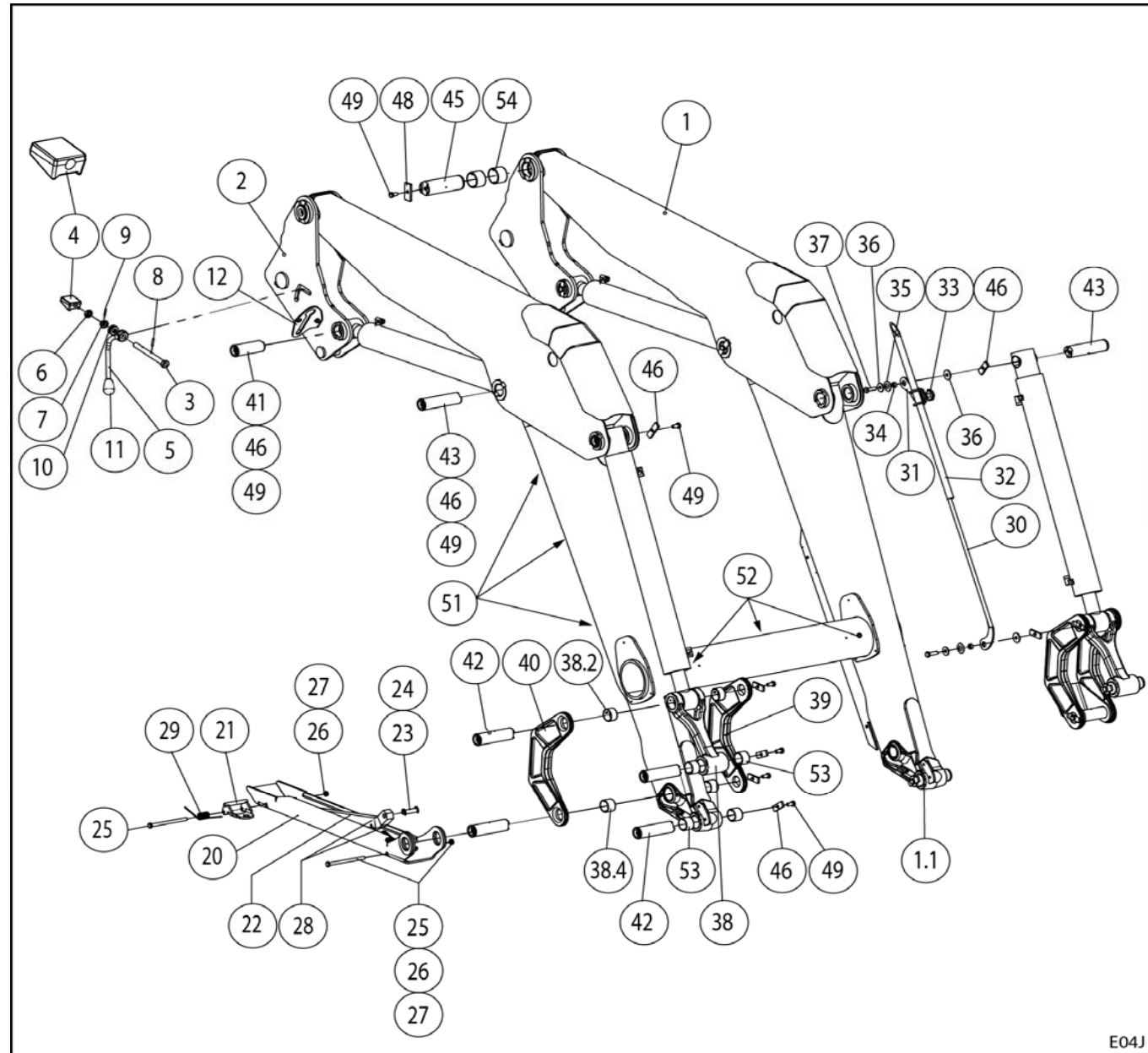


| E04J | | Grundschwinge FS | Basic frame FS | Brancard FS | ProfiLine FS | | | | | | | | | | | |
|-------|-------------|--------------------|-------------------|------------------------|-------------------|--------------|----------|------------|----------|------------|----------|------------|----------|------------|----------|------------|
| Pos. | Bestell-Nr. | Benennung | Description | Désignation | Zeichnungsnr. | SIZE/MASS | FS 36-24 | FS 36-24.1 | FS 39-27 | FS 39-27.1 | FS 39-31 | FS 39-31.1 | FS 41-33 | FS 41-33.1 | FS 43-34 | FS 43-34.1 |
| 21 | 3543330 | Verriegelungshaken | Uplock hook | Loquet de verrouillage | 58.725-15-00.5 | | 2 | 2 | 2 | 2 | 2 | 2 | 2 | 2 | 2 | 2 |
| 22 | 3454310 | Arretierung | Locking | Dispositif d'arrêt | 58.725-15-00.1 | | 2 | 2 | 2 | 2 | 2 | 2 | - | - | - | - |
| 22 | 3454320 | Arretierung | Locking | Dispositif d'arrêt | 58.727-15-00.1 | | - | - | - | - | - | - | 2 | 2 | 2 | 2 |
| 23 | 3661030 | Bolzen | Bolt | Boulon | 58.725-15-00.12 | | 2 | 2 | 2 | 2 | 2 | 2 | 2 | 2 | 2 | 2 |
| 24 | 1637070 | Sicherungscheibe | Locking device | Rondelle | | S10 | 2 | 2 | 2 | 2 | 2 | 2 | 2 | 2 | 2 | 2 |
| 25 | 0060580 | Sechskantschraube | Screw | Vis | | M8x100 8.8 | 4 | 4 | 4 | 4 | 4 | 4 | 4 | 4 | 4 | 4 |
| 26 | 0200600 | Sicherungsmutter | Self locking nut | Ecrou autofreiné | | NM8 8 | 4 | 4 | 4 | 4 | 4 | 4 | 4 | 4 | 4 | 4 |
| 27 | 0426650 | Scheibe | Washer | Rondelle | | A8,4 | 8 | 8 | 8 | 8 | 8 | 8 | 8 | 8 | 8 | 8 |
| 28 | 3480150 | Zugfeder | Spring | Ressort | 58.725-15-00.4 | 2x14.5x160 | 2 | 2 | 2 | 2 | 2 | 2 | 2 | 2 | 2 | 2 |
| 29 | 1429150 | Schenkelfeder | Leg spring | Ressort de loquet | | EN4494-160 | 2 | 2 | 2 | 2 | 2 | 2 | 2 | 2 | 2 | 2 |
| 30 | 3465580 | Sichtanzeige | Sight indicator | Indicateur de niveau | 58.738-22-01 | | 1 | 1 | 1 | 1 | 1 | 1 | 1 | 1 | 1 | 1 |
| 31 | 3457010 | Rohrhalter | Pipe support | Cadre support tuyau | 58.725-22-02-00.1 | | 1 | 1 | 1 | 1 | 1 | 1 | 1 | 1 | 1 | 1 |
| 32 | 3646010 | Rohr | Tube | Tube | 58.800-20-02-00.2 | | 1 | 1 | 1 | 1 | 1 | 1 | 1 | 1 | 1 | 1 |
| 33 | 1429600 | Sterngriff | Star handle | Poignée-étoile | | | 1 | 1 | 1 | 1 | 1 | 1 | 1 | 1 | 1 | 1 |
| 33.1 | 3714520 | Klemmplatte | Plate | Plaque | 58.725-22-02-00.5 | | 1 | 1 | 1 | 1 | 1 | 1 | 1 | 1 | 1 | 1 |
| 34 | 3457030 | Führungsbuchse | Bush | Douille | 58.737-22-02-00.2 | | 2 | 2 | 2 | 2 | 2 | 2 | 2 | 2 | 2 | 2 |
| 35 | 1607800 | Tellerfeder | Cup spring | Rondelle ressort | 99.83-00.70 Z | | 2 | 2 | 2 | 2 | 2 | 2 | 2 | 2 | 2 | 2 |
| 36 | 0014110 | Scheibe | Washer | Rondelle | | A10,5 | 4 | 4 | 4 | 4 | 4 | 4 | 4 | 4 | 4 | 4 |
| 37 | 2599730 | Sechskantschraube | Screw | Vis | | M10x35 8.8VP | 2 | 2 | 2 | 2 | 2 | 2 | 2 | 2 | 2 | 2 |
| 38a | 3713130 | Doppelhebel kpl. | Double lever cpl. | Levier double cpl. | 58.924-16 | | 2 | 2 | 2 | 2 | 2 | 2 | 2 | 2 | 2 | 2 |
| 38.1a | | Doppelhebel | Double lever | Levier double | 58.924-16-00.1 | | 1 | 1 | 1 | 1 | 1 | 1 | 1 | 1 | 1 | 1 |
| 38.2a | 1422610 | Verbundstoffbuchse | Bush | Douille | | 4025DX | 2 | 2 | 2 | 2 | 2 | 2 | 2 | 2 | 2 | 2 |
| 38.3a | 0406590 | Schmiernippel | Grease nipple | Graisseur | | | 2 | 2 | 2 | 2 | 2 | 2 | 2 | 2 | 2 | 2 |
| 38.4a | 0480730 | Verbundstoffbuchse | Bush | Douille | | 4030DX | 2 | 2 | 2 | 2 | 2 | 2 | 2 | 2 | 2 | 2 |
| 39 | 3713860 | Hebel innen | Lever inside | Levier intérieur | 58.921-00.11 | Ø40 mm | 2 | 2 | 2 | 2 | 2 | 2 | 2 | 2 | 2 | 2 |
| 40 | 3713820 | Hebel außen | Lever outside | Levier extérieur | 58.921-00.10 | Ø40 mm | 2 | 2 | 2 | 2 | 2 | 2 | 2 | 2 | 2 | 2 |
| 41 | 3714610 | Bolzen kpl. | Bolt cpl | Boulon cpl | 58.921-11-01 | 40x114 | 2 | 2 | 2 | 2 | 2 | 2 | 2 | 2 | 2 | 2 |
| 41.1 | | Bolzen | Bolt | Boulon | 58.921-11-01.1 | | 1 | 1 | 1 | 1 | 1 | 1 | 1 | 1 | 1 | 1 |
| 41.2 | 1429020 | Sprengring | Snap ring | Anneau d'arrêt | | A40 | 1 | 1 | 1 | 1 | 1 | 1 | 1 | 1 | 1 | 1 |
| 41.3 | 0015170 | Schmiernippel | Grease nipple | Graisseur | | AM8x1 | 1 | 1 | 1 | 1 | 1 | 1 | 1 | 1 | 1 | 1 |

DE Grundschwinge FS

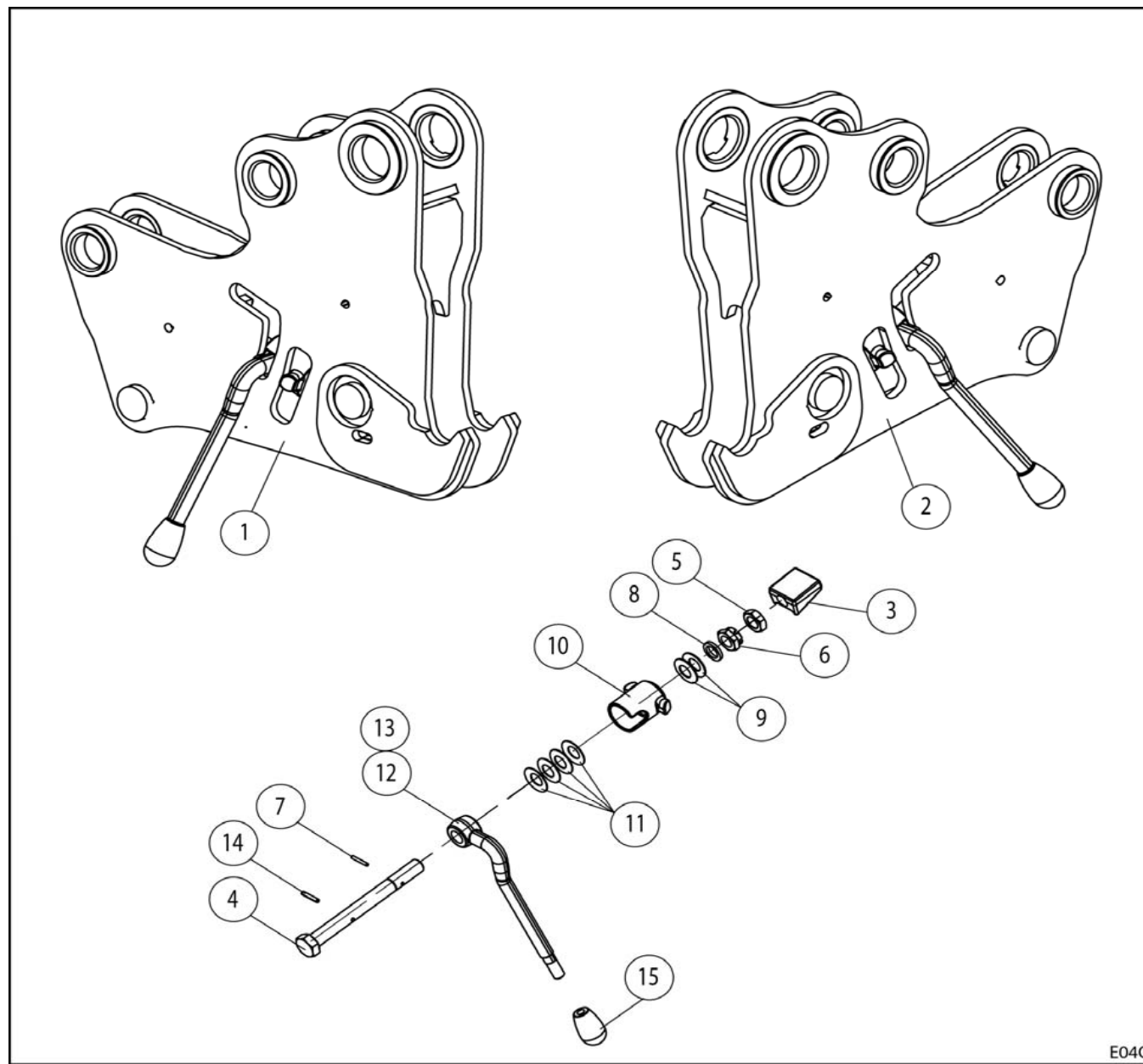
EN Basic frame FS

FR Brancard FS



| E04J | | Grundschwinge FS | Basic frame FS | Brancard FS | ProfiLine FS | | | | | | | | | | | |
|------|-------------|--------------------|----------------|----------------|----------------|--------------|----------|------------|----------|------------|----------|------------|----------|------------|----------|------------|
| Pos. | Bestell-Nr. | Benennung | Description | Désignation | Zeichnungsnr. | SIZE/MASS | FS 36-24 | FS 36-24.1 | FS 39-27 | FS 39-27.1 | FS 39-31 | FS 39-31.1 | FS 41-33 | FS 41-33.1 | FS 43-34 | FS 43-34.1 |
| 42 | 3714620 | Bolzen kpl. | Bolt cpl | Boulon cpl | 58.921-11-02 | 40x143 | 8 | 8 | 8 | 8 | 8 | 8 | 8 | 8 | 8 | 8 |
| 42.1 | | Bolzen | Bolt | Boulon | 58.921-11-02.1 | | 1 | 1 | 1 | 1 | 1 | 1 | 1 | 1 | 1 | 1 |
| 42.2 | 1429020 | Sprengring | Snap ring | Anneau d'arrêt | | A40 | 1 | 1 | 1 | 1 | 1 | 1 | 1 | 1 | 1 | 1 |
| 42.3 | 0015170 | Schmiernippel | Grease nipple | Graisseur | | AM8x1 | 1 | 1 | 1 | 1 | 1 | 1 | 1 | 1 | 1 | 1 |
| 43 | 3714630 | Bolzen kpl. | Bolt cpl | Boulon cpl | 58.921-11-03 | 40x154 | 4 | 4 | 4 | 4 | 4 | 4 | 4 | 4 | 4 | 4 |
| 43.1 | | Bolzen | Bolt | Boulon | 58.921-11-03.1 | | 1 | 1 | 1 | 1 | 1 | 1 | 1 | 1 | 1 | 1 |
| 43.2 | 1429020 | Sprengring | Snap ring | Anneau d'arrêt | | A40 | 1 | 1 | 1 | 1 | 1 | 1 | 1 | 1 | 1 | 1 |
| 43.3 | 0015170 | Schmiernippel | Grease nipple | Graisseur | | AM8x1 | 1 | 1 | 1 | 1 | 1 | 1 | 1 | 1 | 1 | 1 |
| 45 | 3761900 | Bolzen kpl. | Bolt cpl | Boulon cpl | 58.921-11-09 | 50x148 | 2 | 2 | 2 | 2 | 2 | 2 | 2 | 2 | 2 | 2 |
| 45.1 | | Bolzen | Bolt | Boulon | 58.921-11-08.1 | | 1 | 1 | 1 | 1 | 1 | 1 | 1 | 1 | 1 | 1 |
| 45.2 | 1429030 | Sprengring | Snap ring | Anneau d'arrêt | | A50 | 1 | 1 | 1 | 1 | 1 | 1 | 1 | 1 | 1 | 1 |
| 45.3 | 0015170 | Schmiernippel | Grease nipple | Graisseur | | AM8x1 | 1 | 1 | 1 | 1 | 1 | 1 | 1 | 1 | 1 | 1 |
| 46 | 3457060 | Sicherung | Locking device | Plaque d'arrêt | 58.725-11-00.2 | 55x19,5x6 | 14 | 14 | 14 | 14 | 14 | 14 | 14 | 14 | 14 | 14 |
| 48 | 3733370 | Sicherung | Locking device | Plaque d'arrêt | 58.921-11-00.1 | 62x29,5x6 | 2 | 2 | 2 | 2 | 2 | 2 | 2 | 2 | 2 | 2 |
| 49 | 2540420 | Sechskantschraube | Screw | Vis | | M10x20 8.8VP | 14 | 14 | 14 | 14 | 14 | 14 | 14 | 14 | 14 | 14 |
| 50 | 0205790 | Schutzkappe Form A | Dust cap | Capuchon | GPN 1300 | | 20 | 20 | 20 | 20 | 20 | 20 | 20 | 20 | 20 | 20 |
| 51 | 1428960 | Blindnietmutter | Nut | Ecrou | | M6 | 8 | 8 | 8 | 8 | 8 | 8 | 6 | 6 | 6 | 6 |
| 52 | 1428980 | Blindnietmutter | Nut | Ecrou | | M8 | 7 | 7 | 7 | 7 | 7 | 7 | 7 | 7 | 7 | 7 |
| 53 | 0480730 | Verbundstoffbuchse | Bush | Douille | | 4030DX | 8 | 8 | 8 | 8 | 8 | 8 | 8 | 8 | 8 | 8 |
| 54 | 1428990 | Verbundstoffbuchse | Bush | Douille | | 5030DX | 4 | 4 | 4 | 4 | 4 | 4 | 4 | 4 | 4 | 4 |

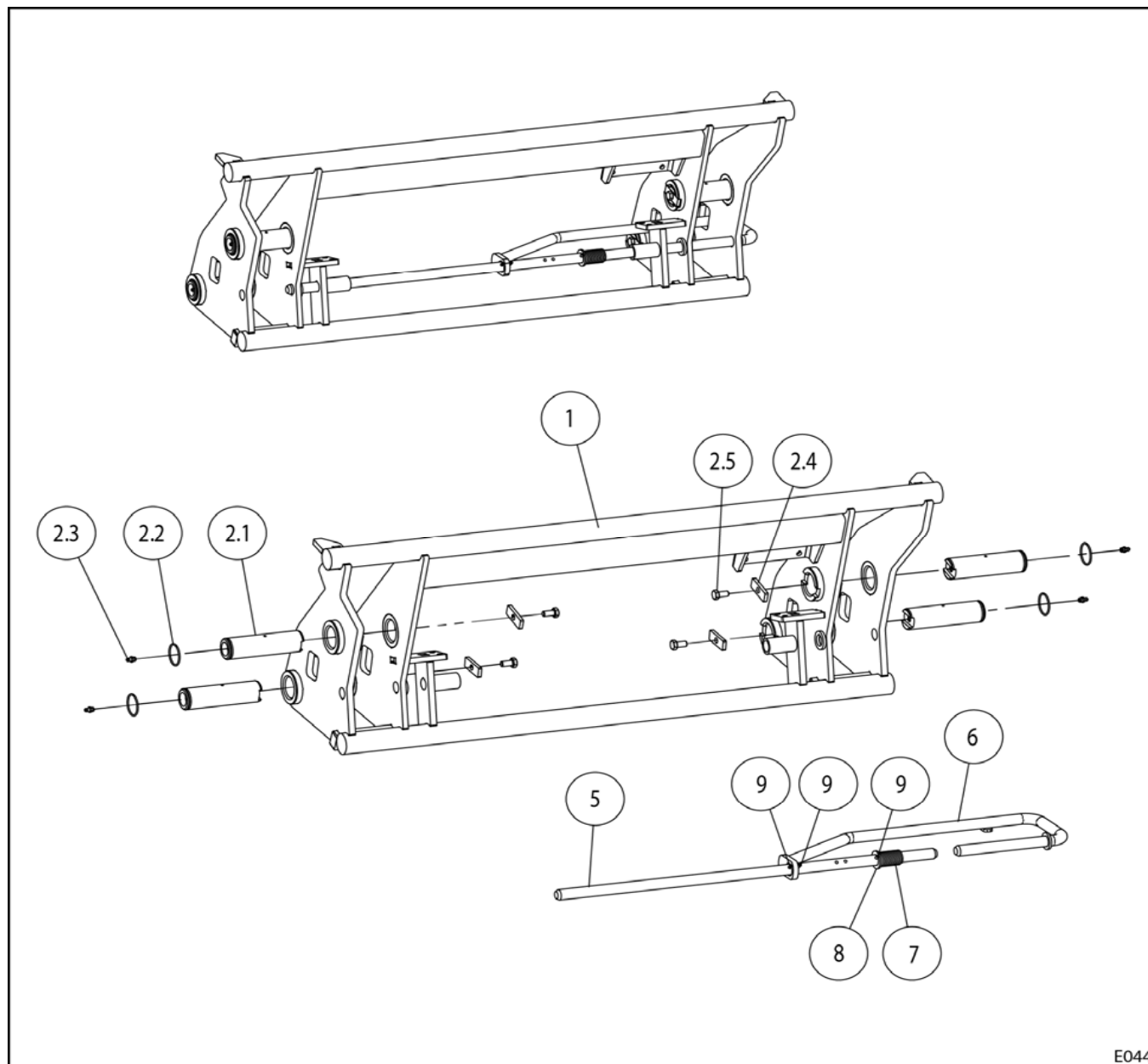
DE Säule Doppelverriegelung
EN Pillar double locking mechanism
FR Triangle verrouillage double



E04Q

| E04Q | | Säule Doppelverriegelung | Pillar double locking mechanism | Triangle verrouillage double | | | | | | | |
|------|-------------|--|---|--|-------------------|-----------|----------------------|------------------------|---------------------|------------------------|------------------------|
| Pos. | Bestell-Nr. | Benennung | Description | Désignation | Zeichnungsnr. | SIZE/MASS | FZ 41-25 bis 41-33.1 | FS 41-33 FS 41-33.1 | FZ43-27 bis 43-34.1 | FS 43-34 FS 43-34.1 | FZ 46-26.1 bis 48-42.1 |
| 1 | 3738540 | Säule Doppelverriegelung links kpl. | Pillar double locking left cpl. | Triangle verrouillage double gauche cpl. | 58.924-30-03-11 | | 1 | - | 1 | - | - |
| 1 | 3738690 | Säule Doppelverriegelung links kpl. | Pillar double locking left cpl. | Triangle verrouillage double gauche cpl. | 58.925-30-08-11 | | - | 1 | - | 1 | - |
| 1 | 3738560 | Säule Doppelverriegelung links kpl. "vorgesetzt" | Pillar double locking left cpl. "150 to the front" | Triangle verrouillage double gauche cpl. "long" | 58.924-30-04-11 | | 1 | - | - | - | - |
| 1 | 3738710 | Säule Doppelverriegelung links kpl. "vorgesetzt" | Pillar double locking left cpl. "150 to the front" | Triangle verrouillage double gauche cpl. "long" | 58.925-30-09-11 | | - | 1 | - | - | - |
| 1 | 3738620 | Säule Doppelverriegelung links kpl. | Pillar double locking left cpl. | Triangle verrouillage double gauche cpl. | 58.932-30-05-11 | | - | - | - | - | 1 |
| 2 | 3738550 | Säule Doppelverriegelung rechts kpl. | Pillar double locking right cpl. | Triangle verrouillage double droit cpl. | 58.924-30-03-12 | | 1 | - | 1 | - | - |
| 2 | 3738700 | Säule Doppelverriegelung rechts kpl. | Pillar double locking right cpl. | Triangle verrouillage double droit cpl. | 58.925-30-08-12 | | - | 1 | - | 1 | - |
| 2 | 3738570 | Säule Doppelverriegelung rechts kpl. "vorgesetzt" | Pillar double locking right cpl. "150 to the front" | Triangle verrouillage double droit cpl. "long" | 58.924-30-04-12 | | 1 | - | - | - | - |
| 2 | 3738720 | Säule Doppelverriegelung rechts kpl. "vorgesetzt" | Pillar double locking right cpl. "150 to the front" | Triangle verrouillage double droit cpl. "long" | 58.925-30-09-12 | | - | 1 | - | - | - |
| 2 | 3738630 | Säule Doppelverriegelung rechts kpl. | Pillar double locking right cpl. | Triangle verrouillage double droit cpl. | 58.932-30-05-12 | | - | - | - | - | 1 |
| 3 | 3579800 | Keil 15° | Wedge 15° | Coin 15° | 58.712-03-10-00.1 | | 1 | 1 | 1 | 1 | 1 |
| 4 | 3579810 | Gewindebolzen | Bolt | Boulon | 58.712-03-10-00.2 | | 1 | 1 | 1 | 1 | 1 |
| 5 | 0449060 | Sechskantmutter | Nut | Ecrou | BM20x1,5 | | 1 | 1 | 1 | 1 | 1 |
| 6 | 0477290 | Kronenmutter | Nut | Ecrou | M20x1,5 | | 1 | 1 | 1 | 1 | 1 |
| 7 | 0013050 | Spannstift | Pin | Goupille | ISO 8752 | | 1 | 1 | 1 | 1 | 1 |
| 8 | 0201400 | Scheibe | Washer | Rondelle | D1441 | | 1 | 1 | 1 | 1 | 1 |
| 9 | 0018230 | Tellerfeder B 40 | Cup spring | Rondelle ressort | D2093 | | 2 | 2 | 2 | 2 | 2 |
| 10 | 3589400 | Drehriegel Guss | Lock | Broche | 58.712-03-11-00.3 | | 1 | 1 | 1 | 1 | 1 |
| 11 | 1435040 | Tellerfeder C 40 | Cup spring | Rondelle ressort | D2093 | | 4 | 4 | 4 | 4 | 4 |
| 12 | 3688680 | Griffbolzen links | Bolt left | Boulon gauche | 58.712-03-08 | | 1 | 1 | 1 | 1 | 1 |
| 13 | 3688400 | Griffbolzen rechts | Bolt right | Boulon droit | 58.712-03-09 | | 1 | 1 | 1 | 1 | 1 |
| 14 | 0013090 | Spannstift | Pin | Goupille | ISO 8752 | | 1 | 1 | 1 | 1 | 1 |
| 15 | 1435030 | Halbrundgriff | Ball handle | Poignée sphérique | | | 2 | 2 | 2 | 2 | 2 |

DE Wechselrahmen (Euro)
EN Change frame (Euro)
FR Cadre porte-outil (Euro)



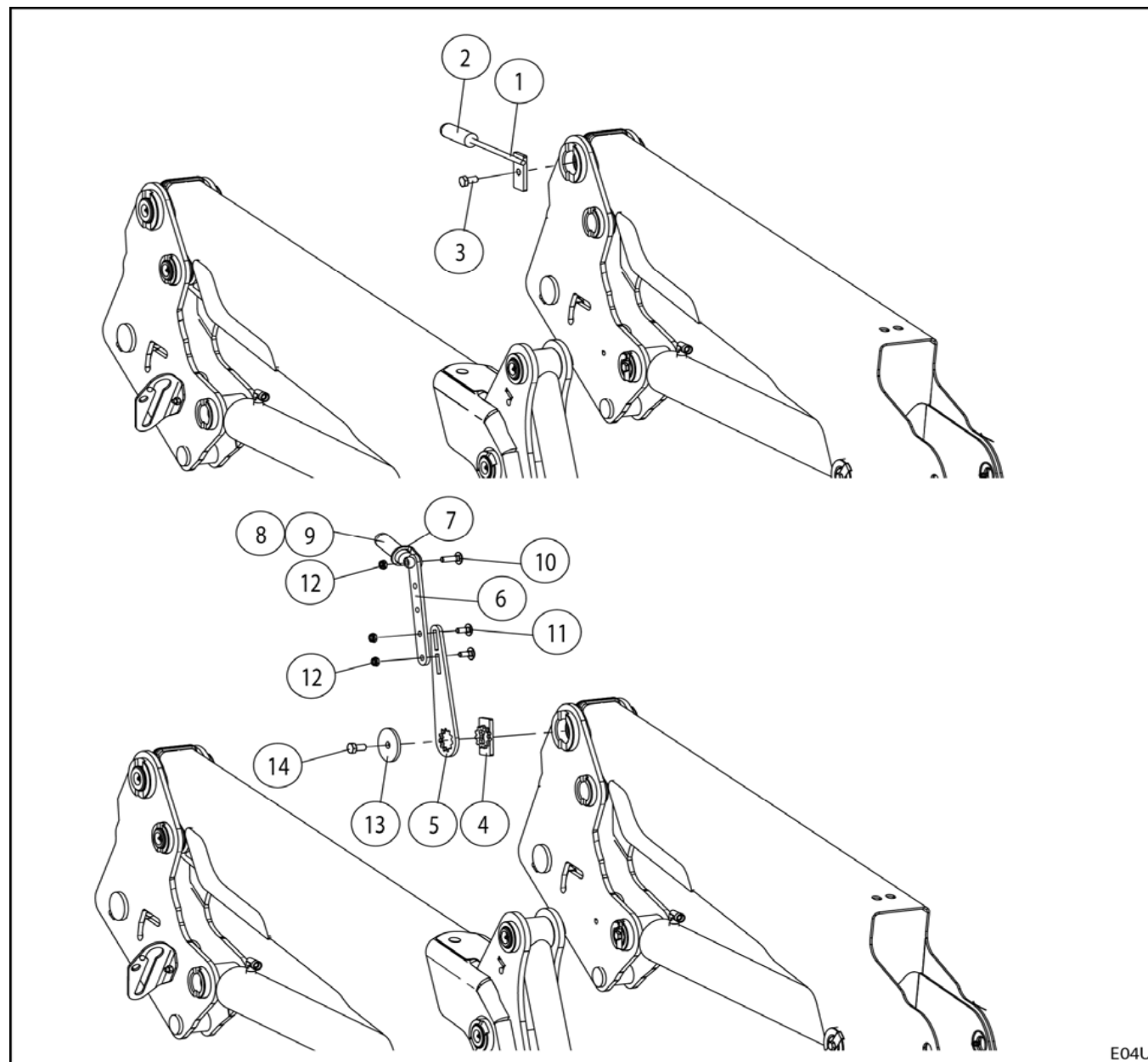
E044

| E044 | | Wechselrahmen (Euro) | Change frame (Euro) | Cadre porte-outil (Euro) | | | | | | |
|------|-------------|---|--|---|------------------|--------------|-----------------------|---------------------------|-----------------------|---------------------------|
| Pos. | Bestell-Nr. | Benennung | Description | Désignation | Zeichnungsnr. | SIZE/MASS | FS/FZ 36-20 bis 41-29 | FS/FZ 36-20.1 bis 41-29.1 | FS/FZ 41-33 bis 43-34 | FS/FZ 41-33.1 bis 48-42.1 |
| 1 | 3732300 | Wechselrahmen gsw. | Change frame welded | Cadre porte-outil | 58.921-102-02-01 | | 1 | - | - | - |
| 1 | 3732450 | Wechselrahmen gsw. | Change frame welded | Cadre porte-outil | 58.921-103-02-01 | | - | 1 | - | - |
| 1 | 3732190 | Wechselrahmen gsw. | Change frame welded | Cadre porte-outil | 58.921-102-01-01 | | - | - | 1 | - |
| 1 | 3732310 | Wechselrahmen gsw. | Change frame welded | Cadre porte-outil | 58.921-103-01-01 | | - | - | - | 1 |
| 2 | 3714620 | Bolzen kpl. | Bolt cpl | Boulon cpl | 58.921-11-02 | 40x143 | 4 | 4 | 4 | 4 |
| 2.1 | | Bolzen | Bolt | Boulon | 58.921-11-02.1 | | 4 | 4 | 4 | 4 |
| 2.2 | 1429020 | Sprengring | Snap ring | Anneau d'arrêt | | A40 | 4 | 4 | 4 | 4 |
| 2.3 | 0015170 | Schmiernippel | Grease nipple | Graisneur | | AM8x1 | 4 | 4 | 4 | 4 |
| 2.4 | 3457060 | Sicherung | Locking device | Plaque d'arrêt | 58.725-11-00.2 | 55x19,5x6 | 4 | 4 | 4 | 4 |
| 2.5 | 2540420 | Sechskantschraube | Screw | Vis | | M10x20 8.8VP | 4 | 4 | 4 | 4 |
| 5 | 3619370 | Stange | Rod | Barre | 58.725-02-00.2 | | 1 | 1 | 1 | 1 |
| 6 | 3732550 | Stecker gsw. | Plug welded | Fiche soudée | 58.921-102-01-02 | | 1 | - | 1 | - |
| 6 | 3732630 | Stecker gsw. | Plug welded | Fiche soudée | 58.921-103-01-02 | | - | 1 | - | 1 |
| 7 | 3350970 | Druckfeder | Pressure spring | Ressort de verrouillage | 58.420-21-00.1 | | 1 | 1 | 1 | 1 |
| 8 | 0006410 | Scheibe | Washer | Rondelle | | 21 | 1 | 1 | 1 | 1 |
| 9 | 0013090 | Spannstift | Pin | Goupille | | 5x36 | 3 | 3 | 3 | 3 |
| | | <i>siehe auch... Hydraulische Werkzeug-Verriegelung</i> | <i>see also... Hydraulic implement locking mechanism</i> | <i>Voir aussi ... Verrouillage hydraulique de l'outil</i> | | | | | | |

DE Scheibenbegrenzung

EN Windscreen limiter

FR Limitation de glace



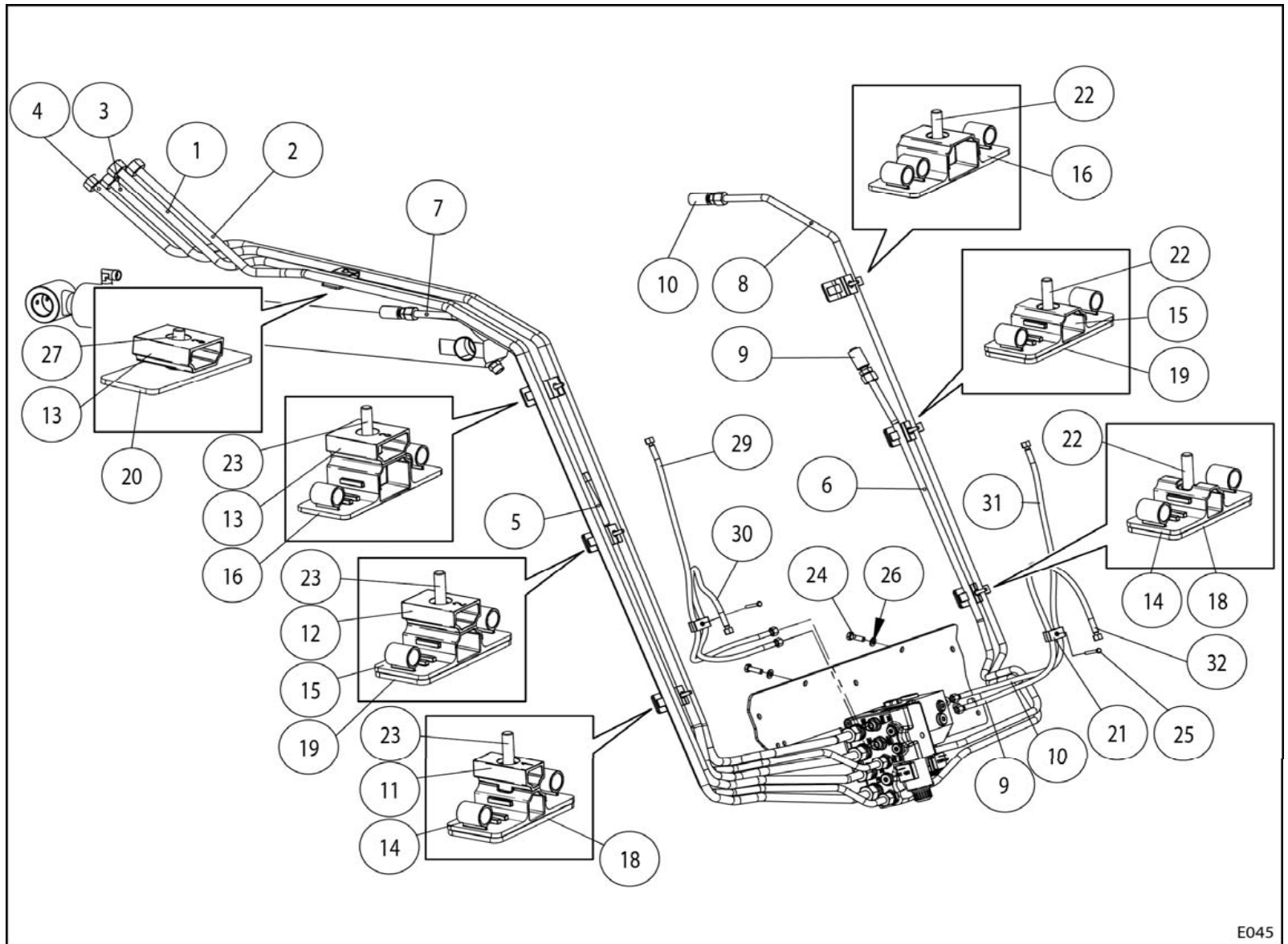
E04U

| E04U | | Scheibenbegrenzung | Windscreen limiter | Limitation de glace | | | |
|------|-------------|--------------------|--------------------|----------------------|-------------------|--------------|-------|
| | Bestell-Nr. | Benennung | Description | Désignation | Zeichnungsnr. | SIZE/MASS | FS/FZ |
| 1 | 3743340 | Scheibenbegrenzung | Windscreen limiter | Limitation de glace | 58.924-80-12-01 | 220 mm | 1 |
| 1 | 3743330 | Scheibenbegrenzung | Windscreen limiter | Limitation de glace | 58.924-80-11-01 | 290 mm | 1 |
| 2 | 0463350 | Gummifinger | Rubber finger | Doigt caoutchouc | | | 1 |
| 3 | 2540420 | Sechskantschraube | Hexagonal screw | Vis six pans | | M10x20 8.8VP | 1 |
| 4 | 3743320 | Zahnradsicherung | Toothed wheel lock | Arrêt de roue dentée | 58.924-80-10-01 | | 1 |
| 5 | 3569960 | Verstellhebel | Adjustment lever | Levier de réglage | 56.14-111-07-00.1 | | 1 |
| 6 | 3569970 | Verstellstrebe | Adjustment strut | Barre de réglage | 56.14-111-07-00.2 | | 1 |
| 7 | 3569980 | Winkel | Elbow | Équerre | 56.14-111-07-00.3 | | 1 |
| 8 | 3569930 | Augenschraube | Eye bolt | Vis à œil | | AM8x80 4.6 | 1 |
| 9 | 0463350 | Gummifinger | Rubber finger | Doigt caoutchouc | | | 1 |
| 10 | 0008600 | Flachrundschrabe | Truss head screw | Vis à tête bombée | | M8x30 8.8 | 1 |
| 11 | 0008680 | Flachrundschrabe | Truss head screw | Vis à tête bombée | | M8x20 8.8 | 2 |
| 12 | 0200600 | Sicherungsmutter | Locking nut | Écrou de sécurité | | NM8 8 | 3 |
| 13 | 3457070 | Scheibe | Washer | Rondelle | | 56x5x11 | 1 |
| 14 | 1412570 | Sechskantschraube | Hexagonal screw | Vis six pans | | M10x30 8.8VP | 1 |

DE Hydraulik

EN Hydraulic system

FR Système hydraulique

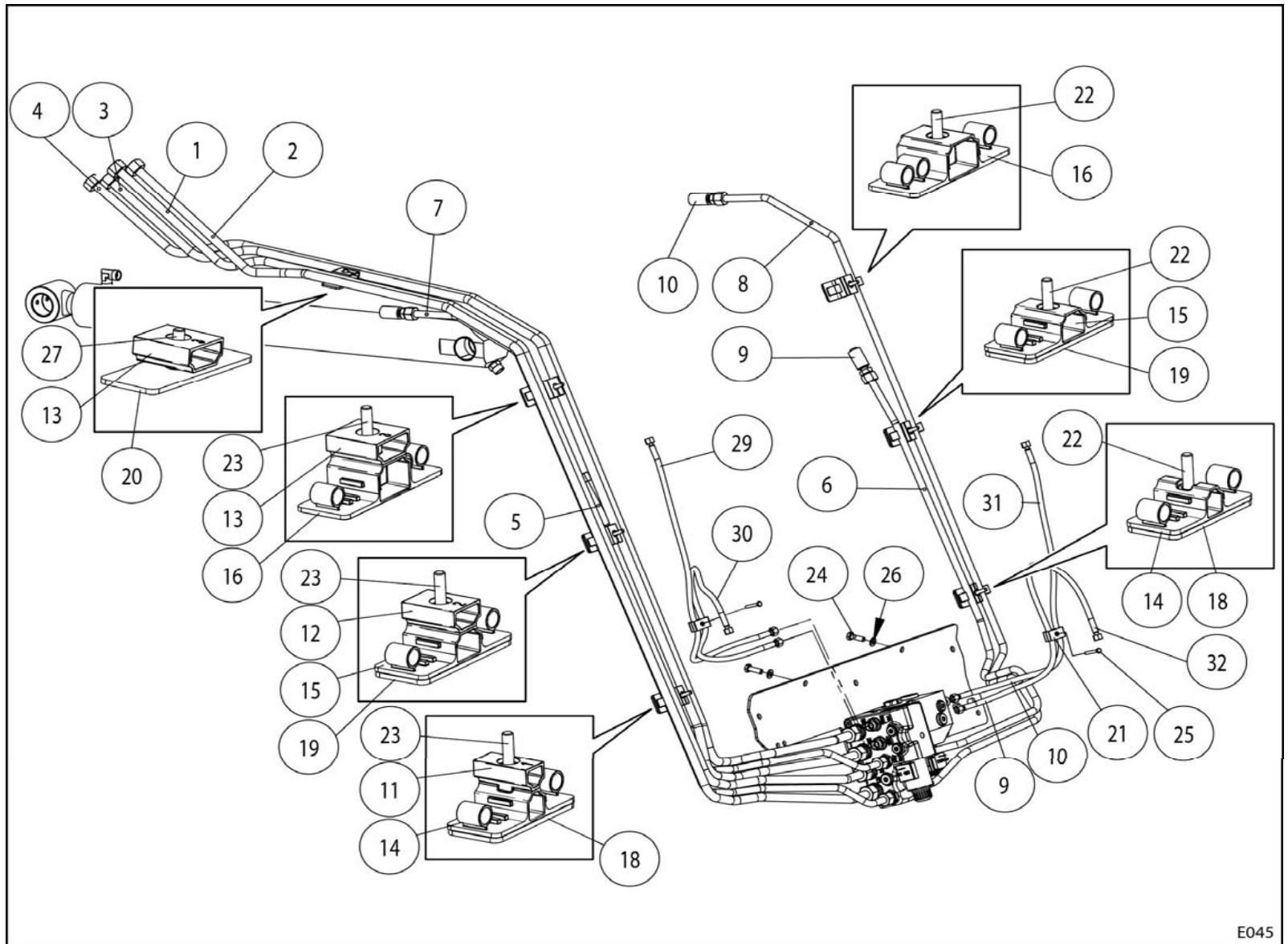


E045

DE Hydraulik

EN Hydraulic system

FR Système hydraulique

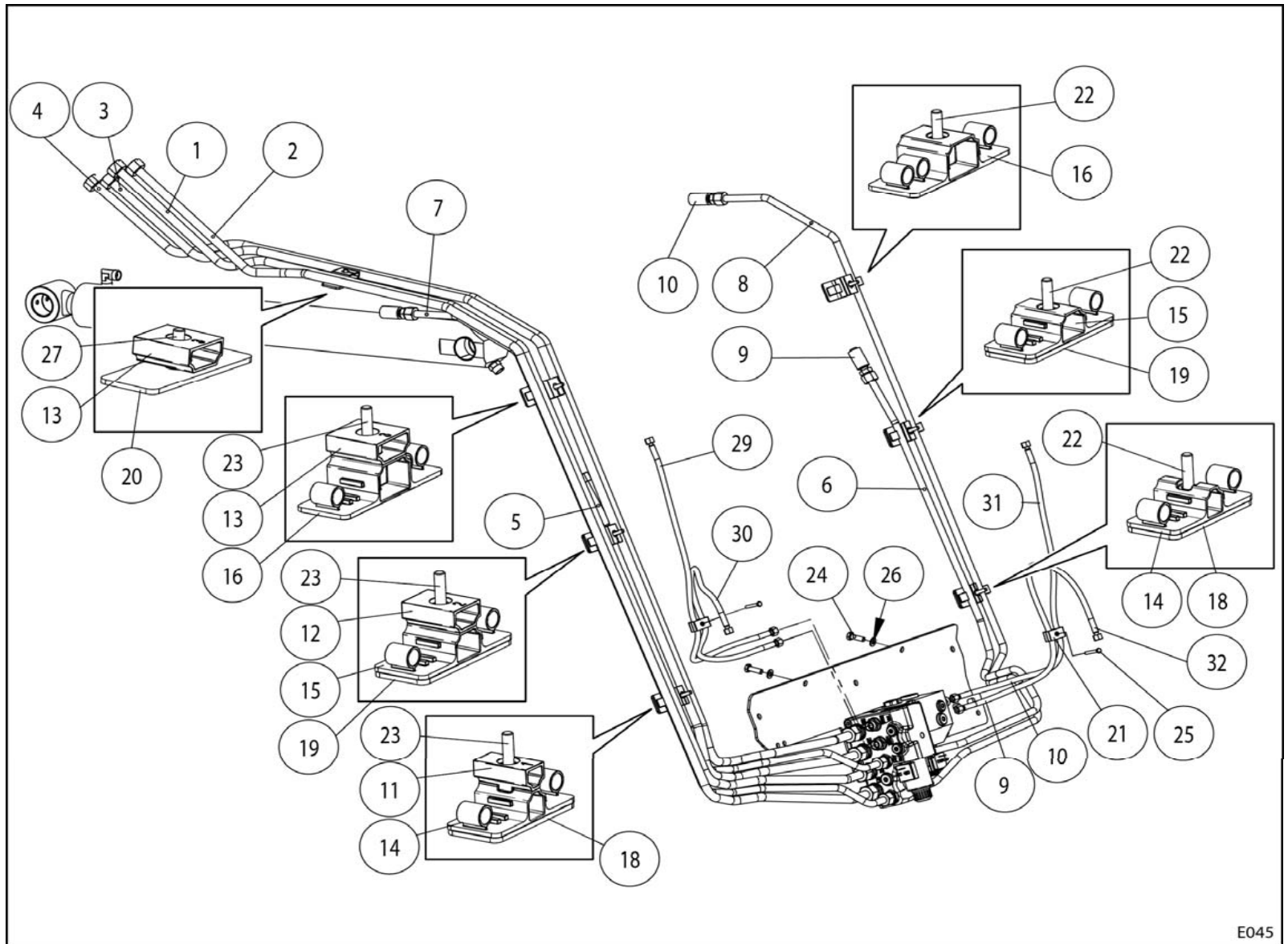


E045

DE Hydraulik

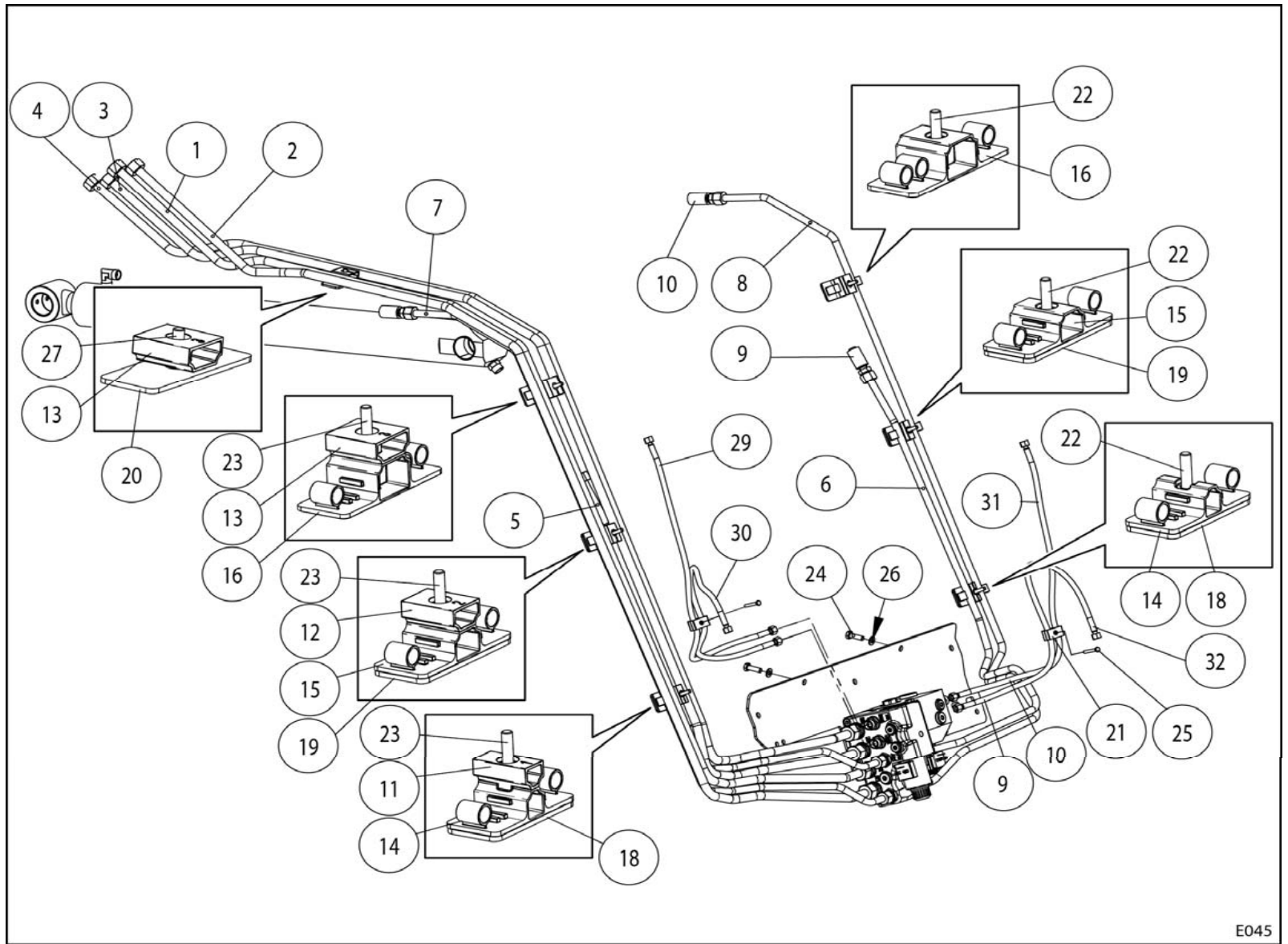
EN Hydraulic system

FR Système hydraulique



E045

DE Hydraulik
EN Hydraulic system
FR Système hydraulique



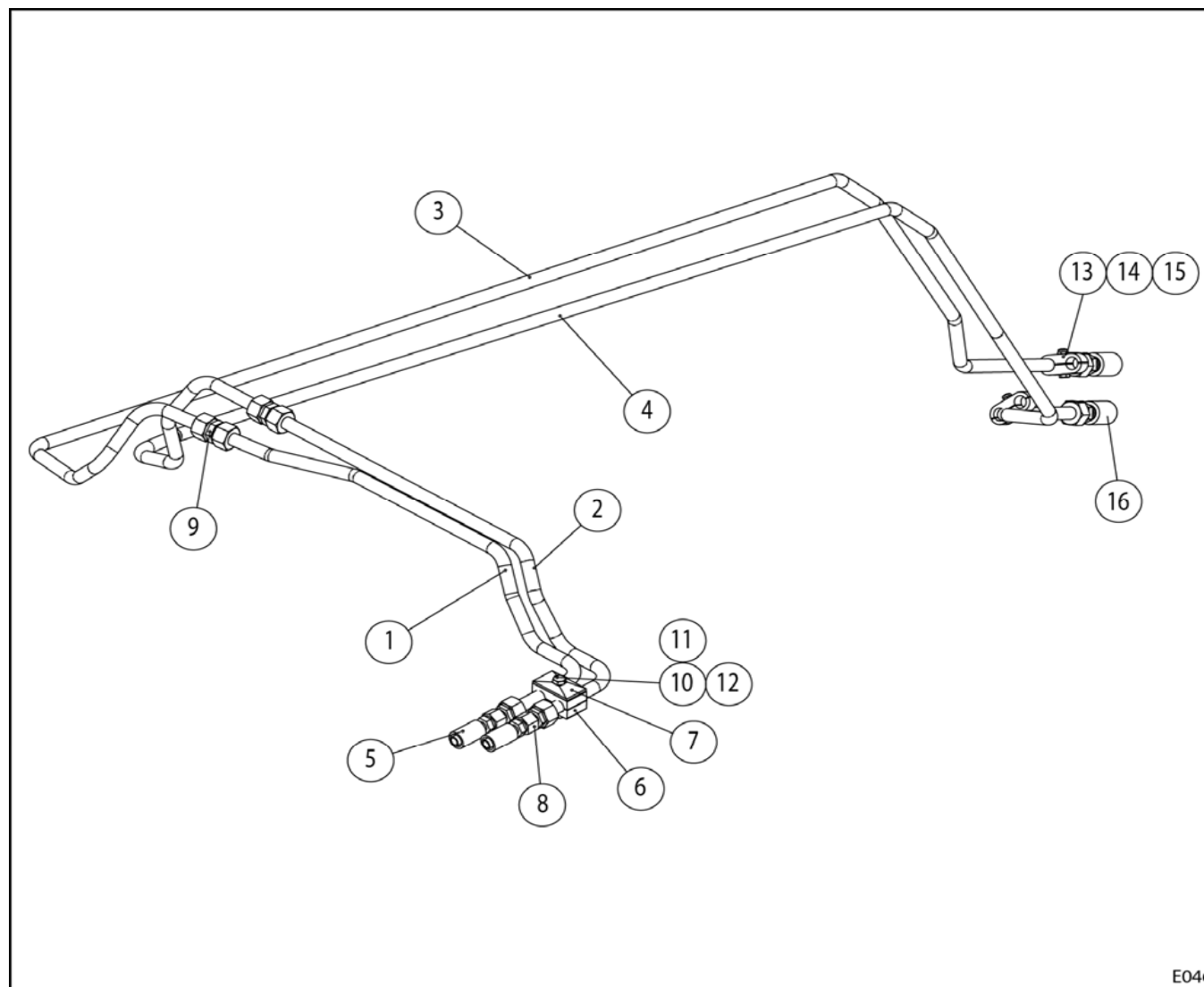
E045

| E045 | | Hydraulik | Hydraulic system | Système hydraulique | | | | | | | | | | | | | | | | | | | | | | | | | | | | | | | | | | | | | | | | | | | | | | |
|------|-------------|--|--|--|---------------|----------------|----------|------------|----------|------------|----------|------------|----------|------------|----------|------------|----------|------------|----------|------------|----------|------------|----------|------------|----------|------------|----------|------------|----------|------------|----------|------------|----------|------------|----------|------------|----------|------------|------------|------------|------------|------------|------------|---|---|---|---|---|---|---|
| Pos. | Bestell-Nr. | Benennung | Description | Désignation | Zeichnungsnr. | SIZE/ MASS | FZ 36-20 | FZ 36-20.1 | FS 36-24 | FS 36-24.1 | FZ 36-24 | FZ 36-24.1 | FZ 39-23 | FZ 39-23.1 | FS 39-27 | FS 39-27.1 | FZ 39-27 | FZ 39-27.1 | FS 39-31 | FS 39-31.1 | FZ 39-31 | FZ 39-31.1 | FZ 41-25 | FZ 41-25.1 | FZ 41-29 | FZ 41-29.1 | FS 41-33 | FS 41-33.1 | FZ 41-33 | FZ 41-33.1 | FZ 43-27 | FZ 43-27.1 | FZ 43-30 | FZ 43-30.1 | FS 43-34 | FS 43-34.1 | FZ 43-34 | FZ 43-34.1 | FZ 46-26.1 | FZ 46-29.1 | FZ 46-33.1 | FZ 48-37.1 | FZ 48-42.1 | | | | | | | |
| 31 | 1429380 | Schlauchleitung | Hose pipe | Flexible | | 10x1100 1SC NN | - | - | - | - | - | - | 1 | - | - | - | - | - | - | - | - | - | 1 | - | - | - | - | - | - | - | - | - | - | - | - | - | - | - | - | - | - | - | - | - | - | - | | | | |
| 31 | 1429430 | Schlauchleitung | Hose pipe | Flexible | | 10x1000 1SC NN | - | - | - | - | - | - | 1 | - | - | - | - | - | - | - | - | - | 1 | - | - | - | - | - | - | - | - | - | - | - | - | - | - | - | - | - | - | - | - | - | - | - | - | - | | |
| | | <i>für Ventilblock Return-To-Level</i> | <i>for valve block Return-To-Level</i> | <i>pour bloc hydraulique Return-To-Level</i> | | | | | | | | | | | | | | | | | | | | | | | | | | | | | | | | | | | | | | | | | | | | | | |
| 31 | 1429390 | Schlauchleitung | Hose pipe | Flexible | | 10x1300 1SC NN | - | - | - | - | - | - | 1 | - | - | - | - | - | 1 | - | - | - | 1 | - | 1 | - | 1 | - | 1 | - | 1 | - | 1 | - | 1 | - | 1 | - | 1 | - | 1 | - | 1 | - | 1 | - | 1 | - | - | |
| 31 | 1429450 | Schlauchleitung | Hose pipe | Flexible | | 10x1200 1SC NN | - | - | - | - | - | - | - | 1 | - | - | - | - | 1 | - | - | - | 1 | - | 1 | - | 1 | - | 1 | - | 1 | - | 1 | - | 1 | - | 1 | - | 1 | - | 1 | - | 1 | - | 1 | - | 1 | - | - | |
| | | <i>für Ventilblock Return-To-Level</i> | <i>for valve block Return-To-Level</i> | <i>pour bloc hydraulique Return-To-Level</i> | | | | | | | | | | | | | | | | | | | | | | | | | | | | | | | | | | | | | | | | | | | | | | |
| 31.1 | 1408570 | Hohlschraube | Banjo bolt | Vis creuse | | M18x1,5 | 1 | 1 | - | - | 1 | 1 | - | - | - | - | - | - | - | - | - | - | - | - | - | - | - | - | - | - | - | - | - | - | - | - | - | - | - | - | - | - | - | - | - | - | - | - | | |
| 31.2 | 0464310 | USIT-Ring | Sealing ring | Anneau USIT | | 18,7-26-1,5 | 2 | 2 | - | - | 2 | 2 | - | - | - | - | - | - | - | - | - | - | - | - | - | - | - | - | - | - | - | - | - | - | - | - | - | - | - | - | - | - | - | - | - | - | - | - | | |
| 32 | 1429380 | Schlauchleitung | Hose pipe | Flexible | | 10x1100 1SC NN | 1 | - | - | - | 1 | - | 1 | - | - | - | - | 1 | - | - | - | 1 | - | - | 1 | - | 1 | - | 1 | - | 1 | - | 1 | - | 1 | - | 1 | - | 1 | - | 1 | - | 1 | - | 1 | - | 1 | - | - | |
| 32 | 1429430 | Schlauchleitung | Hose pipe | Flexible | | 10x1000 1SC NN | 1 | - | - | - | 1 | - | 1 | - | - | - | - | 1 | - | - | - | 1 | - | - | 1 | - | 1 | - | 1 | - | 1 | - | 1 | - | 1 | - | 1 | - | 1 | - | 1 | - | 1 | - | 1 | - | 1 | - | - | |
| | | <i>für Ventilblock Return-To-Level</i> | <i>for valve block Return-To-Level</i> | <i>pour bloc hydraulique Return-To-Level</i> | | | | | | | | | | | | | | | | | | | | | | | | | | | | | | | | | | | | | | | | | | | | | | |
| 32 | 1429390 | Schlauchleitung | Hose pipe | Flexible | | 10x1300 1SC NN | - | 1 | - | - | - | 1 | - | 1 | - | - | - | 1 | - | - | - | 1 | - | 1 | - | 1 | - | 1 | - | 1 | - | 1 | - | 1 | - | 1 | - | 1 | - | 1 | - | 1 | - | 1 | - | 1 | - | 1 | - | - |
| 32 | 1429450 | Schlauchleitung | Hose pipe | Flexible | | 10x1200 1SC NN | - | 1 | - | - | - | 1 | - | 1 | - | - | - | 1 | - | - | - | 1 | - | 1 | - | 1 | - | 1 | - | 1 | - | 1 | - | 1 | - | 1 | - | 1 | - | 1 | - | 1 | - | 1 | - | 1 | - | 1 | - | - |
| | | <i>für Ventilblock Return-To-Level</i> | <i>for valve block Return-To-Level</i> | <i>pour bloc hydraulique Return-To-Level</i> | | | | | | | | | | | | | | | | | | | | | | | | | | | | | | | | | | | | | | | | | | | | | | |
| 32 | 1429450 | Schlauchleitung | Hose pipe | Flexible | | 10x1200 1SC NN | - | - | 1 | - | - | - | - | - | 1 | - | - | - | - | 1 | - | - | - | - | - | - | - | - | 1 | - | - | - | - | - | - | - | - | - | - | - | - | - | - | - | - | - | - | - | - | - |
| 32 | 1429470 | Schlauchleitung | Hose pipe | Flexible | | 10x1400 1SC NN | - | - | - | 1 | - | - | - | - | 1 | - | - | - | - | 1 | - | - | - | - | - | - | - | - | 1 | - | - | - | - | - | - | - | - | - | - | - | - | - | - | - | - | - | - | - | - | - |
| 32 | 1429390 | Schlauchleitung | Hose pipe | Flexible | | 10x1300 1SC NN | - | - | - | - | - | - | - | - | - | - | - | - | - | - | - | - | - | - | - | - | - | - | - | - | - | - | - | - | - | - | - | - | - | - | - | - | - | - | - | - | - | - | - | - |
| | | <i>für Ventilblock Return-To-Level</i> | <i>for valve block Return-To-Level</i> | <i>pour bloc hydraulique Return-To-Level</i> | | | | | | | | | | | | | | | | | | | | | | | | | | | | | | | | | | | | | | | | | | | | | | |

DE Hydraulikleitungen REAL3

EN Hydraulic lines REAL3

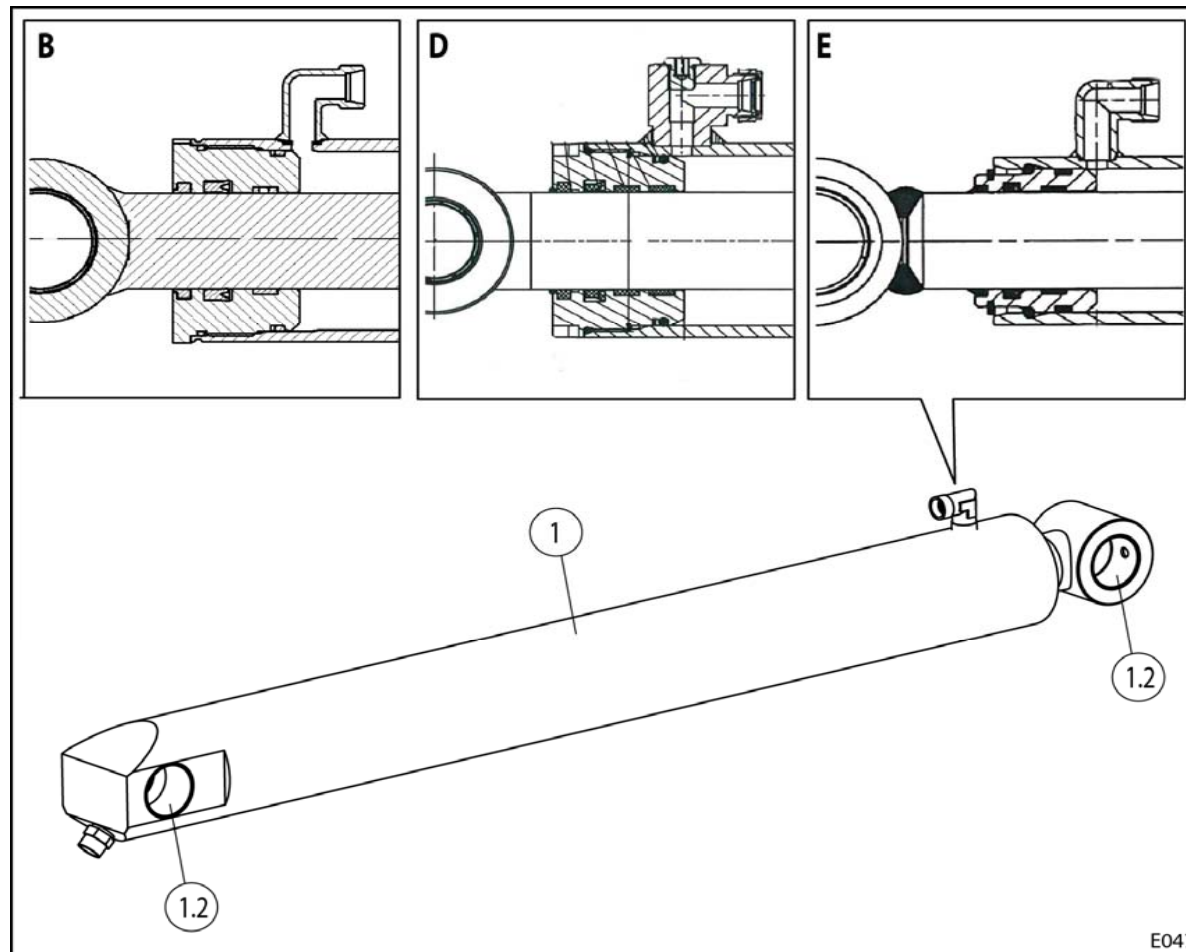
FR Conduites hydrauliques REAL3



E046

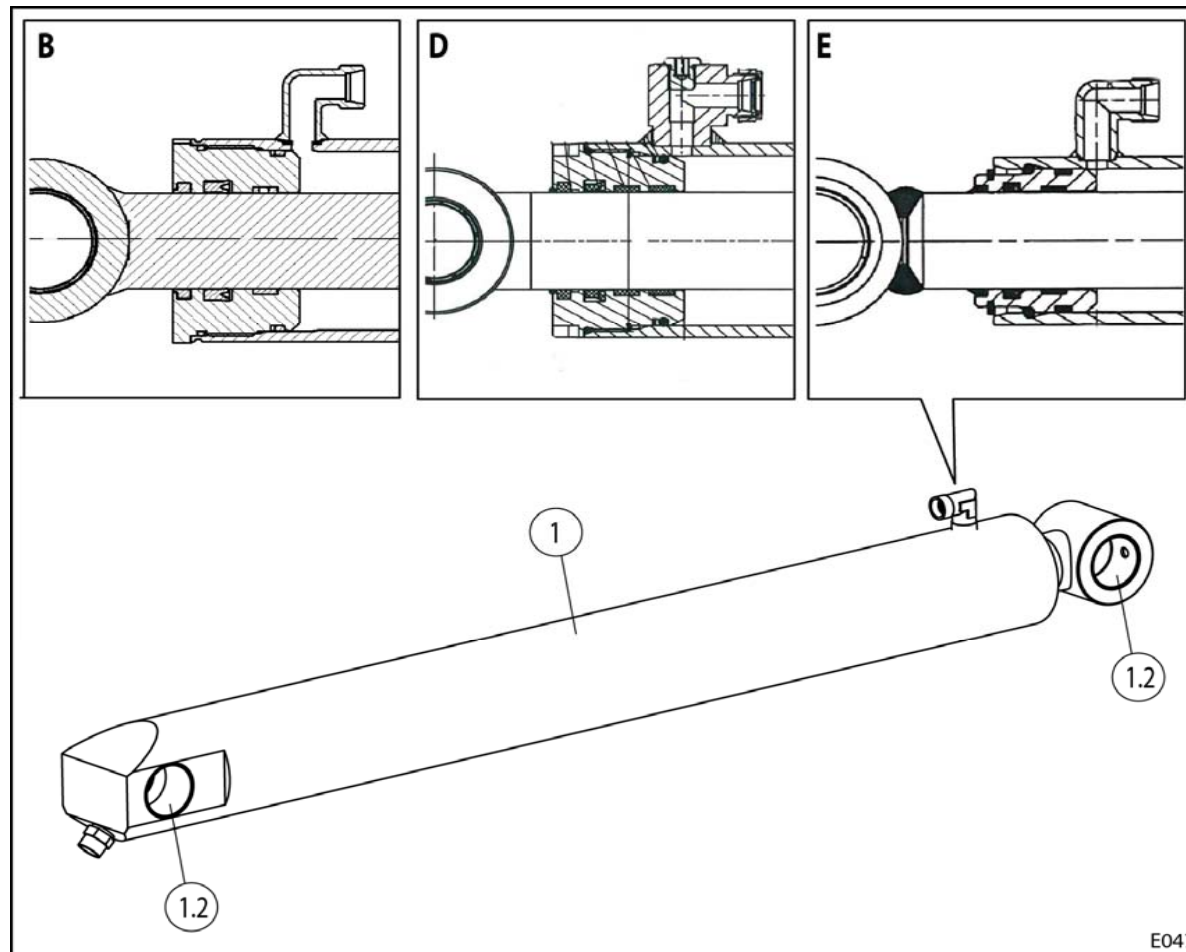
| E046 | | Hydraulikleitungen REAL3 | Hydraulic lines REAL3 | Conduites hydrauliques REAL3 | | | | | | | | | | | | |
|------|-------------|--|--|---|--------------------|-----------|-----------------------|---------------------------|-----------------------|---------------------------|-----------------------|---------------------------|-----------------------|---------------------------|------------------------|------------------------|
| Pos. | Bestell-Nr. | Benennung | Description | Désignation | Zeichnungsnr. | SIZE/MASS | FS/FZ 36-20 bis 36-24 | FS/FZ 36-20.1 bis 36-24.1 | FS/FZ 39-23 bis 39-31 | FS/FZ 39-23.1 bis 39-31.1 | FS/FZ 41-25 bis 41-33 | FS/FZ 41-25.1 bis 41-33.1 | FS/FZ 43-27 bis 43-34 | FS/FZ 43-27.1 bis 43-34.1 | FZ 46-26.1 bis 46-33.1 | FZ 48-33.1 bis 48-42.1 |
| 1 | 3742740 | Hydraulikrohr vorn kpl. | Front hydraulic pipe cpl. | Tuyau hydraulique avant cpl. | 58.924-01-19-10-01 | | 1 | - | 1 | - | 1 | - | 1 | - | - | - |
| 1 | 3742750 | Hydraulikrohr vorn kpl. | Front hydraulic pipe cpl. | Tuyau hydraulique avant cpl. | 58.924-02-19-10-01 | | - | 1 | - | 1 | - | 1 | - | 1 | 1 | 1 |
| 2 | 3742760 | Hydraulikrohr vorn kpl. | Front hydraulic pipe cpl. | Tuyau hydraulique avant cpl. | 58.924-01-19-10-02 | | 1 | - | 1 | - | 1 | - | 1 | - | - | - |
| 2 | 3742770 | Hydraulikrohr vorn kpl. | Front hydraulic pipe cpl. | Tuyau hydraulique avant cpl. | 58.924-02-19-10-02 | | - | 1 | - | 1 | - | 1 | - | 1 | 1 | 1 |
| 3 | 3742780 | Hydraulikrohr rechts kpl. | Right hydraulic pipe cpl. | Tuyau hydraulique droit cpl. | 58.924-01-19-10-03 | | 1 | - | - | - | - | - | - | - | - | - |
| 3 | 3742780 | Hydraulikrohr rechts kpl. | Right hydraulic pipe cpl. | Tuyau hydraulique droit cpl. | 58.924-01-19-10-03 | | - | 1 | - | - | - | - | - | - | - | - |
| 3 | 3742800 | Hydraulikrohr rechts kpl. | Right hydraulic pipe cpl. | Tuyau hydraulique droit cpl. | 58.926-01-19-10-03 | | - | - | 1 | 1 | - | - | - | - | - | - |
| 3 | 3742820 | Hydraulikrohr rechts kpl. | Right hydraulic pipe cpl. | Tuyau hydraulique droit cpl. | 58.928-01-19-10-03 | | - | - | - | - | 1 | 1 | - | - | - | - |
| 3 | 3742840 | Hydraulikrohr rechts kpl. | Right hydraulic pipe cpl. | Tuyau hydraulique droit cpl. | 58.930-01-19-10-03 | | - | - | - | - | - | - | 1 | 1 | - | - |
| 3 | 3742860 | Hydraulikrohr rechts kpl. | Right hydraulic pipe cpl. | Tuyau hydraulique droit cpl. | 58.932-02-19-10-03 | | - | - | - | - | - | - | - | - | 1 | - |
| 3 | 3742880 | Hydraulikrohr rechts kpl. | Right hydraulic pipe cpl. | Tuyau hydraulique droit cpl. | 58.934-02-19-10-03 | | - | - | - | - | - | - | - | - | - | 1 |
| 4 | 3742790 | Hydraulikrohr rechts kpl. | Right hydraulic pipe cpl. | Tuyau hydraulique droit cpl. | 58.924-01-19-10-04 | | 1 | 1 | - | - | - | - | - | - | - | - |
| 4 | 3742810 | Hydraulikrohr rechts kpl. | Right hydraulic pipe cpl. | Tuyau hydraulique droit cpl. | 58.926-01-19-10-04 | | - | - | 1 | 1 | - | - | - | - | - | - |
| 4 | 3742830 | Hydraulikrohr rechts kpl. | Right hydraulic pipe cpl. | Tuyau hydraulique droit cpl. | 58.928-01-19-10-04 | | - | - | - | - | 1 | 1 | - | - | - | - |
| 4 | 3742850 | Hydraulikrohr rechts kpl. | Right hydraulic pipe cpl. | Tuyau hydraulique droit cpl. | 58.930-01-19-10-04 | | - | - | - | - | - | - | 1 | 1 | - | - |
| 4 | 3742870 | Hydraulikrohr rechts kpl. | Right hydraulic pipe cpl. | Tuyau hydraulique droit cpl. | 58.932-02-19-10-04 | | - | - | - | - | - | - | - | - | 1 | - |
| 4 | 3742890 | Hydraulikrohr rechts kpl. | Right hydraulic pipe cpl. | Tuyau hydraulique droit cpl. | 58.934-02-19-10-04 | | - | - | - | - | - | - | - | - | - | 1 |
| 5 | 1433310 | Schlauchleitung | Hydraulic hose | Flexible hydraulique | 10x700 1SC ND | | 2 | 2 | 2 | 2 | 2 | 2 | 2 | 2 | 2 | 2 |
| 6 | 1429300 | Rohrschellenhälfte | Pipe clamp half | Moitié de collier | | | 2 | 2 | 2 | 2 | 2 | 2 | 2 | 2 | 2 | 2 |
| 7 | 1429310 | Deckplatte | Cover plate | Plaque de fermeture | | | 1 | 1 | 1 | 1 | 1 | 1 | 1 | 1 | 1 | 1 |
| 8 | 0204061 | Gerader Stutzen | Straight connector | Manchon vissé droit | WA GS 15 L | | 2 | 2 | 2 | 2 | 2 | 2 | 2 | 2 | 2 | 2 |
| 9 | 0421641 | Reduzierschraubung | Reducer screw connection | Raccord réducteur | WA REDSD 12/15L | | 2 | 2 | 2 | 2 | 2 | 2 | 2 | 2 | 2 | 2 |
| 10 | 0201820 | Sechskantschraube | Hexagonal screw | Vis six pans | M8x50 8.8 | | 1 | 1 | 1 | 1 | 1 | 1 | 1 | 1 | 1 | 1 |
| 11 | 0207280 | Sechskantschraube | Hexagonal screw | Vis six pans | M8x70 8.8 | | 1 | 1 | 1 | 1 | 1 | 1 | 1 | 1 | 1 | 1 |
| | | <i>wenn 3. Steuerkreis vorhanden ist</i> | <i>with 3rd control circuit</i> | <i>avec 3e circuit de commande</i> | | | | | | | | | | | | |
| 12 | 0200600 | Sicherungsmutter | Locking nut | Écrou de sécurité | NM8 8 | | 1 | 1 | 1 | 1 | 1 | 1 | 1 | 1 | 1 | 1 |
| 13 | 1442690 | Doppelschelle | Double clamp | Collier double | | | 2 | 2 | 2 | 2 | 2 | 2 | 2 | 2 | 2 | 2 |
| 14 | 0295370 | Sechskantschraube | Hexagonal screw | Vis six pans | M6x30 8.8 | | 2 | 2 | 2 | 2 | 2 | 2 | 2 | 2 | 2 | 2 |
| 15 | 0412570 | Sicherungsmutter | Locking nut | Écrou de sécurité | NM6 8 | | 2 | 2 | 2 | 2 | 2 | 2 | 2 | 2 | 2 | 2 |
| 16 | 0470710 | Schlauchleitung | Hydraulic hose | Flexible hydraulique | 12x1100 2SN AD | | 2 | 2 | 2 | 2 | 2 | 2 | 2 | 2 | 2 | 2 |
| 16 | 0433920 | Schlauchleitung (für vorgesezte Säule) | Hydraulic hose (for pillar 75 mm to the front) | Flexible hydraulique (pour triangle long) | 12x1200 2SN AD | | 2 | 2 | 2 | 2 | 2 | 2 | 2 | 2 | 2 | 2 |
| 16 | 0483580 | Schlauchleitung (für Fendt 500) | Hydraulic hose (for Fendt 500) | Flexible hydraulique (pour Fendt 500) | 12x1400 2SN AD | | 2 | 2 | 2 | 2 | 2 | 2 | 2 | 2 | 2 | 2 |
| 16 | 0495490 | Schlauchleitung (für Fendt 700) | Hydraulic hose (for Fendt 700) | Flexible hydraulique (pour Fendt 700) | 12x1500 2SN AD | | 2 | 2 | 2 | 2 | 2 | 2 | 2 | 2 | 2 | 2 |

DE Hebenzylinder
EN Lifting cylinder
FR Vérin de levage



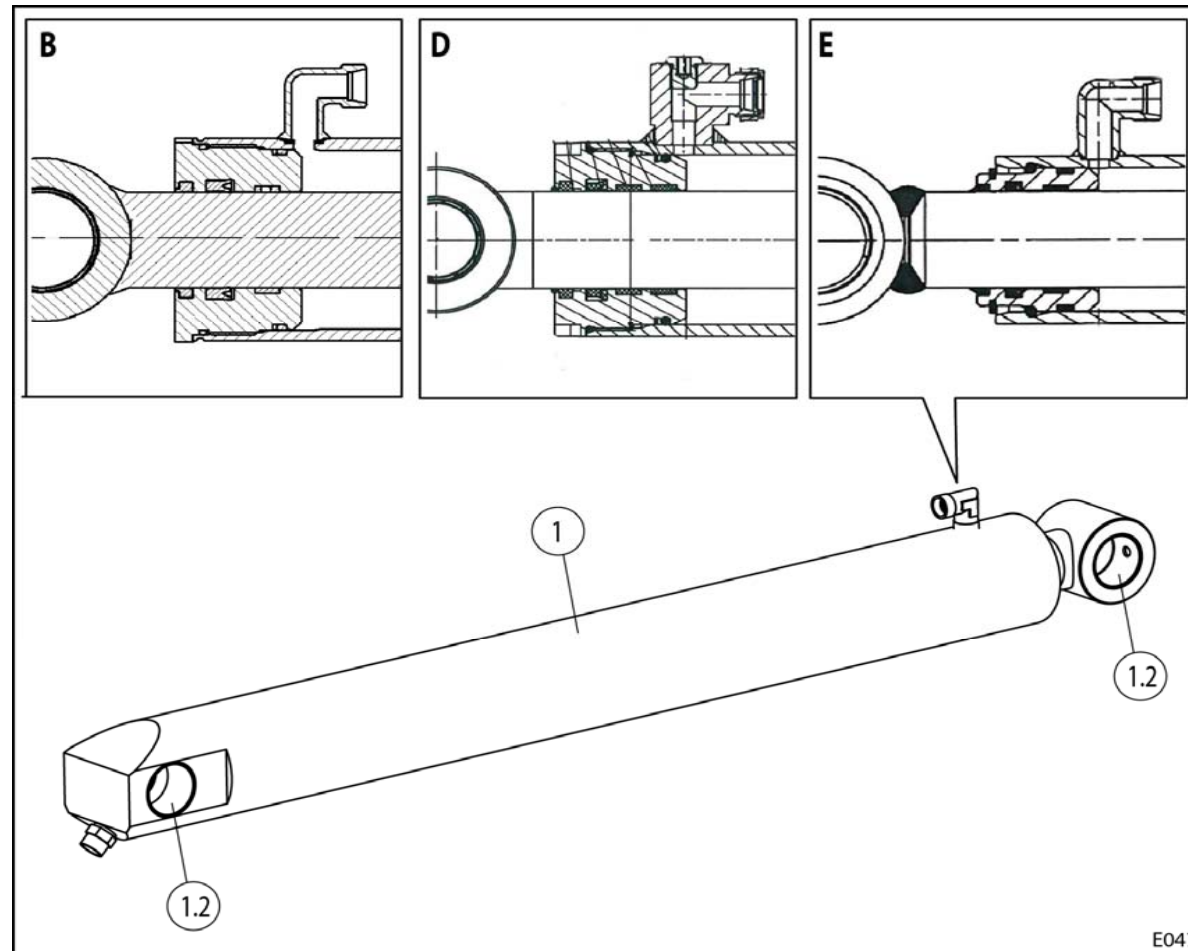
E047

DE Hebenzylinder
EN Lifting cylinder
FR Vérin de levage



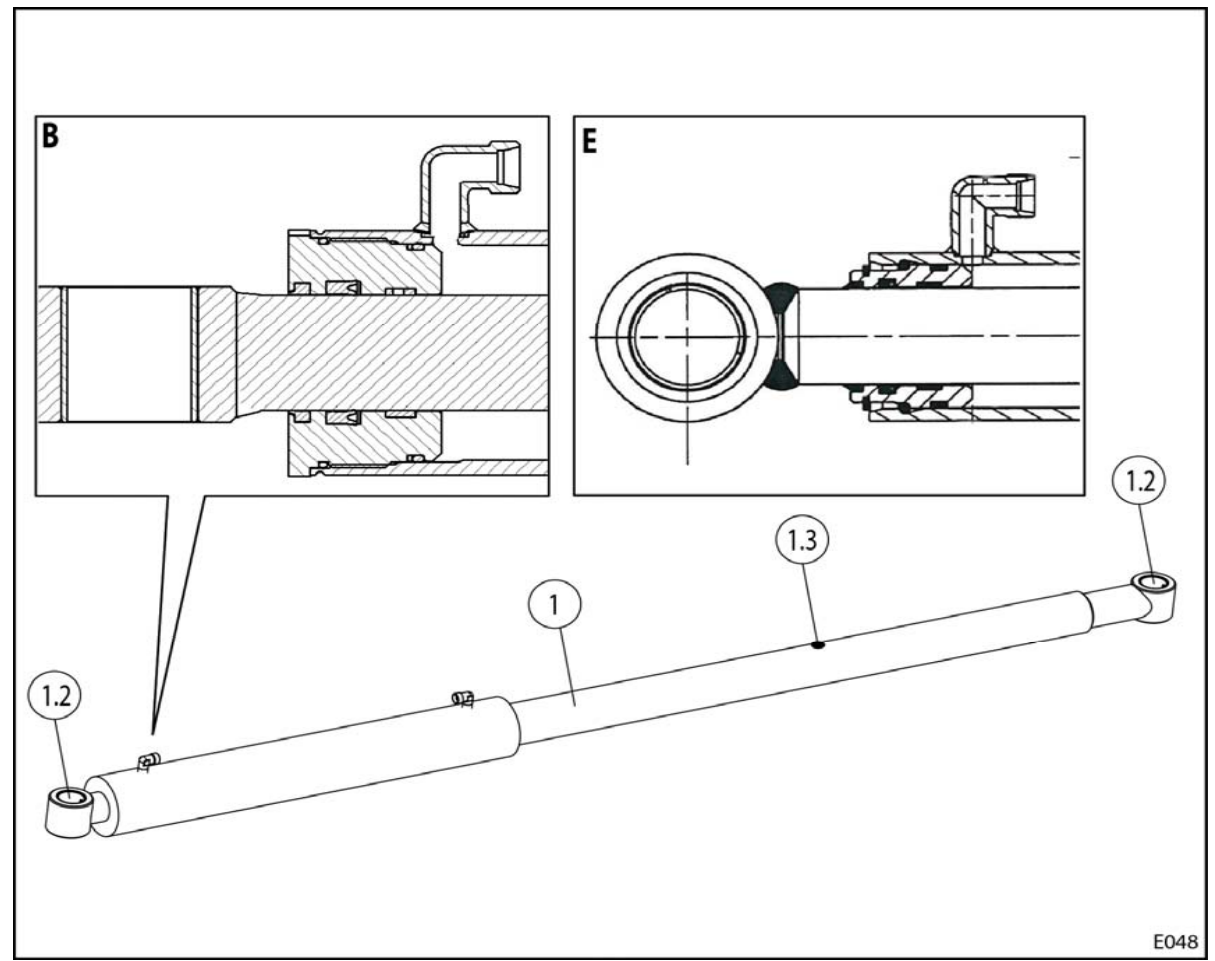
E047

DE Hebenzylinder
EN Lifting cylinder
FR Vérin de levage



E047

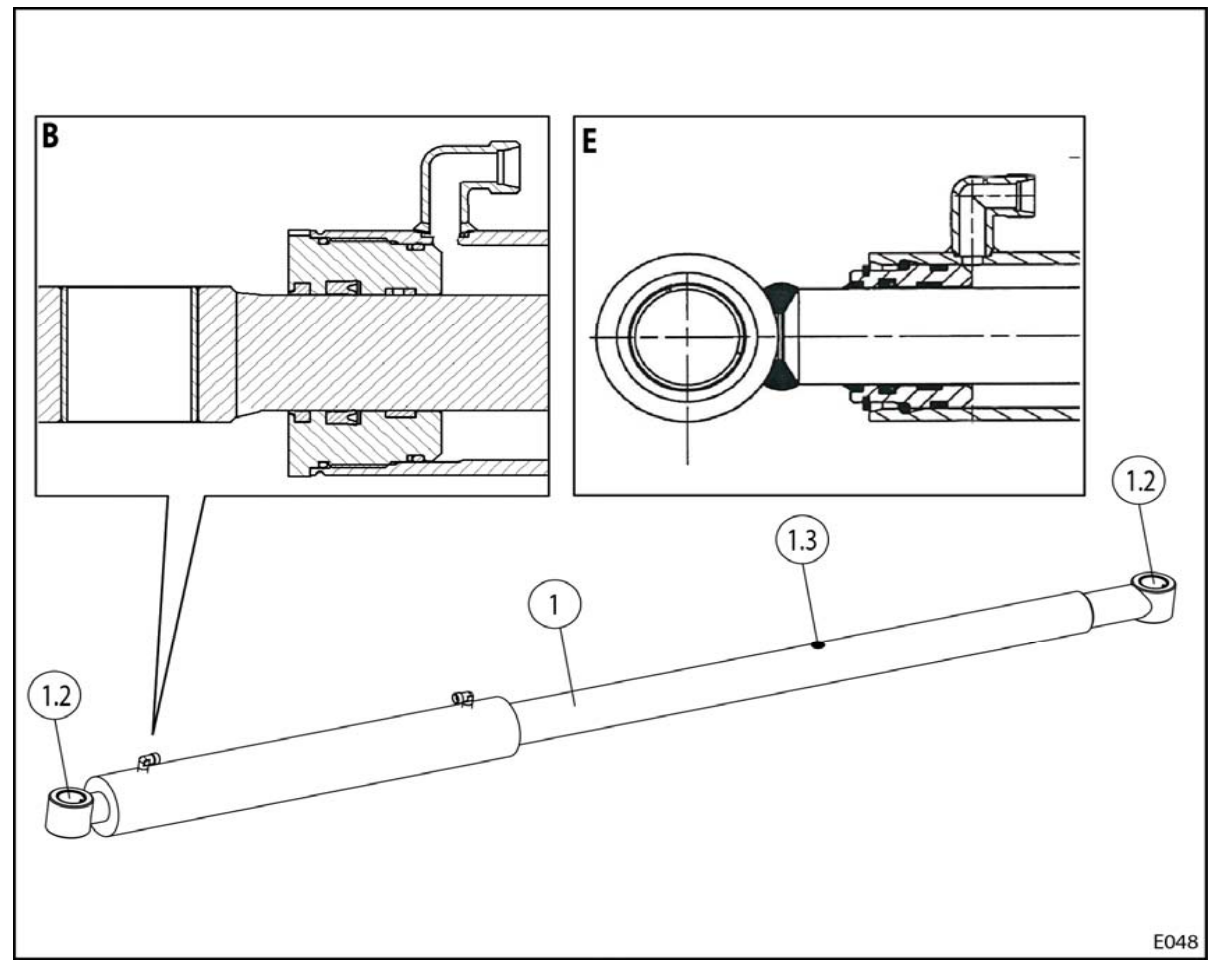
DE Werkzeugzylinder FZ
EN Tool actuating cylinder FZ
FR Vérin d'outil FZ



E048

| E048 | | Werkzeugzylinder FZ | Tool actuating cylinder FZ | Vérin d'outil FZ | | | | | | | | | | | | | | | | | | | | | | | | | | | | | | | | |
|------|-------------|------------------------|-------------------------------|------------------|----------------|----------------|----------|------------|----------|------------|----------|------------|----------|------------|----------|------------|----------|------------|----------|------------|----------|------------|----------|------------|----------|------------|----------|------------|------------|------------|------------|------------|------------|------------|---|---|
| Pos. | Bestell-Nr. | Benennung | Description | Désignation | Zeichnungsnr. | SIZE/MASS | FZ 36-20 | FZ 36-20.1 | FZ 36-24 | FZ 36-24.1 | FZ 39-23 | FZ 39-23.1 | FZ 39-27 | FZ 39-27.1 | FZ 39-31 | FZ 39-31.1 | FZ 41-25 | FZ 41-25.1 | FZ 41-29 | FZ 41-29.1 | FZ 41-33 | FZ 41-33.1 | FZ 43-27 | FZ 43-27.1 | FZ 43-30 | FZ 43-30.1 | FZ 43-34 | FZ 43-34.1 | FZ 46-26.1 | FZ 46-29.1 | FZ 46-33.1 | FZ 48-33.1 | FZ 48-37.1 | FZ 48-42.1 | | |
| 1B | 3714332 | Hydrozylinder | Cylinder | Vérin | 58.02-220 B | 65/35/492/1211 | 2 | 2 | - | - | - | - | - | - | - | - | - | - | - | - | - | - | - | - | - | - | - | - | - | - | - | - | - | - | - | - |
| 1E | 3714335 | Hydrozylinder | Cylinder | Vérin | 58.02-220 E | 65/35/492/1211 | 2 | 2 | - | - | - | - | - | - | - | - | - | - | - | - | - | - | - | - | - | - | - | - | - | - | - | - | - | - | - | - |
| 1.1B | 3721460 | Dichtungssatz | Seal kit | Jeu de joints | 58.02-220-01 | 65/35 | 1 | 1 | - | - | - | - | - | - | - | - | - | - | - | - | - | - | - | - | - | - | - | - | - | - | - | - | - | - | - | - |
| 1.1E | 3778420 | Dichtungssatz | Seal kit | Jeu de joints | 58.02-220-01 E | | 1 | 1 | - | - | - | - | - | - | - | - | - | - | - | - | - | - | - | - | - | - | - | - | - | - | - | - | - | - | - | - |
| 1.2 | 1422610 | Verbundstoffbuchse | Bush | Douille | | 4025 DX | 4 | 4 | - | - | - | - | - | - | - | - | - | - | - | - | - | - | - | - | - | - | - | - | - | - | - | - | - | - | - | - |
| 1.3B | 1443490 | Luftventil | Air valve | Soupape à aérage | | | 1 | 1 | - | - | - | - | - | - | - | - | - | - | - | - | - | - | - | - | - | - | - | - | - | - | - | - | - | - | - | - |
| 1B | 3714342 | Hydrozylinder | Cylinder | Vérin | 58.02-221 B | 70/40/492/1211 | - | - | 2 | 2 | - | - | - | - | - | - | - | - | - | - | - | - | - | - | - | - | - | - | - | - | - | - | - | - | - | - |
| 1E | 3714345 | Hydrozylinder | Cylinder | Vérin | 58.02-221 E | 70/40/492/1211 | - | - | 2 | 2 | - | - | - | - | - | - | - | - | - | - | - | - | - | - | - | - | - | - | - | - | - | - | - | - | - | - |
| 1.1B | 3721470 | Dichtungssatz | Seal kit | Jeu de joints | 58.02-221-01 | 70/40 | - | - | 1 | 1 | - | - | - | - | - | - | - | - | - | - | - | - | - | - | - | - | - | - | - | - | - | - | - | - | - | - |
| 1.1E | 3778430 | Dichtungssatz | Seal kit | Jeu de joints | 58.02-221-01 E | | - | - | 1 | 1 | - | - | - | - | - | - | - | - | - | - | - | - | - | - | - | - | - | - | - | - | - | - | - | - | - | - |
| 1.2 | 1422610 | Verbundstoffbuchse | Bush | Douille | | 4025 DX | - | - | 4 | 4 | - | - | - | - | - | - | - | - | - | - | - | - | - | - | - | - | - | - | - | - | - | - | - | - | - | - |
| 1.3B | 1443490 | Luftventil | Air valve | Soupape à aérage | | | - | - | 1 | 1 | - | - | - | - | - | - | - | - | - | - | - | - | - | - | - | - | - | - | - | - | - | - | - | - | - | - |
| 1B | 3714352 | Hydrozylinder | Cylinder | Vérin | 58.02-222 B | 70/40/525/1343 | - | - | - | 2 | 2 | - | - | - | - | - | - | - | - | - | - | - | - | - | - | - | - | - | - | - | - | - | - | - | - | - |
| 1E | 3714355 | Hydrozylinder | Cylinder | Vérin | 58.02-222 E | 70/40/525/1343 | - | - | - | 2 | 2 | - | - | - | - | - | - | - | - | - | - | - | - | - | - | - | - | - | - | - | - | - | - | - | - | - |
| 1.1B | 3721470 | Dichtungssatz | Seal kit | Jeu de joints | 58.02-221-01 | 70/40 | - | - | - | 1 | 1 | - | - | - | - | - | - | - | - | - | - | - | - | - | - | - | - | - | - | - | - | - | - | - | - | - |
| 1.1E | 3778440 | Dichtungssatz | Seal kit | Jeu de joints | 58.02-222-01 E | | - | - | - | 1 | 1 | - | - | - | - | - | - | - | - | - | - | - | - | - | - | - | - | - | - | - | - | - | - | - | - | - |
| 1.2 | 1422610 | Verbundstoffbuchse | Bush | Douille | | 4025 DX | - | - | - | 4 | 4 | - | - | - | - | - | - | - | - | - | - | - | - | - | - | - | - | - | - | - | - | - | - | - | - | - |
| 1.3B | 1443490 | Luftventil | Air valve | Soupape à aérage | | | - | - | - | 1 | 1 | - | - | - | - | - | - | - | - | - | - | - | - | - | - | - | - | - | - | - | - | - | - | - | - | - |
| 1B | 3714362 | Hydrozylinder | Cylinder | Vérin | 58.02-223 B | 75/40/525/1343 | - | - | - | - | 2 | 2 | 2 | 2 | 2 | 2 | - | - | - | - | - | - | - | - | - | - | - | - | - | - | - | - | - | - | - | - |
| 1E | 3714365 | Hydrozylinder | Cylinder | Vérin | 58.02-223 E | 75/40/525/1343 | - | - | - | - | 2 | 2 | 2 | 2 | 2 | 2 | - | - | - | - | - | - | - | - | - | - | - | - | - | - | - | - | - | - | - | - |
| 1.1B | 3721480 | Dichtungssatz | Seal kit | Jeu de joints | 58.02-223-01 | 75/40 | - | - | - | - | 1 | 1 | 1 | 1 | 1 | 1 | - | - | - | - | - | - | - | - | - | - | - | - | - | - | - | - | - | - | - | - |
| 1.1E | 3778450 | Dichtungssatz | Seal kit | Jeu de joints | 58.02-223-01 E | | - | - | - | - | 1 | 1 | 1 | 1 | 1 | 1 | - | - | - | - | - | - | - | - | - | - | - | - | - | - | - | - | - | - | - | - |
| 1.2 | 1422610 | Verbundstoffbuchse | Bush | Douille | | 4025 DX | - | - | - | - | 4 | 4 | 4 | 4 | 4 | 4 | - | - | - | - | - | - | - | - | - | - | - | - | - | - | - | - | - | - | - | - |
| 1.3B | 1443490 | Luftventil | Air valve | Soupape à aérage | | | - | - | - | - | 1 | 1 | 1 | 1 | 1 | 1 | - | - | - | - | - | - | - | - | - | - | - | - | - | - | - | - | - | - | - | - |
| 1B | 3714370 | Hydrozylinder | Cylinder | Vérin | 58.02-224 | 70/40/539/1427 | - | - | - | - | - | - | - | - | - | - | 2 | 2 | - | - | - | - | - | - | - | - | - | - | - | - | - | - | - | - | - | - |
| 1E | 3714375 | Hydrozylinder | Cylinder | Vérin | 58.02-224 E | 70/40/539/1427 | - | - | - | - | - | - | - | - | - | - | 2 | 2 | - | - | - | - | - | - | - | - | - | - | - | - | - | - | - | - | - | - |
| 1.1B | 3721470 | Dichtungssatz | Seal kit | Jeu de joints | 58.02-221-01 | 70/40 | - | - | - | - | - | - | - | - | - | - | 1 | 1 | - | - | - | - | - | - | - | - | - | - | - | - | - | - | - | - | - | - |
| 1.1E | 3778430 | Dichtungssatz | Seal kit | Jeu de joints | 58.02-221-01 E | | - | - | - | - | - | - | - | - | - | - | 1 | 1 | - | - | - | - | - | - | - | - | - | - | - | - | - | - | - | - | - | - |
| 1.2 | 1422610 | Verbundstoffbuchse | Bush | Douille | | 4025 DX | - | - | - | - | - | - | - | - | - | - | 4 | 4 | - | - | - | - | - | - | - | - | - | - | - | - | - | - | - | - | - | - |
| 1.3B | 1443490 | Luftventil | Air valve | Soupape à aérage | | | - | - | - | - | - | - | - | - | - | - | 1 | 1 | - | - | - | - | - | - | - | - | - | - | - | - | - | - | - | - | - | - |

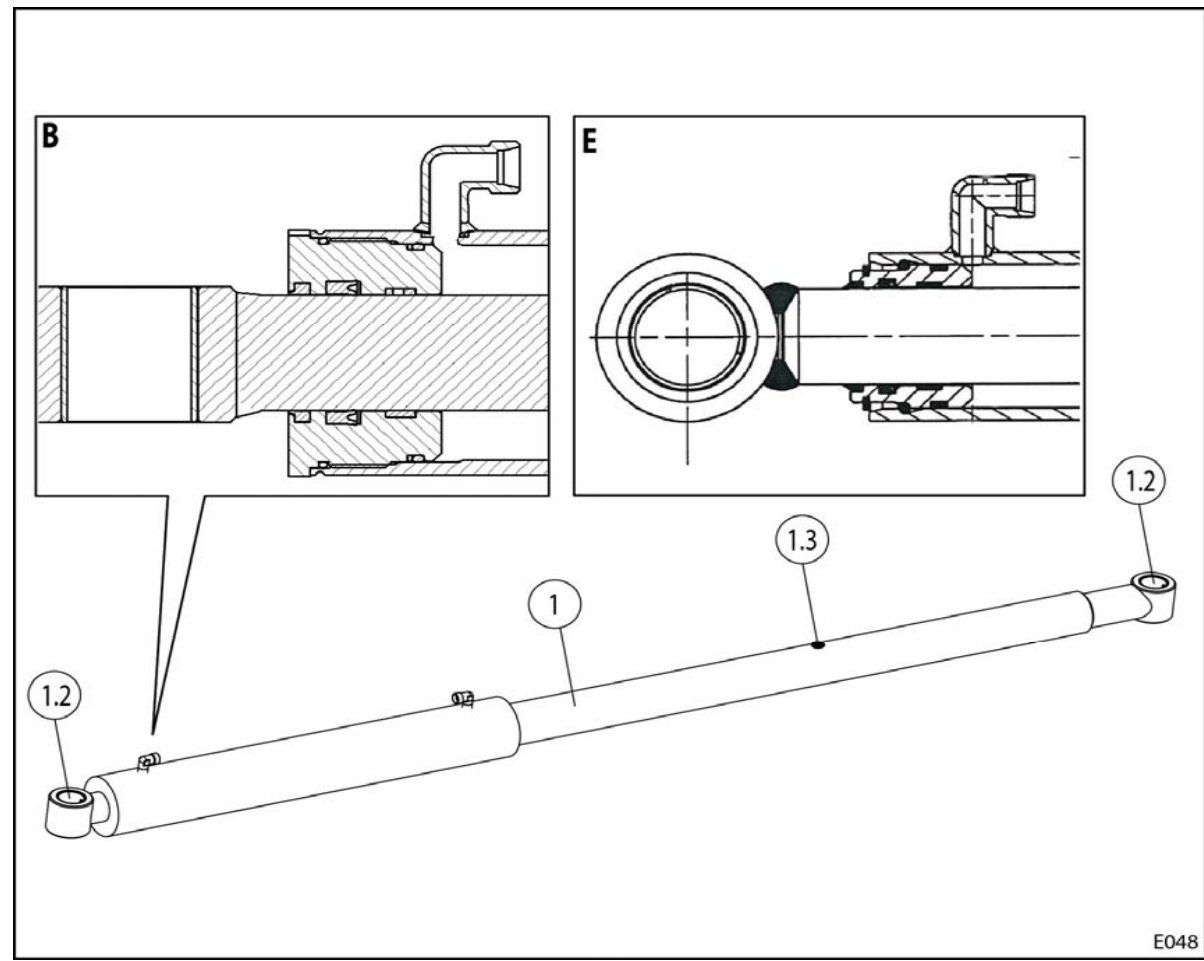
DE Werkzeugzylinder FZ
EN Tool actuating cylinder FZ
FR Vérin d'outil FZ



E048

| E048 | | Werkzeugzylinder FZ | Tool actuating cylinder FZ | Vérin d'outil FZ | | | | | | | | | | | | | | | | | | | | | | | | | | | | | | | | | | | |
|------|-------------|------------------------|-------------------------------|------------------|----------------|----------------|----------|------------|----------|------------|----------|------------|----------|------------|----------|------------|----------|------------|----------|------------|----------|------------|----------|------------|----------|------------|----------|------------|------------|------------|------------|------------|------------|------------|---|---|---|---|---|
| Pos. | Bestell-Nr. | Benennung | Description | Désignation | Zeichnungsnr. | SIZE/MASS | FZ 36-20 | FZ 36-20.1 | FZ 36-24 | FZ 36-24.1 | FZ 39-23 | FZ 39-23.1 | FZ 39-27 | FZ 39-27.1 | FZ 39-31 | FZ 39-31.1 | FZ 41-25 | FZ 41-25.1 | FZ 41-29 | FZ 41-29.1 | FZ 41-33 | FZ 41-33.1 | FZ 43-27 | FZ 43-27.1 | FZ 43-30 | FZ 43-30.1 | FZ 43-34 | FZ 43-34.1 | FZ 46-26.1 | FZ 46-29.1 | FZ 46-33.1 | FZ 48-33.1 | FZ 48-37.1 | FZ 48-42.1 | | | | | |
| 1B | 3714380 | Hydrozylinder | Cylinder | Vérin | 58.02-225 | 75/40/539/1427 | - | - | - | - | - | - | - | - | - | - | - | - | - | 2 | 2 | - | - | - | - | - | - | - | - | - | - | - | - | - | - | - | - | | |
| 1E | 3714385 | Hydrozylinder | Cylinder | Vérin | 58.02-225 E | 75/40/539/1427 | - | - | - | - | - | - | - | - | - | - | - | - | - | 2 | 2 | - | - | - | - | - | - | - | - | - | - | - | - | - | - | - | - | - | |
| 1.1B | 3721480 | Dichtungssatz | Seal kit | Jeu de joints | 58.02-223-01 | 75/40 | - | - | - | - | - | - | - | - | - | - | - | - | - | 1 | 1 | - | - | - | - | - | - | - | - | - | - | - | - | - | - | - | - | | |
| 1.1E | 3778460 | Dichtungssatz | Seal kit | Jeu de joints | 58.02-225-01 E | | - | - | - | - | - | - | - | - | - | - | - | - | - | 1 | 1 | - | - | - | - | - | - | - | - | - | - | - | - | - | - | - | - | - | |
| 1.2 | 1422610 | Verbundstoffbuchse | Bush | Douille | | 4025 DX | - | - | - | - | - | - | - | - | - | - | - | - | - | 4 | 4 | - | - | - | - | - | - | - | - | - | - | - | - | - | - | - | - | - | |
| 1.3B | 1443490 | Luftventil | Air valve | Soupape à aérage | | | - | - | - | - | - | - | - | - | - | - | - | - | - | 1 | 1 | - | - | - | - | - | - | - | - | - | - | - | - | - | - | - | - | - | |
| 1B | 3714390 | Hydrozylinder | Cylinder | Vérin | 58.02-226 | 80/45/539/1427 | - | - | - | - | - | - | - | - | - | - | - | - | - | - | - | 2 | 2 | - | - | - | - | - | - | - | - | - | - | - | - | - | - | - | |
| 1.1B | 3721490 | Dichtungssatz | Seal kit | Jeu de joints | 58.02-226-01 | 80/45 | - | - | - | - | - | - | - | - | - | - | - | - | - | - | - | 1 | 1 | - | - | - | - | - | - | - | - | - | - | - | - | - | - | - | |
| 1.2B | 1422610 | Verbundstoffbuchse | Bush | Douille | | 4025 DX | - | - | - | - | - | - | - | - | - | - | - | - | - | - | - | 4 | 4 | - | - | - | - | - | - | - | - | - | - | - | - | - | - | - | |
| 1.3B | 1443490 | Luftventil | Air valve | Soupape à aérage | | | - | - | - | - | - | - | - | - | - | - | - | - | - | - | - | 1 | 1 | - | - | - | - | - | - | - | - | - | - | - | - | - | - | - | |
| 1B | 3714400 | Hydrozylinder | Cylinder | Vérin | 58.02-227 | 75/40/540/1469 | - | - | - | - | - | - | - | - | - | - | - | - | - | - | - | - | 2 | 2 | - | - | - | - | - | - | - | - | - | - | - | - | - | - | |
| 1E | 3714405 | Hydrozylinder | Cylinder | Vérin | 58.02-227 E | 75/40/540/1469 | - | - | - | - | - | - | - | - | - | - | - | - | - | - | - | - | 2 | 2 | - | - | - | - | - | - | - | - | - | - | - | - | - | - | |
| 1.1B | 3721480 | Dichtungssatz | Seal kit | Jeu de joints | 58.02-223-01 | 75/40 | - | - | - | - | - | - | - | - | - | - | - | - | - | - | - | - | 1 | 1 | - | - | - | - | - | - | - | - | - | - | - | - | - | - | |
| 1.1E | 3778460 | Dichtungssatz | Seal kit | Jeu de joints | 58.02-225-01 E | | - | - | - | - | - | - | - | - | - | - | - | - | - | - | - | - | 1 | 1 | - | - | - | - | - | - | - | - | - | - | - | - | - | - | |
| 1.2B | 1422610 | Verbundstoffbuchse | Bush | Douille | | 4025 DX | - | - | - | - | - | - | - | - | - | - | - | - | - | - | - | - | 4 | 4 | - | - | - | - | - | - | - | - | - | - | - | - | - | - | |
| 1.3B | 1443490 | Luftventil | Air valve | Soupape à aérage | | | - | - | - | - | - | - | - | - | - | - | - | - | - | - | - | - | 1 | 1 | - | - | - | - | - | - | - | - | - | - | - | - | - | - | |
| 1B | 3714410 | Hydrozylinder | Cylinder | Vérin | 58.02-228 | 85/45/540/1469 | - | - | - | - | - | - | - | - | - | - | - | - | - | - | - | - | - | - | - | 2 | 2 | 2 | 2 | - | - | - | - | - | - | - | - | - | |
| 1.1B | 3721500 | Dichtungssatz | Seal kit | Jeu de joints | 58.02-228-01 | 85/45 | - | - | - | - | - | - | - | - | - | - | - | - | - | - | - | - | - | - | - | 1 | 1 | 1 | 1 | - | - | - | - | - | - | - | - | - | |
| 1.2B | 1422610 | Verbundstoffbuchse | Bush | Douille | | 4025 DX | - | - | - | - | - | - | - | - | - | - | - | - | - | - | - | - | - | - | - | 4 | 4 | 4 | 4 | - | - | - | - | - | - | - | - | - | - |
| 1.3B | 1443490 | Luftventil | Air valve | Soupape à aérage | | | - | - | - | - | - | - | - | - | - | - | - | - | - | - | - | - | - | - | - | 1 | 1 | 1 | 1 | - | - | - | - | - | - | - | - | - | - |
| 1B | 3.714.420 | Hydrozylinder | Cylinder | Vérin | 58.02-229 | 80/45/543/1659 | - | - | - | - | - | - | - | - | - | - | - | - | - | - | - | - | - | - | - | - | - | - | 2 | - | - | - | - | - | - | - | - | - | |
| 1.1B | 3.721.490 | Dichtungssatz | Seal kit | Jeu de joints | 58.02-226-01 | 80/45 | - | - | - | - | - | - | - | - | - | - | - | - | - | - | - | - | - | - | - | - | - | - | - | 1 | - | - | - | - | - | - | - | - | |
| 1.2B | 1422610 | Verbundstoffbuchse | Bush | Douille | | 4025 DX | - | - | - | - | - | - | - | - | - | - | - | - | - | - | - | - | - | - | - | - | - | - | - | 4 | - | - | - | - | - | - | - | - | |
| 1.3B | 1443490 | Luftventil | Air valve | Soupape à aérage | | | - | - | - | - | - | - | - | - | - | - | - | - | - | - | - | - | - | - | - | - | - | - | - | - | - | - | - | - | - | - | - | - | |
| 1B | 3.714.430 | Hydrozylinder | Cylinder | Vérin | 58.02-230 | 85/45/543/1659 | - | - | - | - | - | - | - | - | - | - | - | - | - | - | - | - | - | - | - | - | - | - | - | - | - | - | - | - | - | 2 | 2 | - | - |
| 1.1B | 3.721.500 | Dichtungssatz | Seal kit | Jeu de joints | 58.02-228-01 | 85/45 | - | - | - | - | - | - | - | - | - | - | - | - | - | - | - | - | - | - | - | - | - | - | - | - | - | - | - | - | 1 | 1 | - | - | |
| 1.2B | 1422610 | Verbundstoffbuchse | Bush | Douille | | 4025 DX | - | - | - | - | - | - | - | - | - | - | - | - | - | - | - | - | - | - | - | - | - | - | - | - | - | - | - | - | 4 | 4 | - | - | |
| 1.3B | 1443490 | Luftventil | Air valve | Soupape à aérage | | | - | - | - | - | - | - | - | - | - | - | - | - | - | - | - | - | - | - | - | - | - | - | - | - | - | - | - | - | 1 | 1 | - | - | |

DE Werkzeugzylinder FZ
EN Tool actuating cylinder FZ
FR Vérin d'outil FZ



E048

| E048 | | Werkzeugzylinder FZ | Tool actuating cylinder FZ | Vérin d'outil FZ | | | | | | | | | | | | | | | | | | | | | | | | | | | | | | | | | | | |
|------|-------------|------------------------|-------------------------------|------------------|----------------|----------------|----------|------------|----------|------------|----------|------------|----------|------------|----------|------------|----------|------------|----------|------------|----------|------------|----------|------------|----------|------------|----------|------------|------------|------------|------------|------------|------------|------------|---|---|---|---|---|
| Pos. | Bestell-Nr. | Benennung | Description | Désignation | Zeichnungsnr. | SIZE/MASS | FZ 36-20 | FZ 36-20.1 | FZ 36-24 | FZ 36-24.1 | FZ 39-23 | FZ 39-23.1 | FZ 39-27 | FZ 39-27.1 | FZ 39-31 | FZ 39-31.1 | FZ 41-25 | FZ 41-25.1 | FZ 41-29 | FZ 41-29.1 | FZ 41-33 | FZ 41-33.1 | FZ 43-27 | FZ 43-27.1 | FZ 43-30 | FZ 43-30.1 | FZ 43-34 | FZ 43-34.1 | FZ 46-26.1 | FZ 46-29.1 | FZ 46-33.1 | FZ 48-33.1 | FZ 48-37.1 | FZ 48-42.1 | | | | | |
| 1B | 3.714.440 | Hydrozylinder | Cylinder | Vérin | 58.02-231 | 85/50/543/1963 | - | - | - | - | - | - | - | - | - | - | - | - | - | - | - | - | - | - | - | - | - | - | - | - | - | - | - | - | - | - | - | - | |
| 1E | 3714445 | Hydrozylinder | Cylinder | Vérin | 58.02-231 E | 85/50/543/1963 | - | - | - | - | - | - | - | - | - | - | - | - | - | - | - | - | - | - | - | - | - | - | - | - | - | - | - | - | - | - | - | - | |
| 1.1B | 3.721.510 | Dichtungssatz | Seal kit | Jeu de joints | 58.02-231-01 | 85/50 | - | - | - | - | - | - | - | - | - | - | - | - | - | - | - | - | - | - | - | - | - | - | - | - | - | - | - | - | - | - | - | | |
| 1.1E | 3778470 | Dichtungssatz | Seal kit | Jeu de joints | 58.02-231-01 E | | - | - | - | - | - | - | - | - | - | - | - | - | - | - | - | - | - | - | - | - | - | - | - | - | - | - | - | - | - | - | - | - | |
| 1.2B | 1422610 | Verbundstoffbuchse | Bush | Douille | | 4025 DX | - | - | - | - | - | - | - | - | - | - | - | - | - | - | - | - | - | - | - | - | - | - | - | - | - | - | - | - | - | - | - | - | |
| 1.3B | 1443490 | Luftventil | Air valve | Soupape à aérage | | | - | - | - | - | - | - | - | - | - | - | - | - | - | - | - | - | - | - | - | - | - | - | - | - | - | - | - | - | - | - | - | - | |
| 1B | 3.714.450 | Hydrozylinder | Cylinder | Vérin | 58.02-232 | 90/50/543/1962 | - | - | - | - | - | - | - | - | - | - | - | - | - | - | - | - | - | - | - | - | - | - | - | - | - | - | - | - | - | - | - | - | |
| 1E | 3714455 | Hydrozylinder | Cylinder | Vérin | 58.02-232 E | 90/50/543/1962 | - | - | - | - | - | - | - | - | - | - | - | - | - | - | - | - | - | - | - | - | - | - | - | - | - | - | - | - | - | - | - | - | |
| 1.1B | 3.721.610 | Dichtungssatz | Seal kit | Jeu de joints | 58.02-232-01 | 90/50 | - | - | - | - | - | - | - | - | - | - | - | - | - | - | - | - | - | - | - | - | - | - | - | - | - | - | - | - | - | - | - | - | |
| 1.3B | 1443490 | Luftventil | Air valve | Soupape à aérage | | | - | - | - | - | - | - | - | - | - | - | - | - | - | - | - | - | - | - | - | - | - | - | - | - | - | - | - | - | - | - | - | - | |
| 1B | 3714450 | Hydrozylinder | Cylinder | Vérin | 58.02-232 | 90/50/543/1962 | - | - | - | - | - | - | - | - | - | - | - | - | - | - | - | - | - | - | - | - | - | - | - | - | - | - | - | - | - | - | - | - | |
| 1E | 3714455 | Hydrozylinder | Cylinder | Vérin | 58.02-232 E | 90/50/543/1962 | - | - | - | - | - | - | - | - | - | - | - | - | - | - | - | - | - | - | - | - | - | - | - | - | - | - | - | - | - | - | - | - | - |
| 1.1B | 3721610 | Dichtungssatz | Seal kit | Jeu de joints | 58.02-232-01 | 90/50 | - | - | - | - | - | - | - | - | - | - | - | - | - | - | - | - | - | - | - | - | - | - | - | - | - | - | - | - | - | - | - | - | |
| 1.1E | 3778480 | Dichtungssatz | Seal kit | Jeu de joints | 58.02-232-01 E | | - | - | - | - | - | - | - | - | - | - | - | - | - | - | - | - | - | - | - | - | - | - | - | - | - | - | - | - | - | - | - | - | |
| 1.2B | 1422610 | Verbundstoffbuchse | Bush | Douille | | 4025 DX | - | - | - | - | - | - | - | - | - | - | - | - | - | - | - | - | - | - | - | - | - | - | - | - | - | - | - | - | - | - | - | - | |
| 1.3B | 1443490 | Luftventil | Air valve | Soupape à aérage | | | - | - | - | - | - | - | - | - | - | - | - | - | - | - | - | - | - | - | - | - | - | - | - | - | - | - | - | - | - | - | - | - | |



Anschweißaugen aus Sicherheitsgründen nicht lieferbar.

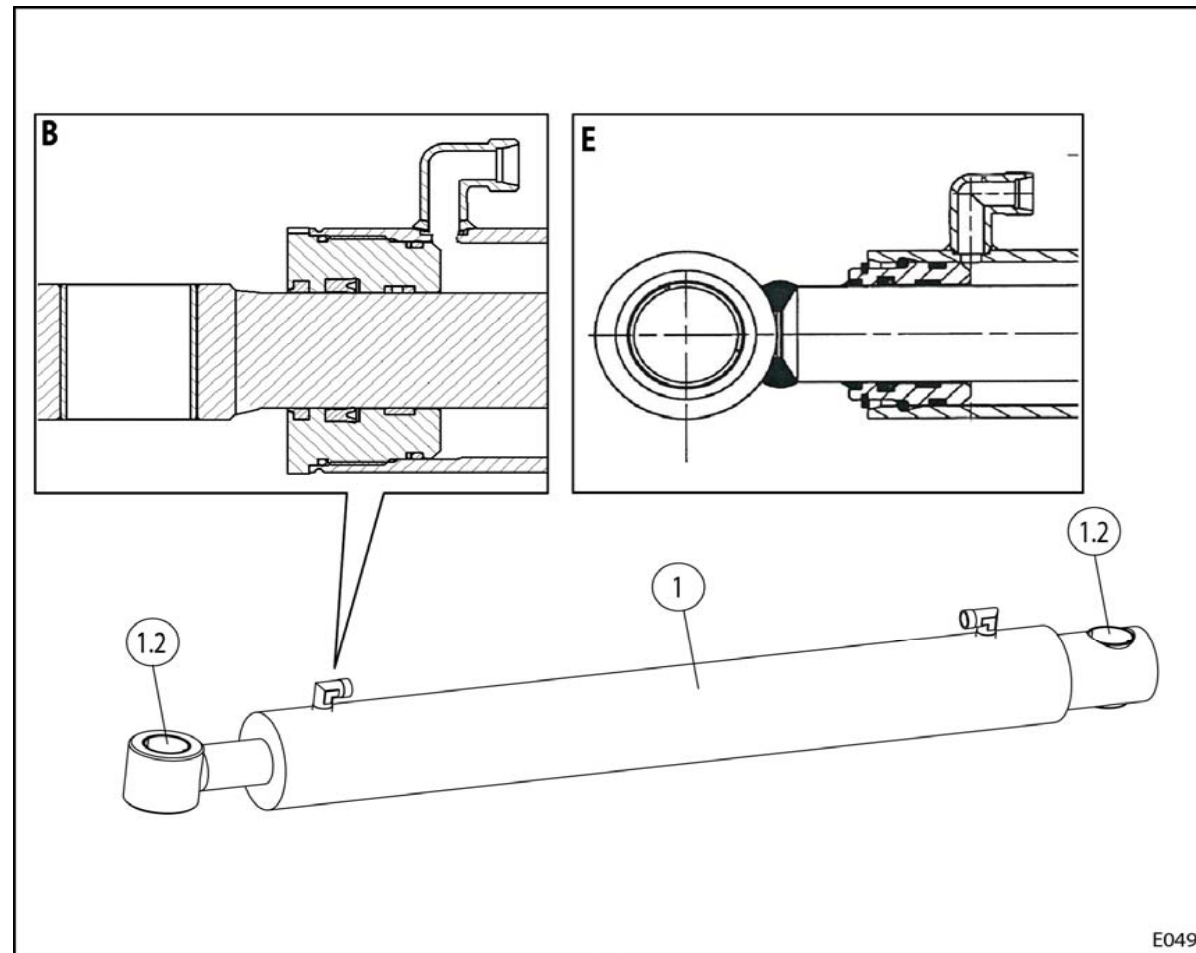


Weld-on eyelets not available due to safety reasons.



Yeux pour soudé non disponible pour des raisons de sécurité.

DE Werkzeugzylinder FS
EN Tool actuating cylinder FS
FR Vérin d'outil FS



E049

| E049 | | Werkzeugzylinder FS | Tool actuating cylinder FS | Vérin d'outil FS | | | | | | | | | | | | |
|------|-------------|---------------------|----------------------------|------------------|----------------|---------------|----------|------------|----------|------------|----------|------------|----------|------------|----------|------------|
| Pos. | Bestell-Nr. | Benennung | Description | Désignation | Zeichnungsnr. | SIZE/MASS | FS 36-24 | FS 36-24.1 | FS 39-27 | FS 39-27.1 | FS 39-31 | FS 39-31.1 | FS 41-33 | FS 41-33.1 | FS 43-34 | FS 43-34.1 |
| 1B | 3714852 | Hydrozylinder | Cylinder | Vérin | 58.02-240 B | 70/40/604/907 | 2 | 2 | - | - | - | - | - | - | - | - |
| 1E | 3714855 | Hydrozylinder | Cylinder | Vérin | 58.02-240 E | 70/40/604/907 | 2 | 2 | - | - | - | - | - | - | - | - |
| 1.1B | 3721400 | Dichtungssatz | Seal kit | Jeu de joints | 58.02-212-01 | 70/40 | 1 | 1 | - | - | - | - | - | - | - | - |
| 1.1E | 3778400 | Dichtungssatz | Seal kit | Jeu de joints | 58.02-240-01 E | | 1 | 1 | - | - | - | - | - | - | - | - |
| 1.2 | 1422610 | Verbundstoffbuchse | Bush | Douille | | 4025 DX | 4 | 4 | - | - | - | - | - | - | - | - |
| 1B | 3714862 | Hydrozylinder | Cylinder | Vérin | 58.02-241 B | 75/45/604/957 | - | - | 2 | 2 | 2 | 2 | - | - | - | - |
| 1E | 3714865 | Hydrozylinder | Cylinder | Vérin | 58.02-241 E | 75/45/604/957 | - | - | 2 | 2 | 2 | 2 | - | - | - | - |
| 1.1B | 3721410 | Dichtungssatz | Seal kit | Jeu de joints | 58.02-213-01 | 75/45 | - | - | 1 | 1 | 1 | 1 | - | - | - | - |
| 1.1E | 3778370 | Dichtungssatz | Seal kit | Jeu de joints | 58.02-216-01 E | | - | - | 1 | 1 | 1 | 1 | - | - | - | - |
| 1.2 | 1422610 | Verbundstoffbuchse | Bush | Douille | | 4025 DX | - | - | 4 | 4 | 4 | 4 | - | - | - | - |
| 1B | 3714872 | Hydrozylinder | Cylinder | Vérin | 58.02-242 B | 80/45/604/957 | - | - | - | - | - | - | 2 | 2 | - | - |
| 1E | 3714875 | Hydrozylinder | Cylinder | Vérin | 58.02-242 E | 80/45/604/957 | - | - | - | - | - | - | 2 | 2 | - | - |
| 1.1B | 3721420 | Dichtungssatz | Seal kit | Jeu de joints | 58.02-214-01 | 80/45 | - | - | - | - | - | - | 1 | 1 | - | - |
| 1.1E | 3778350 | Dichtungssatz | Seal kit | Jeu de joints | 58.02-214-01 E | | - | - | - | - | - | - | 1 | 1 | - | - |
| 1.2 | 1422610 | Verbundstoffbuchse | Bush | Douille | | 4025 DX | - | - | - | - | - | - | 4 | 4 | - | - |
| 1B | 3714882 | Hydrozylinder | Cylinder | Vérin | 58.02-243 B | 85/45/604/957 | - | - | - | - | - | - | - | - | 2 | 2 |
| 1E | 3714885 | Hydrozylinder | Cylinder | Vérin | 58.02-243 E | 85/45/604/957 | - | - | - | - | - | - | - | - | 2 | 2 |
| 1.1B | 3721430 | Dichtungssatz | Seal kit | Jeu de joints | 58.02-215-01 | 85/45 | - | - | - | - | - | - | - | - | 1 | 1 |
| 1.1E | 3778410 | Dichtungssatz | Seal kit | Jeu de joints | 58.02-243-01 E | | - | - | - | - | - | - | - | - | 1 | 1 |
| 1.2 | 1422610 | Verbundstoffbuchse | Bush | Douille | | 4025 DX | - | - | - | - | - | - | - | - | 4 | 4 |



Anschweißaugen aus Sicherheitsgründen nicht lieferbar.



Weld-on eyelets not available due to safety reasons.

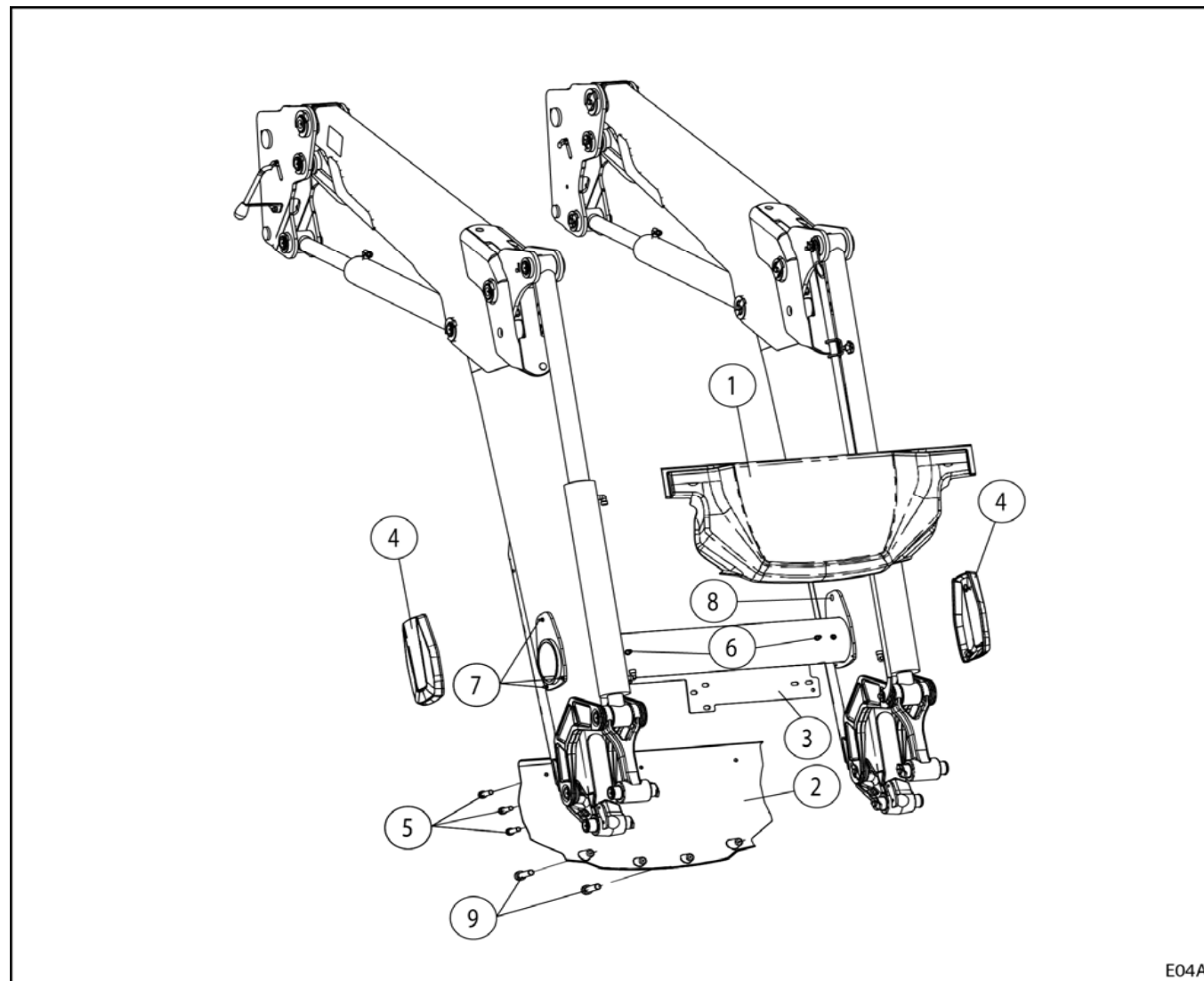


Yeux pour soudé non disponible pour des raisons de sécurité.

DE Abdeckungen

EN Covers

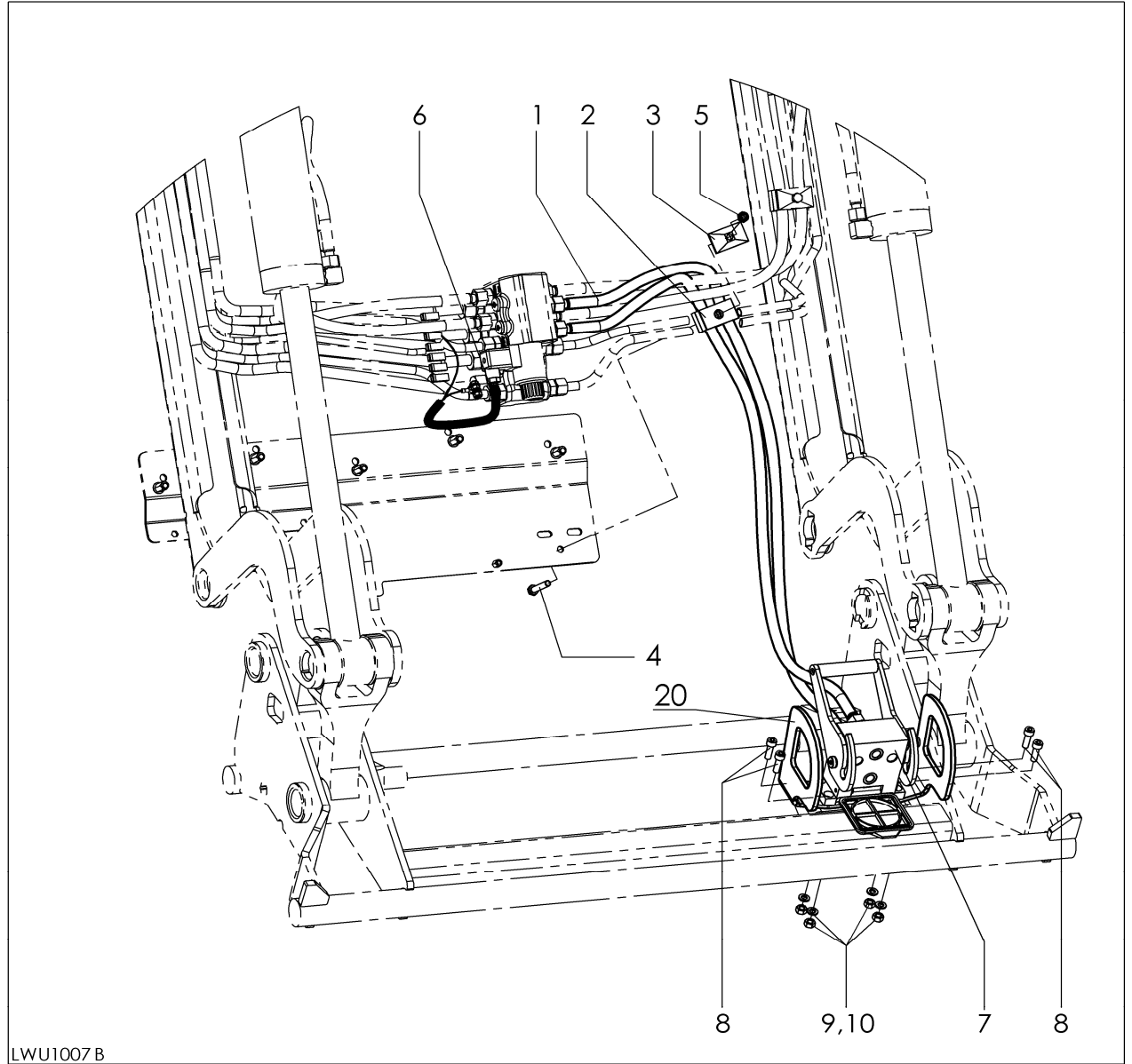
FR Plaques de protection



DE Hydraulikausrüstung REAL3 und
3. Steuerkreis

EN Hydraulic equipment REAL3 and
3rd control circuit

FR Equipement hydraulique REAL3
et 3e circuit de commande



LWU1007 B

| LWU1007 | | Hydraulikrüstung REAL3 und 3. Steuerkreis | Hydraulic equipment REAL3 and 3rd control circuit | Equipement hydraulique REAL3 et 3e circuit de commande | | | | |
|---------|-------------|---|--|---|-------------------|--------------------|--------------------------|------------------------------|
| Pos. | Bestell-Nr. | Benennung | Description | Désignation | Zeichnungsnr. | SIZE/MASS | FS/FZ 36-20 bis 43-34 | FS/FZ 36-20.1 bis 48-42.1 |
| 1 | 1429380 | Schlauchleitung* | Hose pipe* | Flexible* | | 10x1100 1SC NN | 2 | - |
| 1 | 1429450 | Schlauchleitung* (für Skid-Steer-Wechselrahmen) | Hose pipe* (for Skid-Steer change frame) | Flexible* (pour cadre porte-outils Skid Steer) | | 10x1200 1SC NN | 2 | - |
| 1 | 1429390 | Schlauchleitung* | Hose pipe* | Flexible* | | 10x1300 1SC NN | - | 2 |
| 2 | 3648890 | Rohrschellenhälfte* | Pipe clip* | Bride pour tuyaux* | | 215/15-PA-H | 2 | 2 |
| 3 | 1429310 | Deckplatte* | Cover plate* | Plaque supérieur* | | GD 2D SW | 1 | 1 |
| 4 | 0060570 | Sechskantschraube* | Screw* | Vis* | | M8x60 8.8 | 1 | 1 |
| 5 | 0200600 | Sicherungsmutter* | Nut* | Ecrou* | | NM8 8 | 1 | 1 |
| 6 | 3466790 | Anschlusskabel Ventil* | Connection cable valve* | Câble de raccordement valve* | 58.725-19-03-11 | 400 mm | 1 | 1 |
| 7 | 1405590 | Werkzeug-Fix | Implement Fix | Implement Fix | | FAST 2P206-2-2/18F | 1 | 1 |
| 8 | 0478260 | Zylinderschraube | Cylinder screw | Vis a cylindre | | M8x25 8.8 | 4 | 4 |
| 9 | 0452140 | Sperrkantring | Safety ring | Bague de sécurité | | VSK 8 | 4 | 4 |
| 10 | 0011630 | Sechskantmutter | Nut | Ecrou | | M8 8 | 4 | 4 |
| 20 | 3477610 | Schutzbügel | Protection frame | Protection | 58.735-02-02-00.3 | | - | 1 |

*nur für 3. Steuerkreis

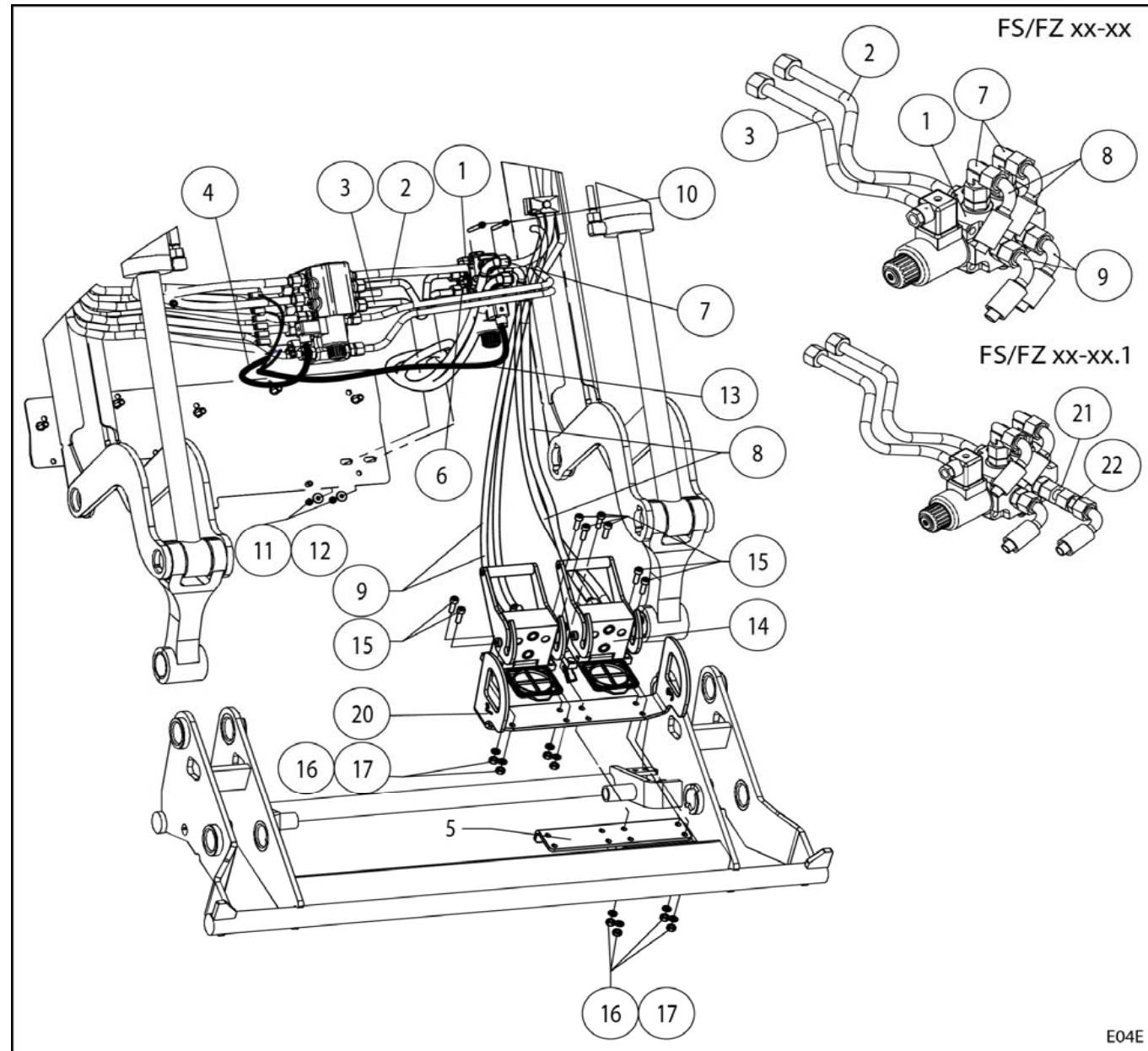
*for 3rd control circuit only

*seulement pour 3e circuit de commande

DE Hydraulikausrüstung
4. Steuerkreis

EN Hydraulic equipment
4th control circuit

FR Equipement hydraulique
4e circuit de commande



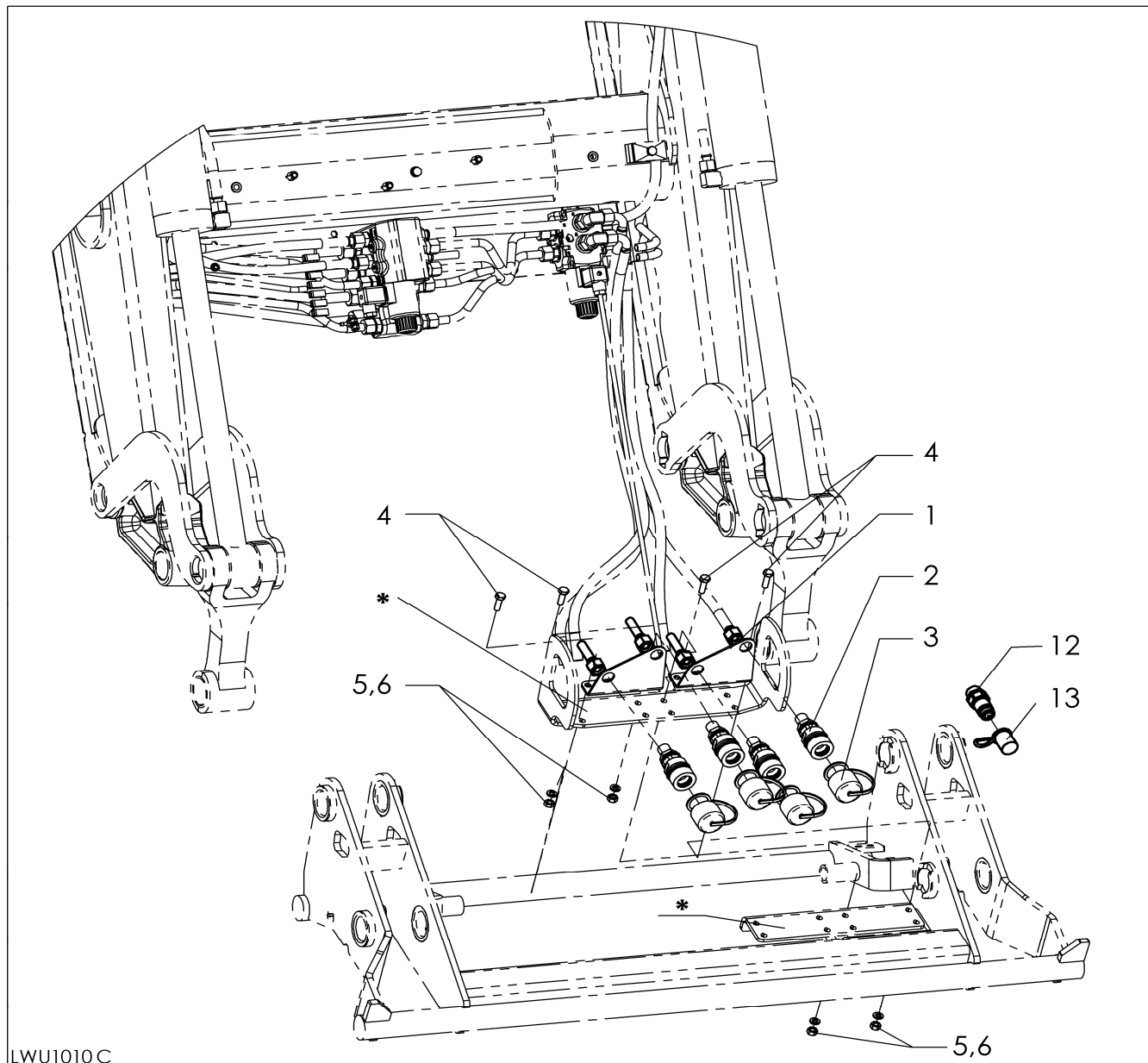
E04E

| E04E | | Hydraulikausrüstung 4. Steuerkreis | Hydraulic equipment 4th control circuit | Equipement hydraulique 4e circuit de commande | | | | |
|------|-------------|---------------------------------------|--|--|--------------------|---------------------|--------------------------|------------------------------|
| Pos. | Bestell-Nr. | Benennung | Description | Désignation | Zeichnungsnr. | SIZE/MASS | FS/FZ 36-20 bis 43-34 | FS/FZ 36-20.1 bis 48-42.1 |
| 1 | 1429100 | Ventilblock | Valve block | Bloc hydraulique | 58.725-19-04-01 | | 1 | 1 |
| 2 | 3454830 | Hydraulikrohr | Hydraulic pipe cpl. | Tuyau hydraulique cpl. | 58.725-19-04-02 | | 1 | - |
| 2 | 3746980 | Hydraulikrohr | Hydraulic pipe cpl. | Tuyau hydraulique cpl. | 58.924-02-19-04-02 | | - | 1 |
| 3 | 3454840 | Hydraulikrohr | Hydraulic pipe cpl. | Tuyau hydraulique cpl. | 58.725-19-04-03 | | 1 | - |
| 3 | 3746990 | Hydraulikrohr | Hydraulic pipe cpl. | Tuyau hydraulique cpl. | 58.924-02-19-04-03 | | - | 1 |
| 4 | 3466790 | Anschlusskabel Ventil kpl | Connection cable valve | Câble de raccordement valve | 58.725-19-03-11 | 400 mm | 1 | 1 |
| 5 | 3456250 | Halter | Support | Support | 58.725-02-02-00.2 | | 1 | - |
| 6 | 1428930 | Gerader Einschraubstutzen | Screwed connection | Raccord droit | | EGESD 12LR1/4WD A3L | 6 | 6 |
| 7 | 0207801 | Einstellbare Winkelverschraubung | Variable elbow connection | Raccord coudé | | EWSD 12L A3L | 2 | 1 |
| 8 | 1429370 | Schlauchleitung | Hose pipe | Flexible | | 10x800 1SC N RKN90 | 2 | 2 |
| 9 | 1429360 | Schlauchleitung | Hose pipe | Flexible | | 10x900 1SC N RKN90 | 2 | 2 |
| 10 | 1430090 | Zylinderschraube | Cylinder screw | Vis | | M6x55 8.8 | 2 | 2 |
| 11 | 0412570 | Sicherungsmutter | Self locking nut | Ecrou autofreiné | | NM6 8 | 2 | 2 |
| 12 | 0418390 | Scheibe | Washer | Rondelle | | A 6,4 | 2 | - |
| 13 | 3466810 | Anschlusskabel Ventil | Connection cable valve | Câble de raccordement valve | 58.725-19-03-12 | 700 mm | 1 | 1 |
| 14 | 1405590 | Werkzeug-Fix | Implement Fix | Implement Fix | | FAST 2P206-2-2/18F | 1 | 1 |
| 15 | 0478260 | Zylinderschraube | Cylinder screw | Vis | | M8x25 8.8 | 4 | 4 |
| 16 | 0452140 | Sperrkantring | Safety ring | Bague de sécurité | | VSK 8 | 4 | 4 |
| 17 | 0011630 | Sechskantmutter | Nut | Ecrou | | M8 | 4 | 4 |
| 20 | 3477690 | Schutzbügel | Protection frame | Protection | 58.735-02-02-00.2 | | - | 1 |
| 21 | 0487940 | Gerade Verbindung | Straight connector | Manchon vissé droit | | WA SNV 12L | - | 1 |
| 22 | 0016511 | Gerader Stutzen | Straight connector | Manchon vissé droit | | WA GS 12L | - | 1 |


DE Kupplungen für REAL3,
3., 3. und 4. Steuerkreis

EN Couplings for REAL3,
3rd, 3rd and 4th control circuit

FR Connexions pour REAL3, 3e, 3e et 4e circuit
de commande



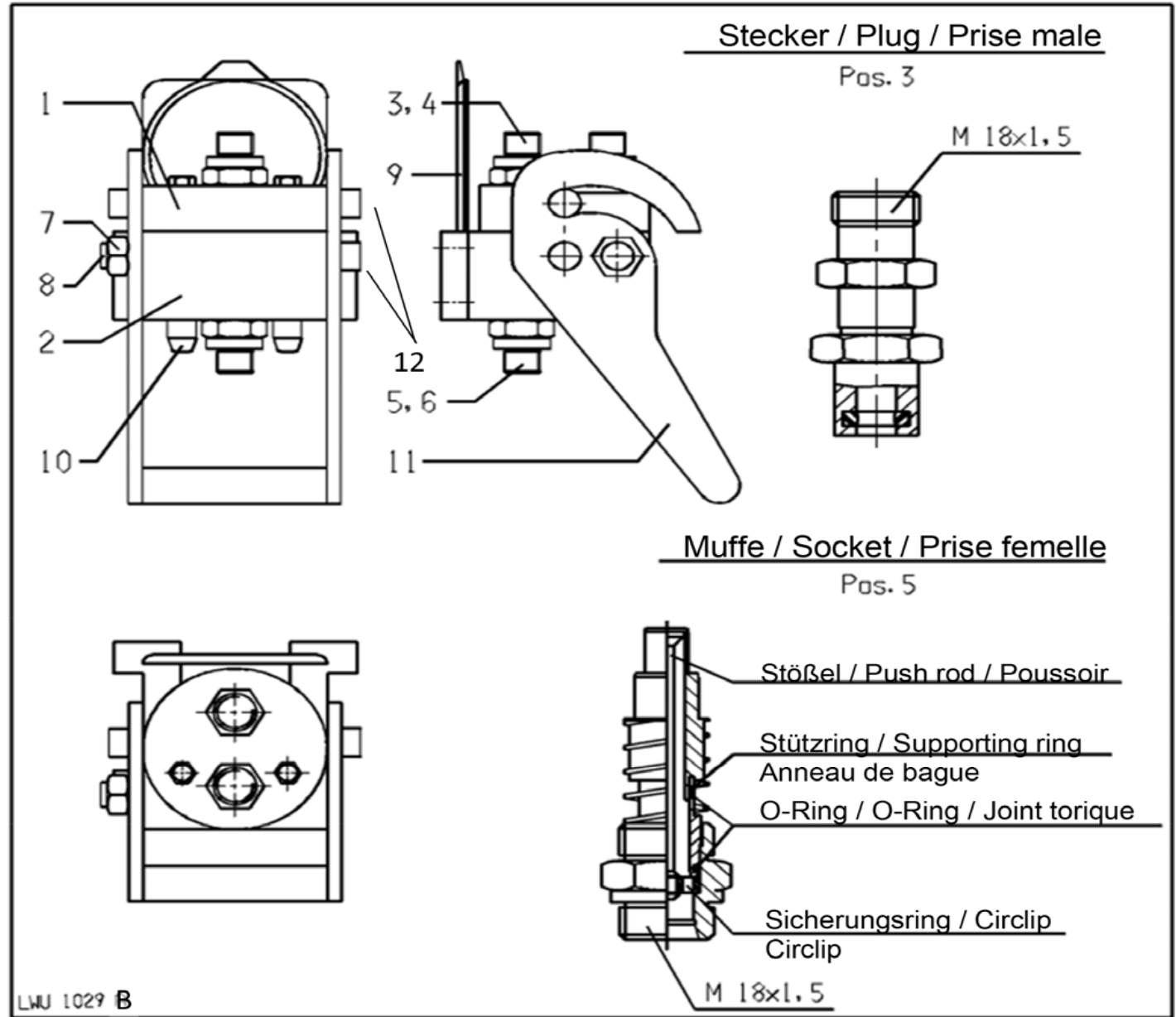
LWU1010C

| LWU1010 | | Kupplungen für REAL3, 3., 3. und 4. Steuerkreis | Couplings for REAL3, 3rd, 3rd and 4th control circuit | Connexions pour REAL3, 3e, 3e et 4e circuit de commande | | | |
|---------|---|---|---|--|-----------------|-----------|-------|
| Pos. | Bestell-Nr. | Benennung | Description | Désignation | Zeichnungsnr. | SIZE/MASS | FS/FZ |
| 1 | 3561780 | Halter | Support | Support | 58.725-319-00.1 | | 1/2 |
| 4 | 0202190 | Sechskantschraube | Screw | Vis | | M8x30 8.8 | 2/4 |
| 5 | 0452140 | Sicherheitsring | Safety ring | Bague de sécurité | | 8 | 2/4 |
| 6 | 0011630 | Sechskantmutter | Nut | Ecrou | | M8 | 2/4 |
| |  | Halter siehe Pos. 5 / 20 in Kapitel Hydraulikausrüstung 4. Steuerkreis | Support see Pos. 5 / 20 in chapter Hydraulic equipment 4th control circuit | Support voir Pos. 5 / 20 dans le chapitre Equipement hydraulique 4e circuit de commande | | | |
| | | Schraubkupplung | Screw coupling | Connexion vissée | | | |
| 2 | 0416570 | Kupplungsmuffe | Hydraulic coupling | Prise femelle | | DN10 | 2/4 |
| 3 | 0418490 | Schutzkappe | Dust cap | Capuchon | | GR 3 | 2/4 |
| X | 1418250 | Kupplungsmuffe steck. | Hydraulic coupling | Prise femelle | | DN10 | X |
| X | 0205810 | Staubkappe steck. | Guard plug plunged | Capuchon ibnséré | | GR 3 | X |
| | | Steckkupplung | Plug-in coupling | Connexion Push-Pull | | | |
| 12 | 1429760 | Kupplungsstecker | Coupler plug | Prise femelle | | DN10 | 2/4 |
| 13 | 0205800 | Staubmuffe | Dust cap | Capuchon | | GR 3 | 2/4 |
| X | 0416560 | Kupplungsstecker geschraubt | Coupling plug screwed | Connecteur de couplage vissé | | DN10 | X |
| X | 0418500 | Schutzstopfen geschraubt | Protective plug screwed | Bouchon de protection vissé | | GR 3 | X |

DE Werkzeug-Fix für REAL3, 3. und 4. Steuerkreis

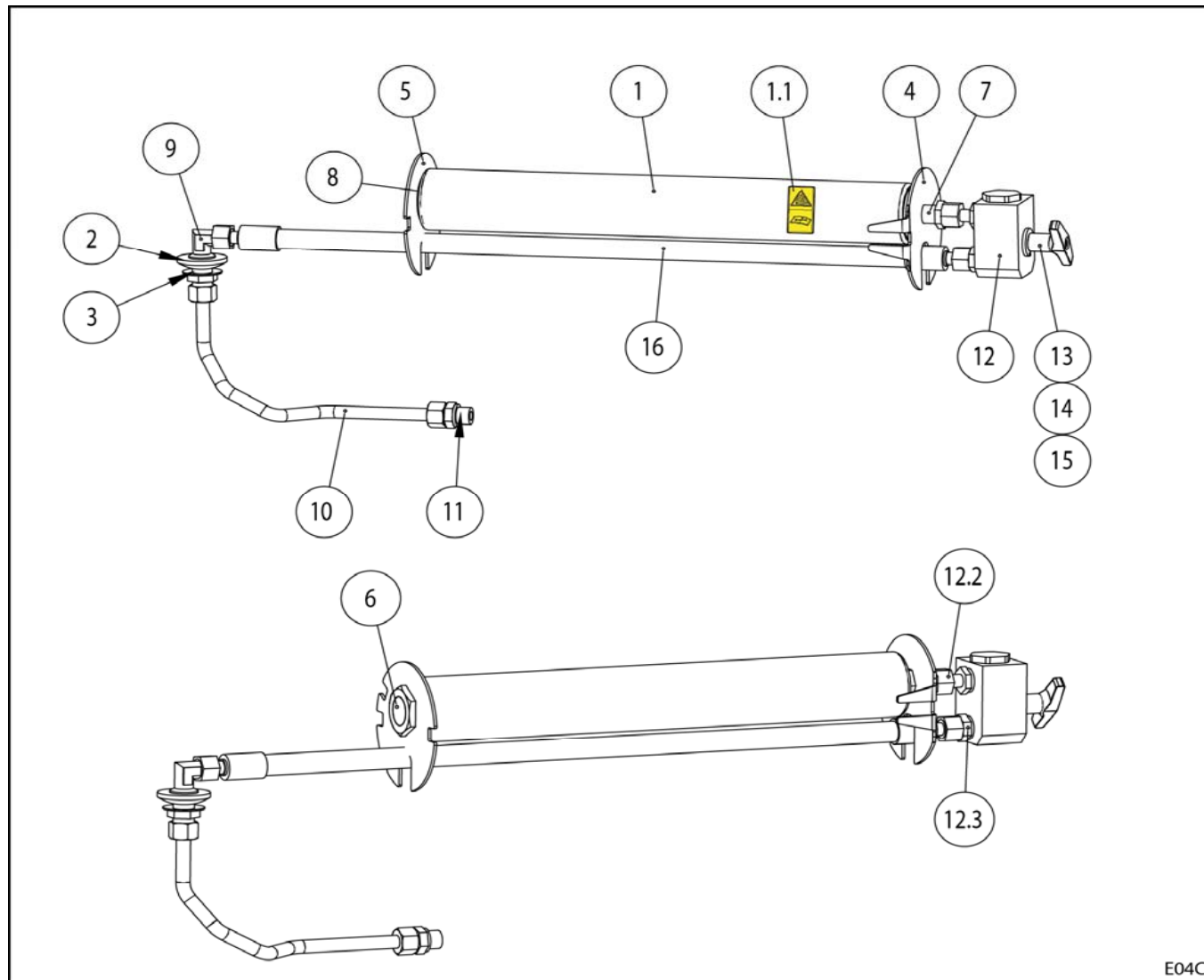
EN Implement Fix for REAL3, 3rd and 4th control circuit

FR Implement Fix pour REAL3, 3e et 4e circuit de commande



| LWU1029 | | Werkzeug-Fix für REAL3, 3. und 4. Steuerkreis | Implement Fix for REAL3, 3rd and 4th control circuit | Implement Fix pour REAL3, 3e et 4e circuit de commande | | | |
|---------|-------------|---|--|--|---------------|---------------|-------|
| Pos. | Bestell-Nr. | Benennung | Description | Désignation | Zeichnungsnr. | SIZE/MASS | FS/FZ |
| - | 2476830 | Werkzeug-Fix | Implement Fix | Implement Fix | | 2P 206-2-2/18 | 1 |
| 1 | 1405580 | Stecker-Teller | Plug plate | Demi connexion chargeur | | | 1 |
| 2 | 1405590 | Muffe-Teller | Socket plate | Demi connexion outil | | | 1 |
| 3 | 1406920 | Stecker | Plug | Prise male | | | 2 |
| 4 | 1420520 | Dichtsatz | Seal kit | Jeu de joints | | | 2 |
| 5 | 1406910 | Muffe | Socket | Prise femelle | | | 2 |
| 6 | 1402250 | Dichtung | Sealing | Joint | | | 2 |
| 7 | 0481840 | Zubehör | Accessoires | Accessoire | | Kit SP4 | 1 |
| 8 | 1416750 | Sicherheitsverriegelung | Safety locking | Verrouillage de sécurité | | Kit SP5B | 1 |
| 9 | 1410840 | Deckel | Cover | Couvercle | | TAB 2 | 1 |
| 10 | 0494680 | Führungsbolzen mit Mutter | Bolt with nut | Boulon avec écrou | | GP4 | 2 |
| 11 | 1410850 | Hebel | Lever | Levier | | LP206 | 1 |
| 12 | 0494700 | Schrauben-Kit | Screw Kit | Kit de visserie | | VP4 | 2 |

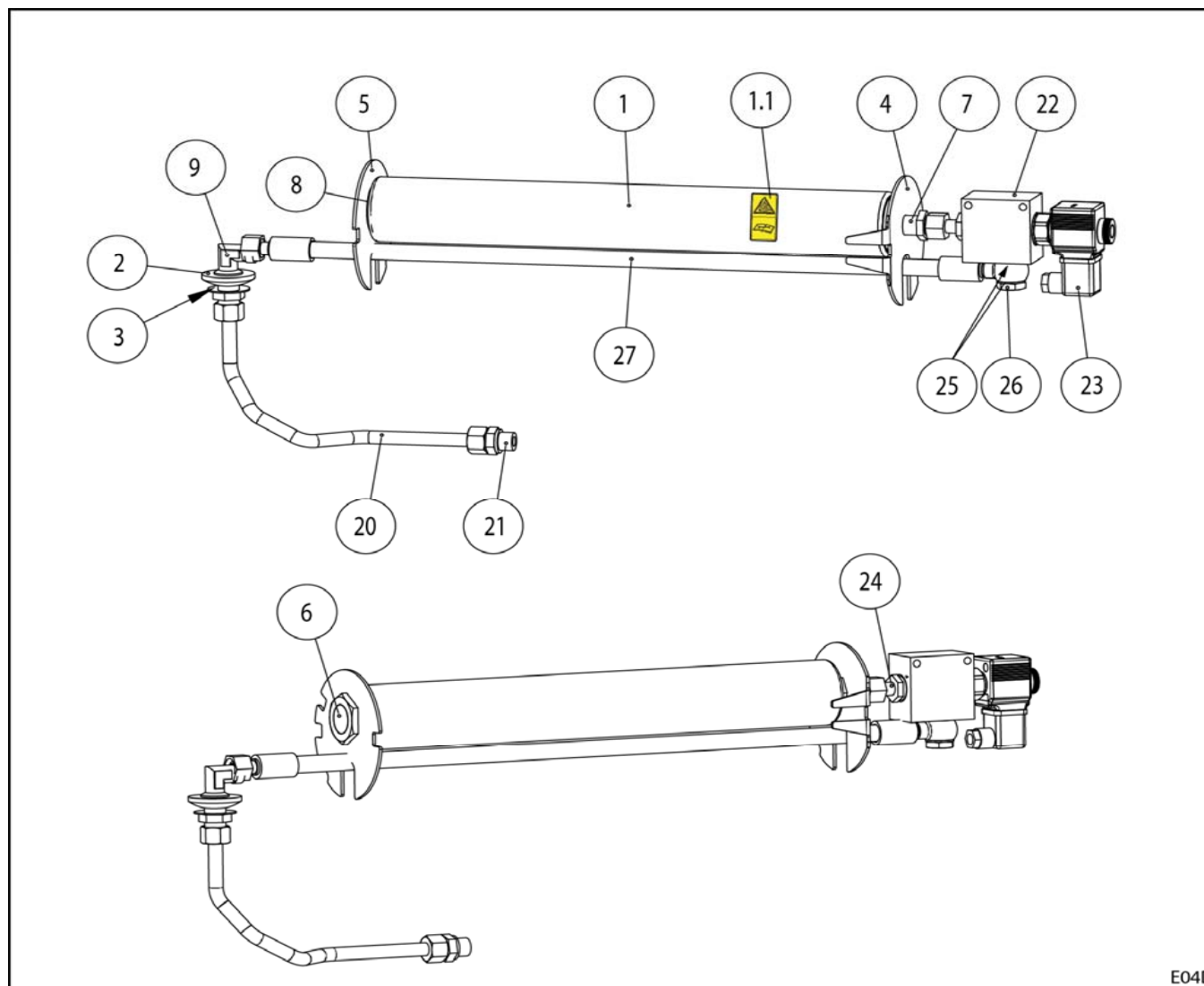
DE Comfort-Drive
EN Comfort Drive
FR Comfort-Drive







E04C

| E04C+E04D | | Comfort-Drive | Comfort Drive | Comfort-Drive | | | | | | | |
|-----------|-------------|--------------------------------|-------------------------------|------------------------------|----------------------|------------------|--------------------------|------------------------------|--------------------------|------------------------------|------------------------------|
| Pos. | Bestell-Nr. | Benennung | Description | Désignation | Zeichnungsnr. | SIZE/MASS | FS/FZ 36-20 bis 39-31 | FS/FZ 36-20.1 bis 39-31.1 | FS/FZ 41-25 bis 43-34 | FS/FZ 41-25.1 bis 43-34.1 | FS/FZ 46-26.1 bis 48-42.1 |
| 1 | 1432380 | Kolbenspeicher kpl. | Piston accumulator cpl. | Accumulateur à piston compl. | | 0,75 l | 1 | 1 | 1 | 1 | - |
| 1 | 1432390 | Kolbenspeicher kpl. | Piston accumulator cpl. | Accumulateur à piston compl. | | 1,0 l | - | - | - | - | 1 |
| 1.1 | 1432670 | Aufkleber | Decal | Autocollant | | | 1 | 1 | 1 | 1 | 1 |
| 2 | 3454030 | Speicherscheibe | Accumulator washer | Plaque de l'accumulateur | 58.725-19-05-00.1 | | 1 | 1 | 1 | 1 | 1 |
| 3 | 1607800 | Tellerfeder | Cup spring | Rondelle ressort | 99.83-00.70 Z | B 35.5 D2093 | 1 | 1 | 1 | 1 | 1 |
| 4 | 3741750 | Speicherplatte | Accumulator plate | Plaque de l'accumulateur | 58.924-01-19-06-00.8 | | 1 | 1 | - | - | - |
| 4 | 3741760 | Speicherplatte | Accumulator plate | Plaque de l'accumulateur | 58.928-01-19-06-00.8 | | - | - | 1 | 1 | - |
| 4 | 3741770 | Speicherplatte | Accumulator plate | Plaque de l'accumulateur | 58.932-02-19-06-00.8 | | - | - | - | - | 1 |
| 5 | 3741260 | Speicherplatte | Accumulator plate | Plaque de l'accumulateur | 58.924-01-19-06-00.2 | | 1 | 1 | - | - | - |
| 5 | 3741270 | Speicherplatte | Accumulator plate | Plaque de l'accumulateur | 58.928-01-19-06-00.2 | | - | - | 1 | 1 | - |
| 5 | 3741280 | Speicherplatte | Accumulator plate | Plaque de l'accumulateur | 58.932-02-19-06-00.2 | | - | - | - | - | 1 |
| 6 | 3509660 | Deckelverschraubung | Cap fitting | Bouchon à vis | 58.725-19-05-00.6 | M28x 1,6 | 1 | 1 | 1 | 1 | 1 |
| 7 | 1408850 | Schottstutzen | Bulkhead fitting | Raccord droit | | GES G1/2"A-12L | 1 | 1 | 1 | 1 | 1 |
| 8 | 1416340 | Stützscheibe | Supporting disk | Rondelle d'appui | | 32x45x2.5 | 1 | 1 | 1 | 1 | - |
| 9 | 0412851 | Winkel-Schottstutzen | Elbow bulkhead fitting | Raccord angle droit | | WSS 12 L A3L | 1 | 1 | 1 | 1 | 1 |
| | | Mechanische Umschaltung | Mechanical change-over | Commande manuelle | | | | | | | |
| 10 | 3741950 | Hydraulikrohr Speicher | Hydraulic pipe | Tuyau hydraulique | 58.924-01-19-06-01 | | 1 | 1 | - | - | - |
| 10 | 3742270 | Hydraulikrohr Speicher | Hydraulic pipe | Tuyau hydraulique | 58.928-01-19-06-01 | | - | - | 1 | 1 | - |
| 10 | 3741960 | Hydraulikrohr Speicher | Hydraulic pipe | Tuyau hydraulique | 58.932-02-19-06-01 | | - | - | - | - | 1 |
| 10.1 | 1429340 | Dichtung | Seal ring | Bague d'étanchéité | | 12L | 2 | 2 | 2 | 2 | 2 |
| 10.2 | 0016850 | Überwurfmutter | Union nut | Écrou-raccord | | M12L | 2 | 2 | 2 | 2 | 2 |
| 11 | 1428930 | Gerader Einschraubstutzen | Screwed connection | Raccord droit | | EGESD 12LR1/4WD | 1 | 1 | 1 | 1 | 1 |
| 12 | 3742300 | Absperrventil kpl. | Break valve cpl. | Robinet compléter | 58.921-19-05-02 | DN10 | 1 | 1 | 1 | 1 | 1 |
| 12.1 | 1442370 | Absperrventil DN10 | Break valve | Robinet | 58.921-19-05-02-01 | DN10 | 1 | 1 | 1 | 1 | 1 |
| 12.2 | 0450331 | Gerader Einschraubstutzen | Screwed connection | Raccord droit | | WA EGESD 12LR-WD | 1 | 1 | 1 | 1 | 1 |
| 12.3 | 1428930 | Gerader Einschraubstutzen | Screwed connection | Raccord droit | | WA GES 12LR-WD | 1 | 1 | 1 | 1 | 1 |
| 13 | 1442380 | Griff | Lever | Levier | 58.921-19-05-00.5 | | 1 | 1 | 1 | 1 | 1 |
| 14 | 0426680 | Scheibe | Washer | Rondelle | | A6,4 | 1 | 1 | 1 | 1 | 1 |
| 15 | 1405010 | Zylinderschraube | Screw | Vis | | M5x25 8.8 | 1 | 1 | 1 | 1 | 1 |
| 16 | 0483420 | Schlauchleitung | Hose line | Flexible | | 10x700 2SN AA | 1 | - | 1 | - | - |
| 16 | 1442360 | Schlauchleitung | Hose line | Flexible | | 10x880 2SN NN | - | 1 | - | 1 | - |
| 16 | 0319611 | Schlauchleitung | Hose line | Flexible | | 10x800 2SN AA | - | - | - | - | 1 |

DE Comfort-Drive
EN Comfort Drive
FR Comfort-Drive



E04D

| E04C+E04D | | Comfort-Drive | Comfort Drive | Comfort-Drive | | | | | | | |
|---|-------------|----------------------------------|-----------------------------------|-------------------------------------|--------------------|---------------------|--------------------------|------------------------------|--------------------------|------------------------------|------------------------------|
| Pos. | Bestell-Nr. | Benennung | Description | Désignation | Zeichnungsnr. | SIZE/MASS | FS/FZ 36-20 bis 39-31 | FS/FZ 36-20.1 bis 39-31.1 | FS/FZ 41-25 bis 43-34 | FS/FZ 41-25.1 bis 43-34.1 | FS/FZ 46-26.1 bis 48-42.1 |
| | | Elektrische Umschaltung | Electrical change-over | Commande électrique | | | | | | | |
| 20 | 3741950 | Hydraulikrohr Speicher | Hydraulic pipe | Tuyau hydraulique | 58.924-01-19-06-01 | | 1 | 1 | - | - | - |
| 20 | 3742270 | Hydraulikrohr Speicher | Hydraulic pipe | Tuyau hydraulique | 58.928-01-19-06-01 | | - | - | 1 | 1 | - |
| 20 | 3741960 | Hydraulikrohr Speicher | Hydraulic pipe | Tuyau hydraulique | 58.932-02-19-06-01 | | - | - | - | - | 1 |
| 20.1 | 1429340 | Dichtung | Seal ring | Bague d'étanchéité | | 12 L | 2 | 2 | 2 | 2 | 2 |
| 20.2 | 0016850 | Überwurfmutter | Union nut | Écrou-raccord | | M12L | 2 | 2 | 2 | 2 | 2 |
| 21 | 1428930 | Gerader Einschraubstutzen | Screwed connection | Raccord droit | | EGESD 12LR1/4WD A3L | 1 | 1 | 1 | 1 | 1 |
| 22 | 1440430 | Ventilblock Comfort-Drive | Comfort Drive valve block | Valve Comfort-Drive | 56.00-234-03-01 | | 1 | 1 | 1 | 1 | 1 |
| 22.1 | 1432520 | Gleichstrommagnet | Magnet | Bobine | | | 1 | 1 | 1 | 1 | - |
| 23 | 3742290 | Anschlusskabel Ventil | Connection cable Valve | Câble de raccordement valve | 58.921-19-06-11 | 1200 mm | 1 | 1 | 1 | 1 | 1 |
| 24 | 0450331 | Gerader Einschraubstutzen | Screwed connection | Raccord droit | | EGESD 12LR-WD A3L | 1 | 1 | 1 | 1 | 1 |
| 25 | 0498230 | USIT-Ring | Sealing ring | Anneau USIT | | 16,7-24-1,5 | 2 | 2 | 2 | 2 | 2 |
| 26 | 1442300 | Hohlschraube | Banjo bolt | Vis creuse | | 3/8 | 1 | 1 | 1 | 1 | 1 |
| 27 | 1442310 | Schlauchleitung | Hose line | Flexible | | 10x670 2SN N RN3/8 | 1 | 1 | 1 | 1 | - |
| 27 | 1442320 | Schlauchleitung | Hose line | Flexible | | 10x800 2SN N RN3/8 | - | - | - | - | 1 |
| | 0405660 | Kabelbinder | Cable tie | Attache-câble | | 7,6x200 | 2 | 2 | 2 | 2 | 2 |
|  | 3459530 | Elektro-Kit 42 Comfort-Drive | Electric kit 42 Comfort Drive | Kit électrique 42 Comfort-Drive | 58.725-25-12 | | - | - | - | - | - |
|  | 3518180 | Elektro-Kit 55 Comfort-Drive | Electric kit 55 Comfort Drive | Kit électrique 55 Comfort-Drive | 58.827-25-55 | | - | - | - | - | - |
|  | 3479990 | Elektro-Kit 49 CNH Comfort-Drive | Electric kit 49 CNH Comfort Drive | Kit électrique 49 CNH Comfort-Drive | 58.725-25-22 | | - | - | - | - | - |
|  | 3602360 | Ausrüstung Adapter | Equipment Adapter | Équipement Adaptateur | 58.753-01-07 | | - | - | - | - | - |



Bitte auch Kapitel Elektro-Funktionsschalter beachten.



Please also note the chapter on the electric function switches.

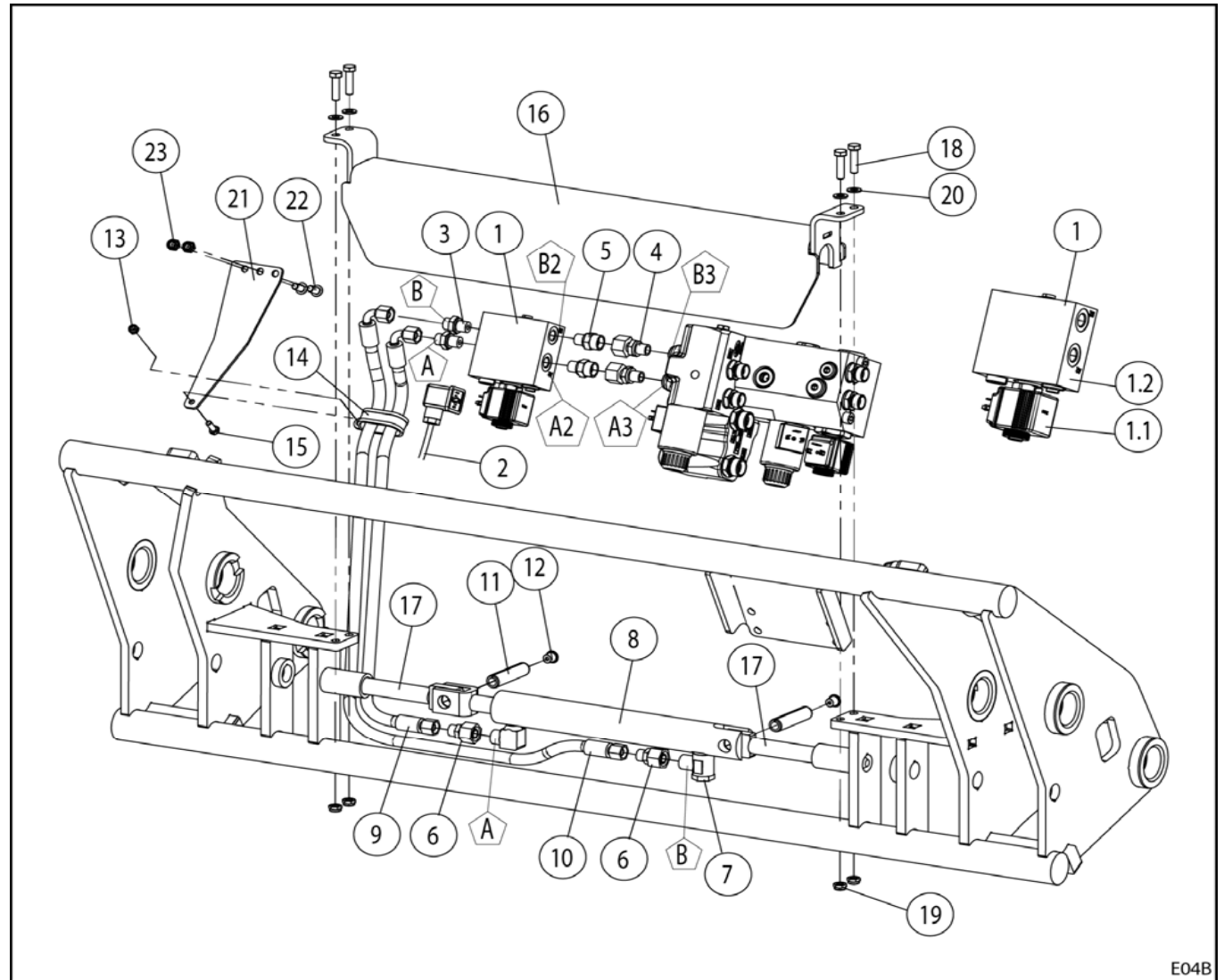


Veillez également noter le chapitre sur les interrupteurs électriques.

Hydraulische Werkzeug-
DE Verriegelung (Euro)

Hydraulic implement
EN locking mechanism (Euro)

Verrouillage hydraulique
FR de l'outil (Euro)



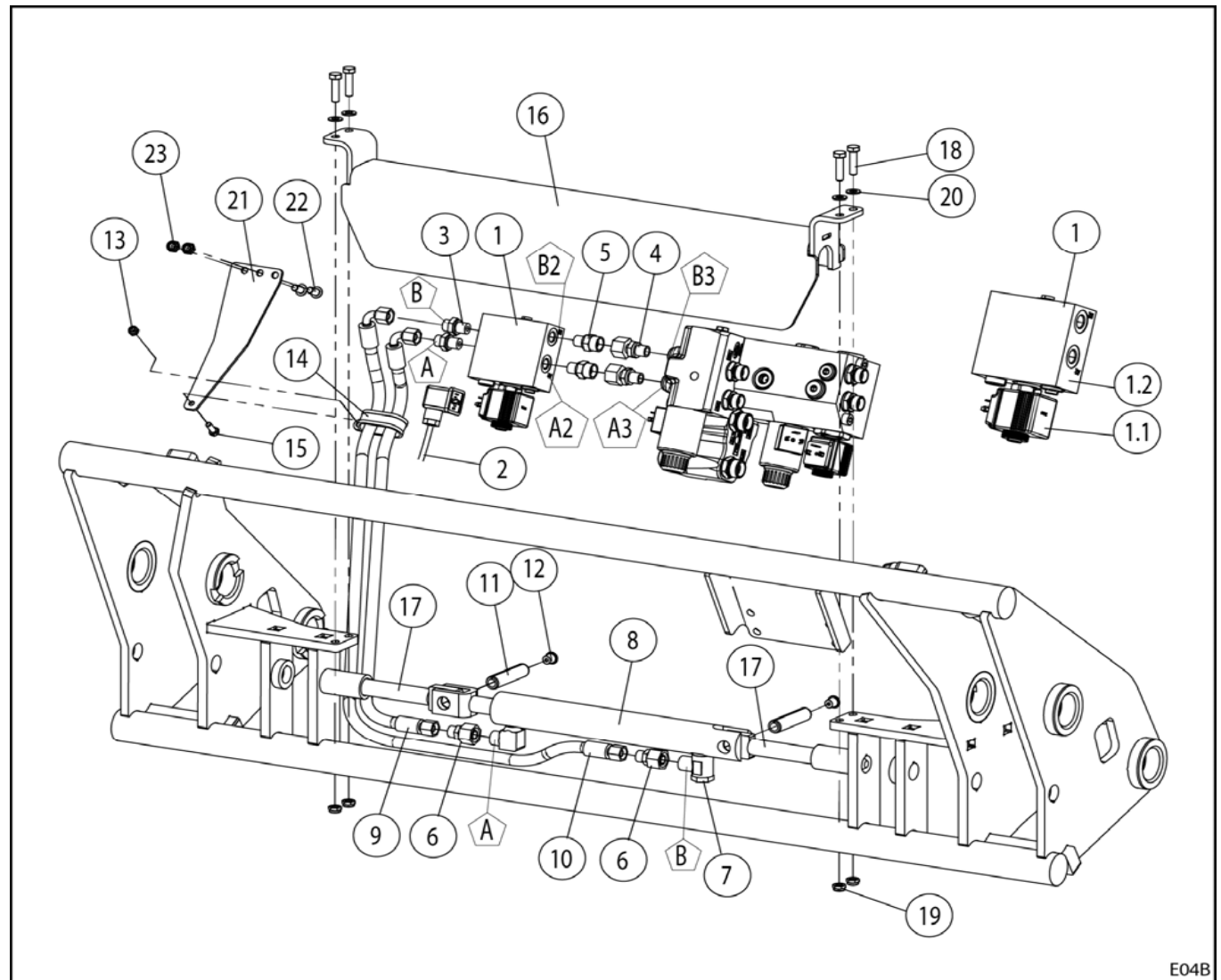
E04B

| E04B | | Hydraulische Werkzeug- Verriegelung (Euro) | Hydraulic implement locking mechanism (Euro) | Verrouillage hydraulique de l'outil (Euro) | | | | |
|------|-------------|---|---|---|-----------------------|----------------------|--------------------------|------------------------------|
| Pos. | Bestell-Nr. | Benennung | Description | Désignation | Zeichnungsnr. | SIZE/MASS | FS/FZ 36-20 bis 43-34 | FS/FZ 36-20.1 bis 48-42.1 |
| 1 | 1439840 | Ventilblock 140 bar | Valve block 140 bar | Bloc hydraulique 140 bar | 58.725-19-07-02 | | 1 | 1 |
| 1.1 | 1432520 | Gleichstrommagnet | Magnet | Bobine | | | 1 | 1 |
| 1.2 | 1432510 | Patrone 3/2-Wege | Cartridge | Cartouche | | | 1 | 1 |
| 2 | 3466790 | Anschlusskabel Ventil kpl | Connection cable valve | Câble de raccordement valve | 58.725-19-03-11 | 400 mm | 1 | 1 |
| 3 | 0428821 | Gerader Einschraubstutzen | Screwed connection | Raccord droit | | GES 8 LR A3L WA | 2 | 2 |
| 4 | 0453910 | Gerader Einschraubstutzen | Screwed connection | Raccord droit | | ESD 12LR1/4WD A3L WA | 2 | 2 |
| 5 | 0455770 | Gerader Einschraubstutzen | Screwed connection | Raccord droit | | GES 12 LR1/4 A3L WA | 2 | 2 |
| 6 | 0204041 | Reduzierschraubung | Reducing screw | Raccord | | REDSD 12/8L A3L WA | 2 | 2 |
| 7 | 0205742 | Drosselfr. Winkelschwenkstutzen | Elbow connection | Raccord coudé | | RSWS 12 LM18x1,5 A3L | 1 | 1 |
| 8 | 3398513 | Hydrozylinder | Cylinder | Vérin | 58.02-118 E | 32/20/170/370 | 1 | 1 |
| 8.1 | 3576530 | Dichtsatz | Seal kit | Jeu de joints | 58.02-118-01 E | | 1 | 1 |
| 9 | 3741570 | Schlauchleitung | Hose pipe | Flexible | | 6x840 R8 N RKN45 | 1 | - |
| 9 | 3741700 | Schlauchleitung | Hose pipe | Flexible | | 6x800 R8 N RKN90 | - | 1 |
| 10 | 3741580 | Schlauchleitung | Hose pipe | Flexible | | 6x1070 R8 N RKN45 | 1 | - |
| 10 | 3741710 | Schlauchleitung | Hose pipe | Flexible | | 6X1050 R8 N RKN90 | - | 1 |
| 11 | 0482320 | Spannstift | Pin | Goupille | | 16x70 ZN | 2 | 2 |
| 12 | 0437340 | Schutzstopfen | Guard plug | Capuchon | | U 6 | 2 | 2 |
| 13 | 0412570 | Sicherungsmutter | Self locking nut | Ecrou autofreiné | | NM6 8 | 1 | 1 |
| 14 | 2481270 | Rohrschelle | Pipe clamp | Attache de tuyau | | 1.2x23/15-W1 | 1 | 1 |
| 15 | 0011070 | Sechskantschraube | Screw | Vis | | M6x25 8.8 | 1 | 1 |
| 16 | 3732570 | Deckblech | Cover plate | Plaque de protection | 58.921-102-01-03 | | 1 | - |
| 17 | 2350530 | Stecker | Plug | prise mâle | 58.137-04 | | 2 | 2 |
| 18 | 0202190 | Sechskantschraube | Screw | Vis | | M8x30 8.8 | 4 | 4 |
| 19 | 0200600 | Sicherungsmutter | Self locking nut | Ecrou autofreiné | | NM8 8 | 4 | 4 |
| 20 | 3584350 | Scheibe | Washer | Rondelle | | A8,4 | 4 | 4 |
| 21 | 3741690 | Halter | Support | Support | 58.921-202-01-01-00.1 | | 1 | 1 |





Hydraulische Werkzeug-
DE Verriegelung (Euro)

Hydraulic implement
EN locking mechanism (Euro)

Verrouillage hydraulique
FR de l'outil (Euro)



E04B

| E04B | | Hydraulische Werkzeug-Verriegelung (Euro) | Hydraulic implement locking mechanism (Euro) | Verrouillage hydraulique de l'outil (Euro) | | | | |
|--|-------------|---|---|---|---------------|------------|-----------------------|---------------------------|
| Pos. | Bestell-Nr. | Benennung | Description | Désignation | Zeichnungsnr. | SIZE/MASS | FS/FZ 36-20 bis 43-34 | FS/FZ 36-20.1 bis 48-42.1 |
| 22 | 1442230 | Flachkopfschraube | Screw | Vis | | M8x16 10.9 | 2 | 2 |
| 23 | 0200600 | Sicherungsmutter | Self locking nut | Ecrou autofreiné | | NM8 8 | 2 | 2 |
|  | 3459520 | Elektro-Kit 43 Werkzeug-Verriegelung | Electric kit 43 implement locking | Kit électrique 43 verrouillage de l'outil | 58.725-25-11 | | 1 | 1 |
|  | 3518270 | Elektro-Kit 56 Werkzeug-Verriegelung | Electric kit 56 implement locking | Kit électrique 56 verrouillage de l'outil | 58.827-25-56 | | 1 | 1 |
|  | 3479980 | Elektro-Kit 48 CNH Werkzeug-Verriegelung | Electric kit 48 CNH implement locking | Kit électrique 48 CNH verrouillage de l'outil | 58.725-25-21 | | 1 | 1 |
|  | 3602360 | Ausrüstung Adapter hydraulische Werkzeug-Verriegelung | Equipment Adapter hydraulic implement locking mechanism | Equipement Adaptateur verrouillage hydraulique de l'outil | 58.753-01-07 | | 2 | 2 |



Bitte auch Kapitel Elektro-Funktionsschalter beachten.



Please also note the chapter on the electric function switches.



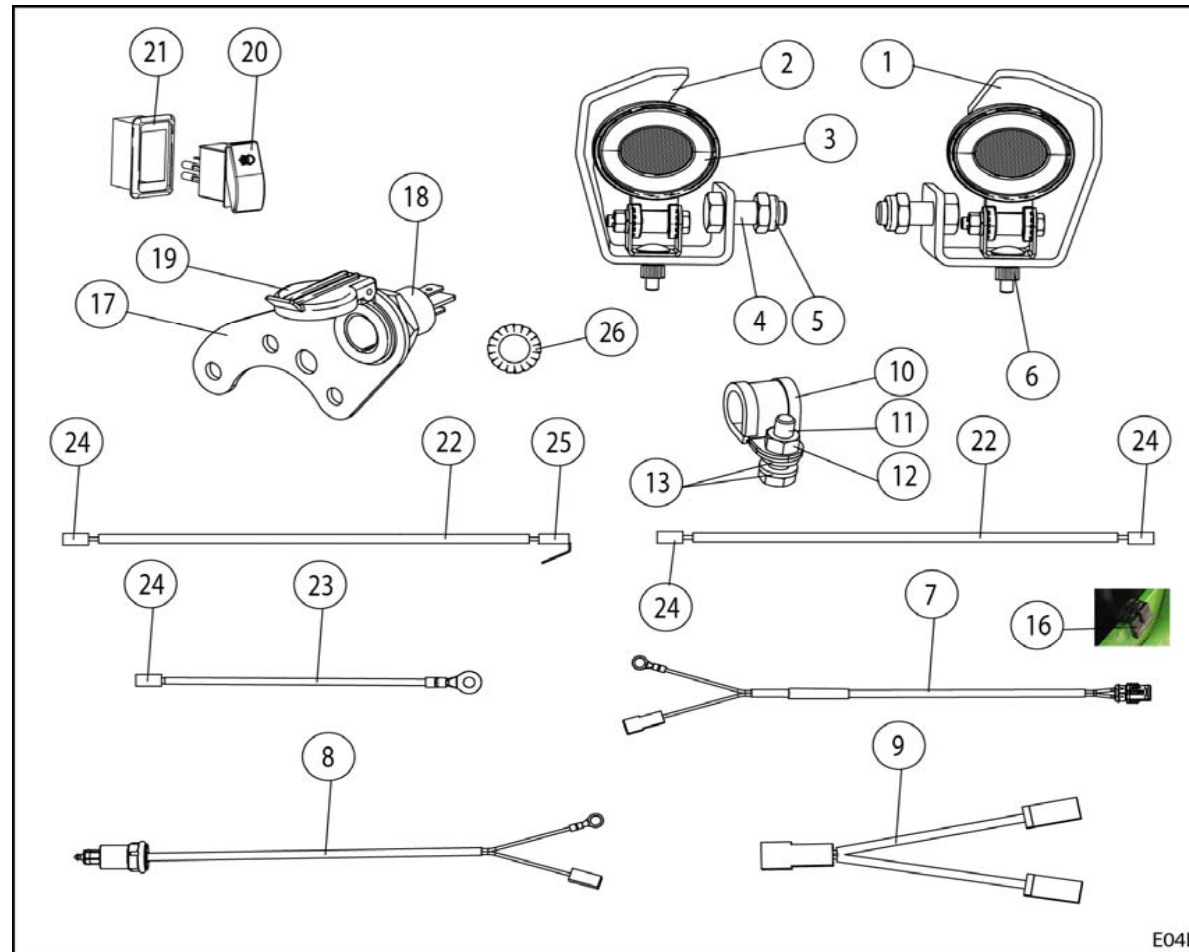
Veillez également noter le chapitre sur les interrupteurs électriques.

ProfiLine FZ

DE Scheinwerfer

EN Headlights

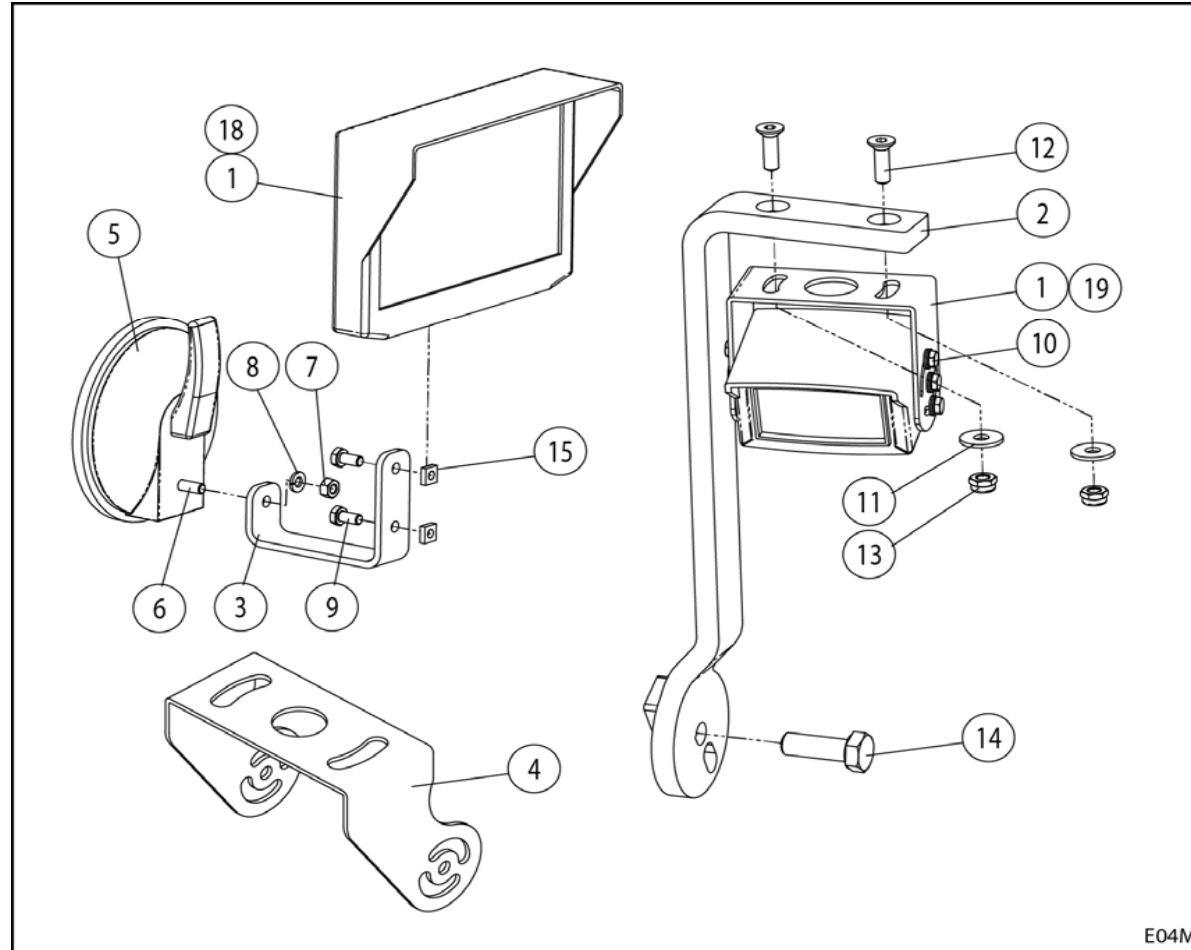
FR Projecteurs



E04L

| E04L | | Scheinwerfer | Headlights | Projecteurs | | | |
|------|-------------|---------------------------|-----------------------|---------------------------------|----------------------|----------------------|----|
| Pos. | Bestell-Nr. | Benennung | Description | Désignation | Zeichnungsnr. | SIZE/MASS | FZ |
| 1 | 3743640 | Scheinwerferschutz links | Left headlight guard | Protection du projecteur gauche | 58.924-80-15-01-00.1 | | 1 |
| 2 | 3743790 | Scheinwerferschutz rechts | Right headlight guard | Protection du projecteur droit | 58.924-80-15-01-00.2 | | 1 |
| 3 | 1442390 | LED-Scheinwerfer | LED headlight | Projecteurs à LED | 58.924-01-19-10-02 | | 2 |
| 4 | 0011180 | Sechskantschraube | Hexagonal screw | Vis six pans | | M12x30 8.8 | 2 |
| 5 | 0200610 | Sicherungsmutter | Locking nut | Écrou de sécurité | | NM12 8 | 2 |
| 6 | 1442470 | Rändelmutter | Knurled nut | Écrou moleté | | M6 | 2 |
| 7 | 3743540 | Kabel kpl. | Cable cpl. | Câble compl. | 58.924-80-15-01-01 | | 2 |
| 8 | 3743570 | Zuleitung | Feed line | Ligne d'alimentation | 58.924-80-15-01-02 | | 1 |
| 9 | 3456280 | Adapterkabel kpl. | Adapter cable cpl. | Câble adaptateur | 58.725-19-02-10 | | 1 |
| 10 | 1430080 | Rohrschelle | Pipe clamp | Collier de serrage | | 1.12/15 | 1 |
| 11 | 0206500 | Sechskantschraube | Hexagonal screw | Vis six pans | | M6x20 8.8 | 1 |
| 12 | 0025580 | Sechskantmutter | Hexagonal nut | Écrou six pans | | M6 8 | 1 |
| 13 | 0426680 | Scheibe | Washer | Rondelle | | A6,4 | 2 |
| 14 | 0416130 | Kabelbinder | Cable tie | Attache-câble | | 7,6x292 | 2 |
| 15 | 0434820 | Kabelbinder | Cable tie | Attache-câble | | 4,8x188 | 14 |
| 16 | 1442410 | Befestigungsbinder | Fixing strap | Attache de fixation | | | 2 |
| 17 | 3743560 | Steckdosenblech | Socket bracket | Support de prise | | 58.924-80-15-02-00.1 | 1 |
| 18 | 0446430 | Autosteckdose | Socket | Prise | | | 1 |
| 19 | 0456040 | Klappdeckel | Hinged lid | Couvercle rabattant | | | 1 |
| 20 | 1442400 | Wippenschalter | Rocker switch | Commutateur bistable | | | 1 |
| 21 | 1431110 | Einbaurahmen | Mounting frame | Cadre de montage | | | 1 |
| 22 | 1317950 | Kabel 1-adrig | 1-core cable | Câble 1 fil | | 58.35-01-05.1 | 2 |
| 23 | 3731900 | Massekabel | Ground cable | Câble de terre | | 58.725-25-10-01 | 1 |
| 24 | 0455700 | Steckhülse blau | Plug-in sleeve blue | Embout mâle bleu | | 1,5-2,5 | 4 |
| 25 | 0413710 | Steckverteiler blau | Plug distributor blue | Répartiteur bleu | | 6,3-2,5 | 1 |
| 26 | 1442070 | Fächerscheibe | Serrated washer | Rondelle éventail | | A5,3 | 1 |

DE Kamerasystem
EN Camera system
FR Système de caméra



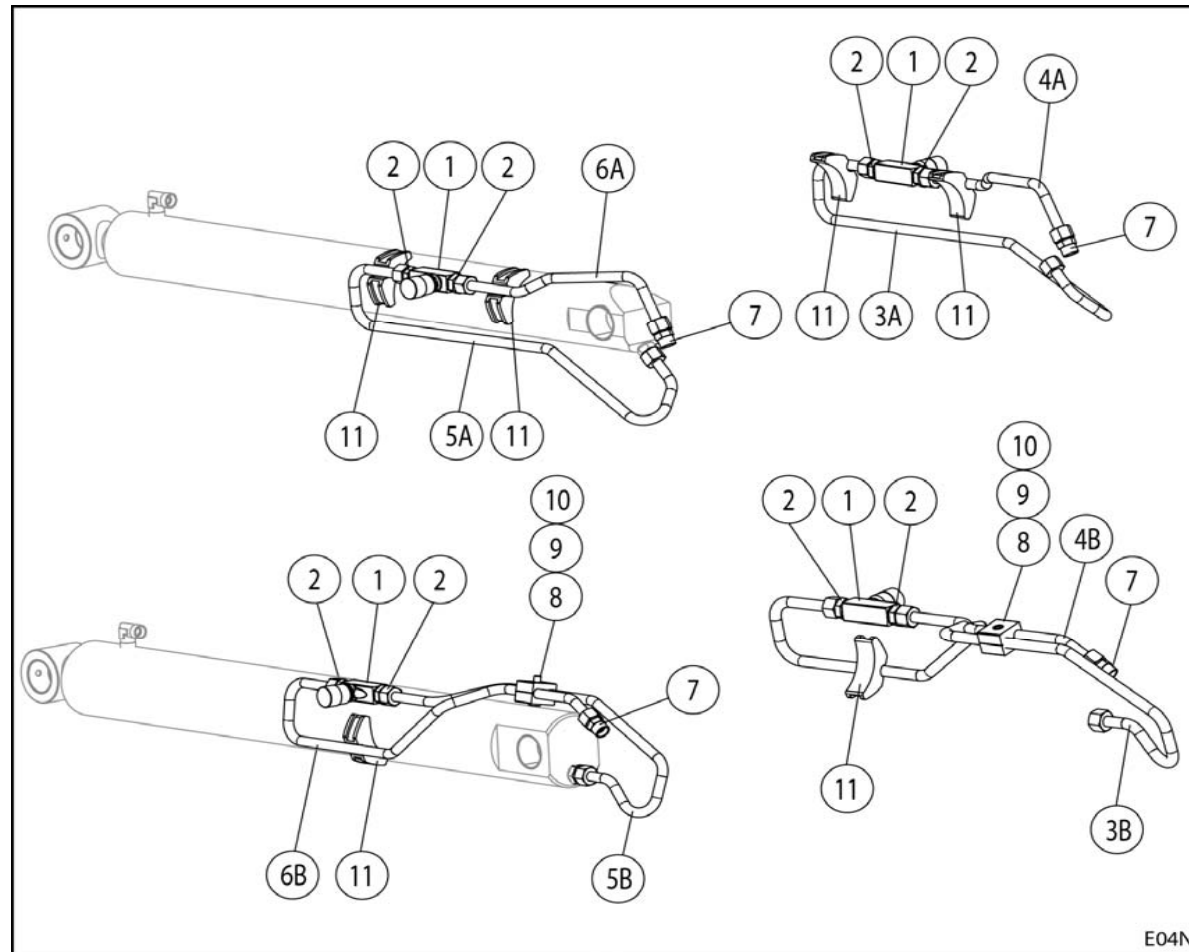
E04M

| E04M | | Kamerasystem | Camera system | Système de caméra | | | |
|------|-------------|-------------------------|---------------------------|---------------------------|---------------|--------------|----|
| Pos. | Bestell-Nr. | Benennung | Description | Désignation | Zeichnungsnr. | SIZE/MASS | FZ |
| 1 | 3703840 | Kamerasystem AGRACOM | Camera system AGRACOM | Système de caméra AGRACOM | 58.771-03 | | 1 |
| 2 | 3743460 | Kamerahalter | Camera holder | Support de caméra | 58.771-04 | | 1 |
| 3 | 3551370 | Halter | Bracket | Support | 58.771-00.3 | | 1 |
| 4 | 3703460 | Kamerabügel | Camera bracket | Étrier de la caméra | 58.771-00.4 | | 1 |
| 5 | 3433500 | Saughalter | Suction holder | Support à ventouse | | | 1 |
| 6 | 0206500 | Sechskantschraube | Hexagonal screw | Vis six pans | | M6x20 8.8 | 1 |
| 7 | 0025580 | Sechskantmutter | Hexagonal nut | Écrou six pans | | M6 8 | 1 |
| 8 | 0452130 | Sperrkantring | Detent edged ring | Anneau à bord d'arrêt | | VSK 6 | 1 |
| 9 | 0202160 | Sechskantschraube | Hexagonal screw | Vis six pans | | M6x8 8.8 | 2 |
| 10 | 1433790 | Sechskantschraube | Hexagonal screw | Vis six pans | | M4x8 8.8 | 6 |
| 11 | 0418390 | Scheibe | Washer | Rondelle | | A6,4 | 2 |
| 12 | 0424670 | Senkschraube | Countersunk screw | Vis à tête fraisée | | M6x22 8.8 | 2 |
| 13 | 0412570 | Sicherungsmutter | Locking nut | Écrou de sécurité | | NM6 8 | 2 |
| 14 | 1412570 | Sechskantschraube | Hexagonal screw | Vis six pans | | M10x30 8.8VP | 1 |
| 15 | 1433800 | Vierkantmutter | Square nut | Écrou carré | | M6 | 2 |
| 16 | 1401140 | Cordclips selbstklebend | Cord clips, self-adhesive | Clips autocollants | | | 4 |
| 17 | 0434820 | Kabelbinder | Cable tie | Attache-câble | | 4,8x188 | 10 |
| 18 | 3572250 | Monitor HOMAT kpl. | HOMAT monitor, complete | Moniteur HOMAT cpl. | 58.771-10-01 | | 1 |
| 19 | 3572270 | Kamera HOMAT kpl. | HOMAT camera, complete | Caméra HOMAT cpl. | 58.771-11-01 | | 1 |

DE Absenkdrössel

EN Lowering throttle

FR Clapet limiteur de descente



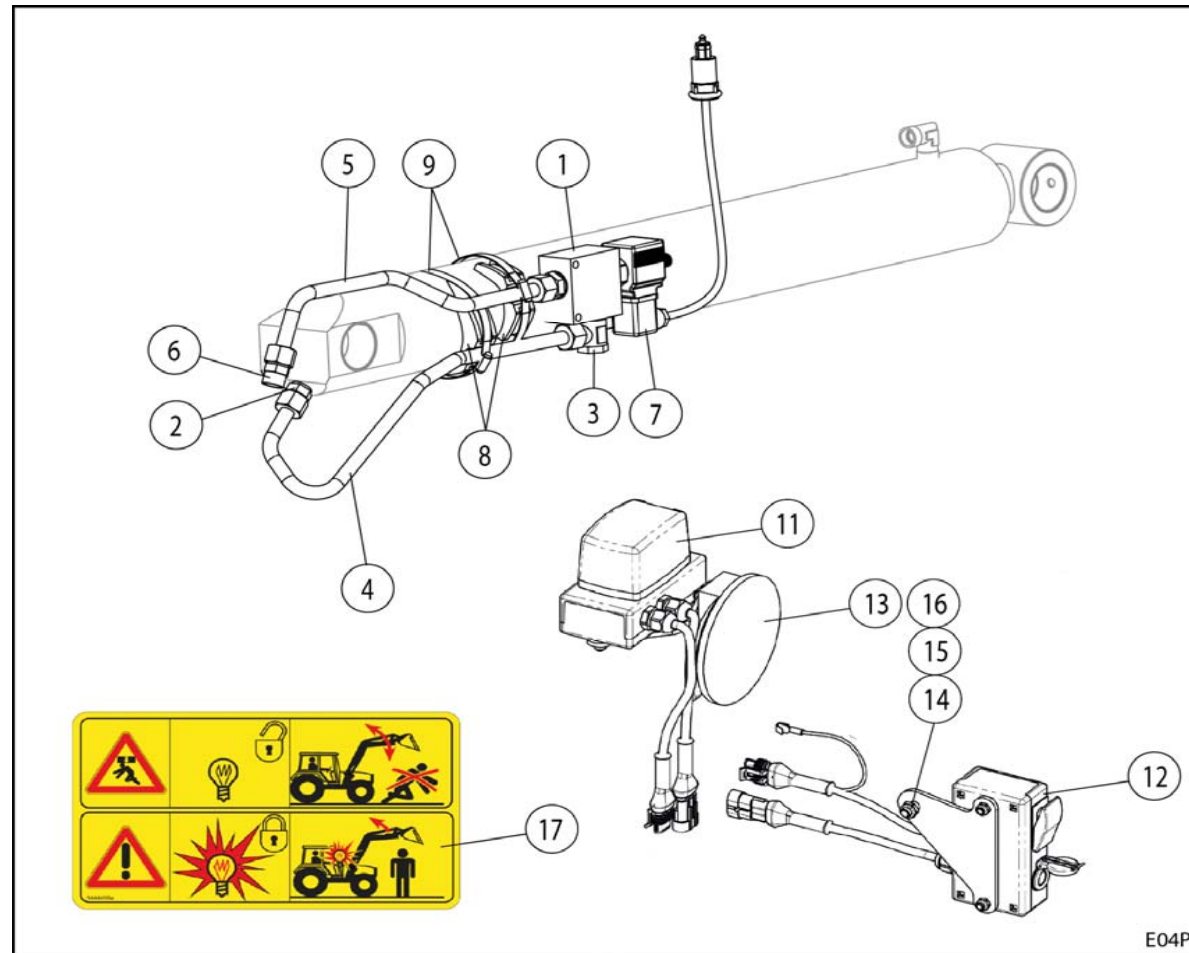
E04N

| E04N | | Absenkdrössel | Lowering throttle | Clapet limiteur de descente | | | | |
|------|-------------|-----------------------------|-----------------------------|------------------------------------|--------------------|---------------|--------------------------|------------------------------|
| Pos. | Bestell-Nr. | Benennung | Description | Désignation | Zeichnungsnr. | SIZE/MASS | FS/FZ 36-20 bis 43-34 | FS/FZ 36-20.1 bis 48-42.1 |
| 1 | 0448330 | Einstellbares Drosselventil | Adjustable throttle valve | Papillon ajustable | TILL FV 100 | | 2 | 2 |
| 2 | 1428930 | Gerader Einschraubstutzen | Straight screw-in connector | Manchon vissé droit | WA GES 12LR-WD | | 4 | 4 |
| 3A | 3743130 | Hydraulikrohr unten links | Lower hydraulic pipe left | Tuyau hydraulique inférieur gauche | 58.924-80-04-01-01 | | 1 | - |
| 3B | 3743210 | Hydraulikrohr unten links | Lower hydraulic pipe left | Tuyau hydraulique inférieur gauche | 58.932-80-04-01-01 | | - | 1 |
| 3.1 | 0016850 | Überwurfmutter | Union nut | Écrou-raccord | | M12L | 2 | 2 |
| 3.2 | 1429340 | Walform-Dichtung | Seal ring | Bague d'étanchéité | | WAL610874-12L | 2 | 2 |
| 4A | 3743140 | Hydraulikrohr oben links | Upper hydraulic pipe left | Tuyau hydraulique supérieur gauche | 58.924-80-04-01-02 | | 1 | - |
| 4B | 3743220 | Hydraulikrohr oben links | Upper hydraulic pipe left | Tuyau hydraulique supérieur gauche | 58.932-80-04-01-02 | | - | 1 |
| 4.1 | 0016850 | Überwurfmutter | Union nut | Écrou-raccord | | M12L | 2 | 2 |
| 4.2 | 1429340 | Walform-Dichtung | Seal ring | Bague d'étanchéité | | WAL610874-12L | 2 | 2 |
| 5A | 3743150 | Hydraulikrohr unten rechts | Lower hydraulic pipe right | Tuyau hydraulique inférieur droite | 58.924-80-04-02-01 | | 1 | - |
| 5B | 3743230 | Hydraulikrohr unten rechts | Lower hydraulic pipe right | Tuyau hydraulique inférieur droite | 58.932-80-04-02-01 | | - | 1 |
| 5.1 | 0016850 | Überwurfmutter | Union nut | Écrou-raccord | | M12L | 2 | 2 |
| 5.2 | 1429340 | Walform-Dichtung | Seal ring | Bague d'étanchéité | | WAL610874-12L | 2 | 2 |
| 6A | 3743160 | Hydraulikrohr oben rechts | Upper hydraulic pipe right | Tuyau hydraulique supérieur droite | 58.924-80-04-02-02 | | 1 | - |
| 6B | 3743240 | Hydraulikrohr oben rechts | Upper hydraulic pipe right | Tuyau hydraulique supérieur droite | 58.932-80-04-02-02 | | - | 1 |
| 6.1 | 0016850 | Überwurfmutter | Union nut | Écrou-raccord | | M12L | 2 | 2 |
| 6.2 | 1429340 | Walform-Dichtung | Seal ring | Bague d'étanchéité | | WAL610874-12L | 2 | 2 |
| 7 | 0016511 | Gerader Stutzen | Straight connector | Manchon vissé droit | | WA GS 12L | 2 | 2 |
| 8 | 1428620 | Rohrschellenhälfte | Pipe clamp | Collier de serrage | | | - | 4 |
| 9 | 1406020 | Zylinderschraube | Cylinder screw | Vis à tête cylindrique | | M6x20 8.8 | - | 2 |
| 10 | 0025580 | Sechskantmutter | Hexagonal screw | Vis six pans | | M6 8 | - | 2 |
| 11 | 0439660 | Auflage | Support | Appui | | ZR 518 | 4 | 2 |
| 12 | 0411160 | Kabelbinder | Cable tie | Attache-câble | | 9,0x433 | 4 | 2 |

DE Absenksicherung

EN Anti-lowering guard

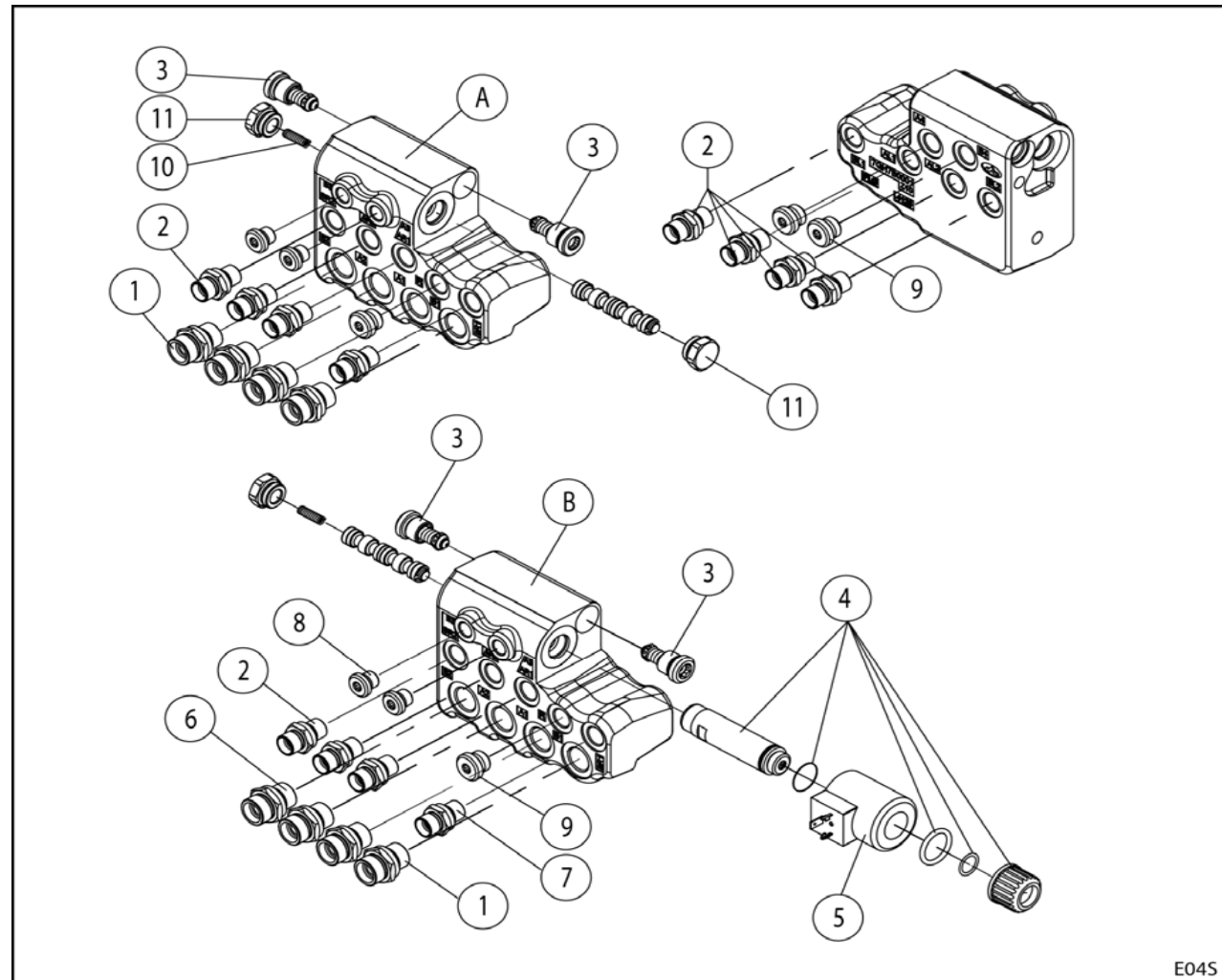
FR Dispositif de sécurité anti-abaissement



E04P

| E04P | | Absenksicherung | Anti-lowering guard | Dispositif de sécurité anti-abaissement | | | | |
|------|-------------|---------------------------------|-----------------------------|---|----------------|--------------------|-----------------------|---------------------------|
| Pos. | Bestell-Nr. | Benennung | Description | Désignation | Zeichnungsnr. | SIZE/MASS | FS/FZ 36-20 bis 43-34 | FS/FZ 36-20.1 bis 48-42.1 |
| 1 | 1433470 | Ventilblock | Valve block | Bloc hydraulique | | | 1 | 1 |
| 2 | 1428930 | Gerader Einschraubstutzen | Straight screw-in connector | Manchon vissé droit | WA GES 12LR-WD | | 1 | 1 |
| 3 | 0480180 | Drosselfr. Winkelschwenkstutzen | Elbow connection | Raccord coudé | | WA RSWS 12LR | 1 | 1 |
| 4 | 3743470 | Hydraulikrohr unten rechts | Lower hydraulic pipe right | Tuyau hydraulique inférieur droite | | 58.924-80-03-04-01 | 1 | - |
| 4 | 3743520 | Hydraulikrohr unten rechts | Lower hydraulic pipe right | Tuyau hydraulique inférieur droite | | 58.932-80-03-04-01 | - | 1 |
| 4.1 | 0016850 | Überwurfmutter | Union nut | Écrou-raccord | | M12L | 2 | 2 |
| 4.2 | 1429340 | Walform-Dichtung | Seal ring | Bague d'étanchéité | | WAL610874-12L | 2 | 2 |
| 5 | 3743490 | Hydraulikrohr oben rechts | Upper hydraulic pipe right | Tuyau hydraulique supérieur droite | | 58.924-80-03-04-02 | 1 | - |
| 5 | 3743530 | Hydraulikrohr oben rechts | Upper hydraulic pipe right | Tuyau hydraulique supérieur droite | | 58.932-80-03-04-02 | - | 1 |
| 5.1 | 0016850 | Überwurfmutter | Union nut | Écrou-raccord | | M12L | 2 | 2 |
| 5.2 | 1429340 | Walform-Dichtung | Seal ring | Bague d'étanchéité | | WAL610874-12L | 2 | 2 |
| 6 | 0016511 | Gerader Stutzen | Straight connector | Manchon vissé droit | | WA GS 12L | 1 | 1 |
| 7 | 3758450 | Ventil-Anschlusskabel | Connection cable valve | Câble de raccordement valve | | 58.924-80-03-12-03 | 1 | 1 |
| 8 | 0439660 | Auflage | Support | Appui | | ZR 518 | 2 | 2 |
| 9 | 0439650 | Schlauchschelle | Hose clamp | Collier de serrage | | | 2 | - |
| 9 | 0415820 | Schlauchschelle | Hose clamp | Collier de serrage | | | - | 2 |
| 10 | 0464750 | Kabelbinder | Cable tie | Attache-câble | | 4,8x120 | 10 | 10 |
| 11 | 3559320 | Schaltkasten Fahrer | Driver switch box | Coffret de commande conducteur | | 58.831-80-03-01-01 | 1 | 1 |
| 12 | 3559330 | Schaltkasten Anbauteil | Mounting part switch box | Coffret de commande élément de montage | | 58.831-80-03-01-02 | 1 | 1 |
| 13 | 3433500 | Saughalter | Suction holder | Support à ventouse | | | 1 | 1 |
| 14 | 0206500 | Sechskantschraube | Hexagonal screw | Vis six pans | | M6x20 8.8 | 1 | 1 |
| 15 | 0426680 | Scheibe | Washer | Rondelle | | A6,4 | 1 | 1 |
| 16 | 0412570 | Sicherungsmutter | Self locking nut | Ecrou autofreiné | | NM6 8 | 1 | 1 |
| 17 | 3444400 | Aufkleber | Decal | Autocollant | | | 1 | 1 |

DE Ventilblock FS/FZ
EN Valve block FS/FZ
FR Bloc de commande FS/FZ



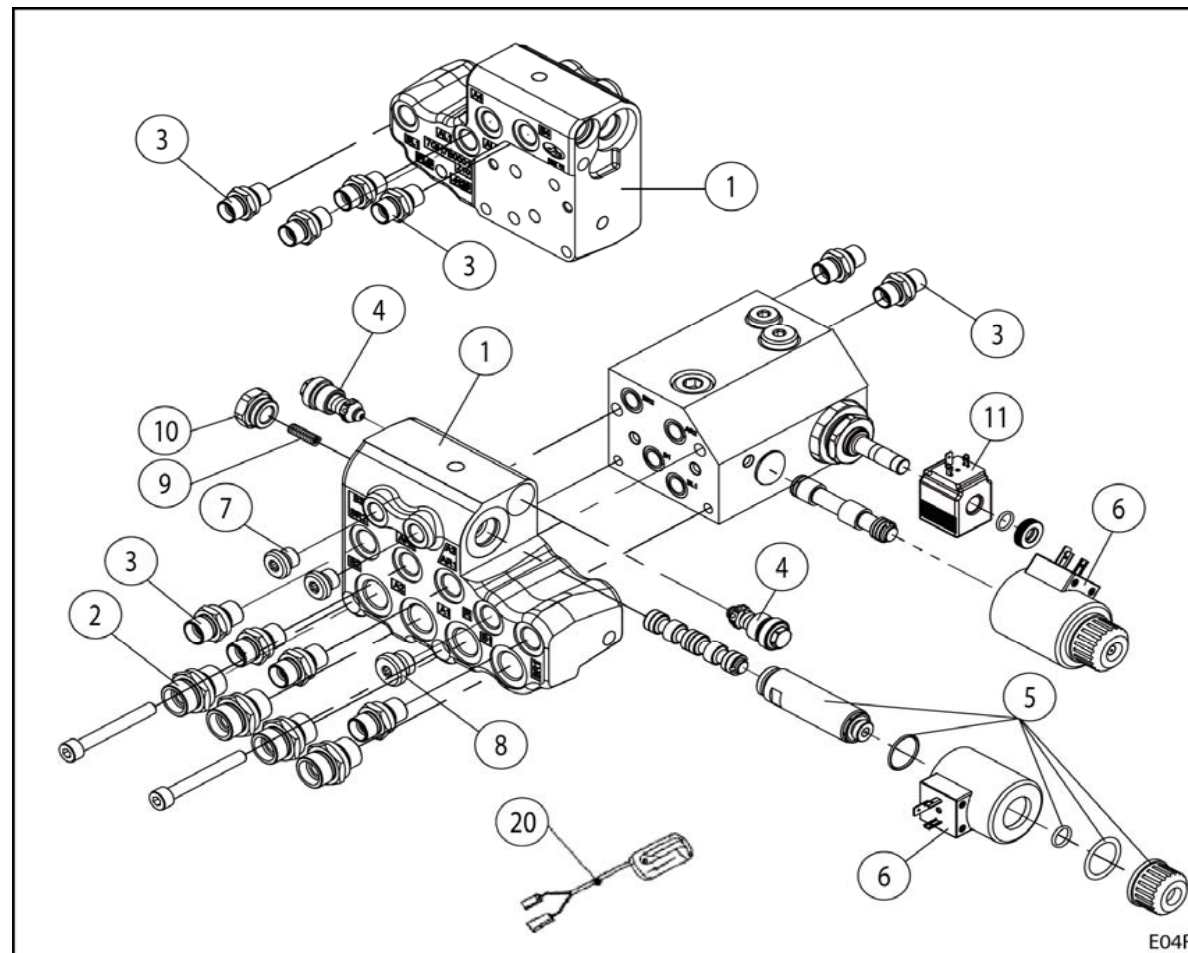
E04S

| E04S | | Ventilblock FS/FZ | Valve block FS/FZ | Bloc de commande FS/FZ | | | | |
|------|-------------|---------------------------------|-------------------------------|---------------------------------------|-----------------|-------------------|-------|--------------------|
| Pos. | Bestell-Nr. | Benennung | Description | Désignation | Zeichnungsnr. | SIZE/MASS | Basis | mit 3. Steuerkreis |
| A | 1441280 | Ventilblock FS / FZ | Valve block FS / FZ | Bloc hydraulique FS / FZ | 58.921-19-02-01 | | 1 | - |
| B | 1441290 | Ventilblock FS / FZ | Valve block FS / FZ | Bloc hydraulique FS / FZ | 58.921-19-02-02 | | - | 1 |
| | | <i>3. Steuerkreis</i> | <i>3rd control circuit</i> | <i>3e circuit de commande</i> | | | | |
| 1 | 1428940 | Gerader Einschraubstutzen | Screwed connection | Raccord droit | | WA GES 15LR-WD | 4 | 4 |
| 2 | 1428930 | Gerader Einschraubstutzen | Screwed connection | Raccord droit | | GES 12 LR-WD | 8 | 10 |
| 3 | 1441810 | Druckbegrenzungsventil | Pressure limiting valve | Limiteur de pression | | 230 bar | 2 | 2 |
| 4 | 1430140 | Ventileinsatz | Magnet base | Tiroir | | | - | 1 |
| 5 | 1430150 | Magnetspule | Magnet coil | Bobine | | 12 VDC 38 W | - | 1 |
| 6 | 1429350 | Dichtung | Sealing | Joint | | 15L | 8 | 8 |
| 7 | 1429340 | Dichtung | Sealing | Joint | | 12L | 4 | 8 |
| 8 | 0436330 | Verschlusschraube | Screw plug | Fermeture | | WA VS-R 1/4 WD | 2 | 2 |
| 9 | 1437560 | Verschlusschraube | Screw plug | Fermeture | | WA VS-R 3/8 WD | 3 | 1 |
| 10 | 1437030 | Schieberückstellfeder | Spring | Ressort | | WALV 3MOL107210 | 1 | 1 |
| 11 | 1435430 | Verschlussstopfen | Plug | Bouchon | | WALV XTAP 324150 | 2 | 2 |
| 12 | 1435440 | Dichtsatz extern 3. Steuerkreis | Seal kit, 3rd control circuit | Jeu de joints, 3e circuit de commande | | WALV 5GSTOL 00001 | - | 1 |

DE Ventilblock FZ-L

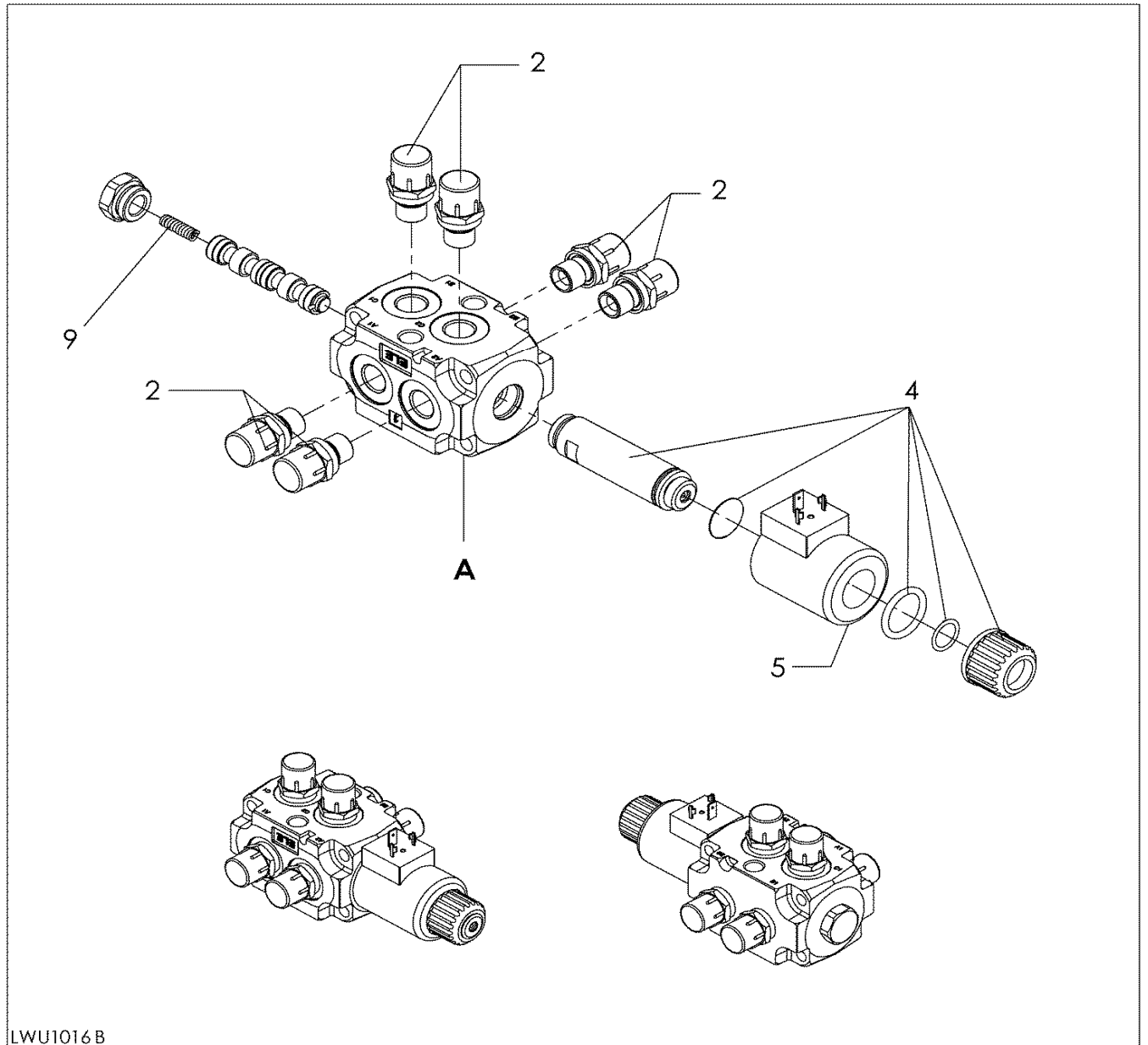
EN Valve block FZ-L

FR Bloc de commande FZ-L



| E04R | | Ventilblock FZ-L | Valve block FZ-L | Bloc de commande FZ-L | | | |
|------|-------------|-----------------------------|-----------------------------|----------------------------------|-----------------|------------------|------|
| Pos. | Bestell-Nr. | Benennung | Description | Désignation | Zeichnungsnr. | SIZE/MASS | FZ-L |
| 1 | 1441300 | Ventilblock Return-To-Level | Valve block Return-To-Level | Bloc hydraulique Return-To-Level | 58.921-19-02-03 | | 1 |
| | | <i>3. Steuerkreis</i> | <i>3rd control circuit</i> | <i>3e circuit de commande</i> | | | |
| 2 | 1428940 | Gerader Einschraubstutzen | Screwed connection | Raccord droit | | WA GES 15LR-WD | 4 |
| 3 | 1428930 | Gerader Einschraubstutzen | Screwed connection | Raccord droit | | GES 12 LR-WD | 10 |
| 4 | 1441810 | Druckbegrenzungsventil | Pressure limiting valve | Limiteur de pression | | 230 bar | 2 |
| 5 | 1430140 | Ventileinsatz | Magnet base | Tiroir | | | 1 |
| 6 | 1430150 | Magnetspule | Magnet coil | Bobine | | 12 VDC 38 W | 1 |
| 7 | 0436330 | Verschlusschraube | Screw plug | Fermeture | | WA VS-R 1/4 WD | 2 |
| 8 | 1437560 | Verschlusschraube | Screw plug | Fermeture | | WA VS-R 3/8 WD | 1 |
| 9 | 1437030 | Schieberückstellfeder | Spring | Ressort | | WALV 3MOL107210 | 1 |
| 10 | 1435430 | Verschlusstopfen | Plug | Bouchon | | WALV XTAP 324150 | 1 |
| 11 | 1432520 | Gleichstrommagnet | Direct-current magnet | Aimant à courant continu | | 12VDC-19W | 1 |
| 20 | 1432030 | Sensor | Sensor | Détecteur | | 2210014770 | 1 |
| 20.1 | 1434640 | Gewindestift | Threaded pin | Goupille fileté | D914 | M5x8 | 3 |

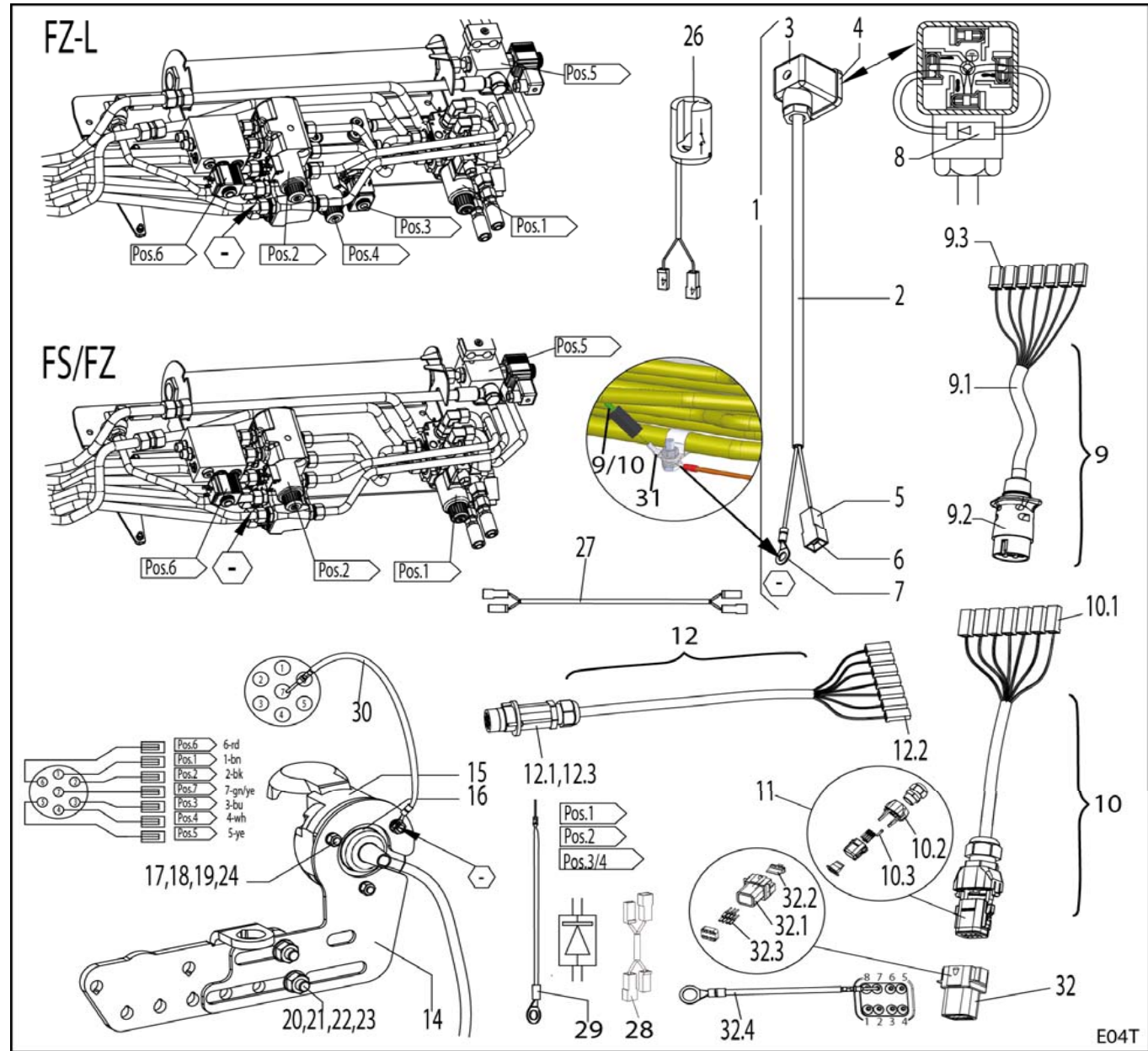
DE Ventil 4. Steuerkreis
EN Valve 4th control circuit
FR Bloc 4e circuit de commande




LWU1016 B

| LWU1016 | | Ventil 4. Steuerkreis | Valve 4th control circuit | Bloc 4e circuit de commande | | | |
|-------------|--------------------|------------------------------|----------------------------------|------------------------------------|----------------------|------------------|--------------|
| Pos. | Bestell-Nr. | Benennung | Description | Désignation | Zeichnungsnr. | SIZE/MASS | FS/FZ |
| A | 1429100 | Ventilblock 4. Steuerkreis | Valve 4th control circuit | Bloc 4e circuit de commande | 58.725-19-04-01 | | 1 |
| 2 | 1428930 | Gerader Einschraubstutzen | Screwed connection | Raccord droit | | GES 12 LR-WD | 6 |
| 4 | 1430140 | Ventileinsatz | Magnet base | Tiroir | | | 1 |
| 5 | 1430150 | Magnetspule | Magnet | Bobine | | 12 VDC 38 W | 1 |
| 9 | 1437030 | Schieberückstellfeder | Spring | Ressort | | WALV 3MOL107210 | 1 |

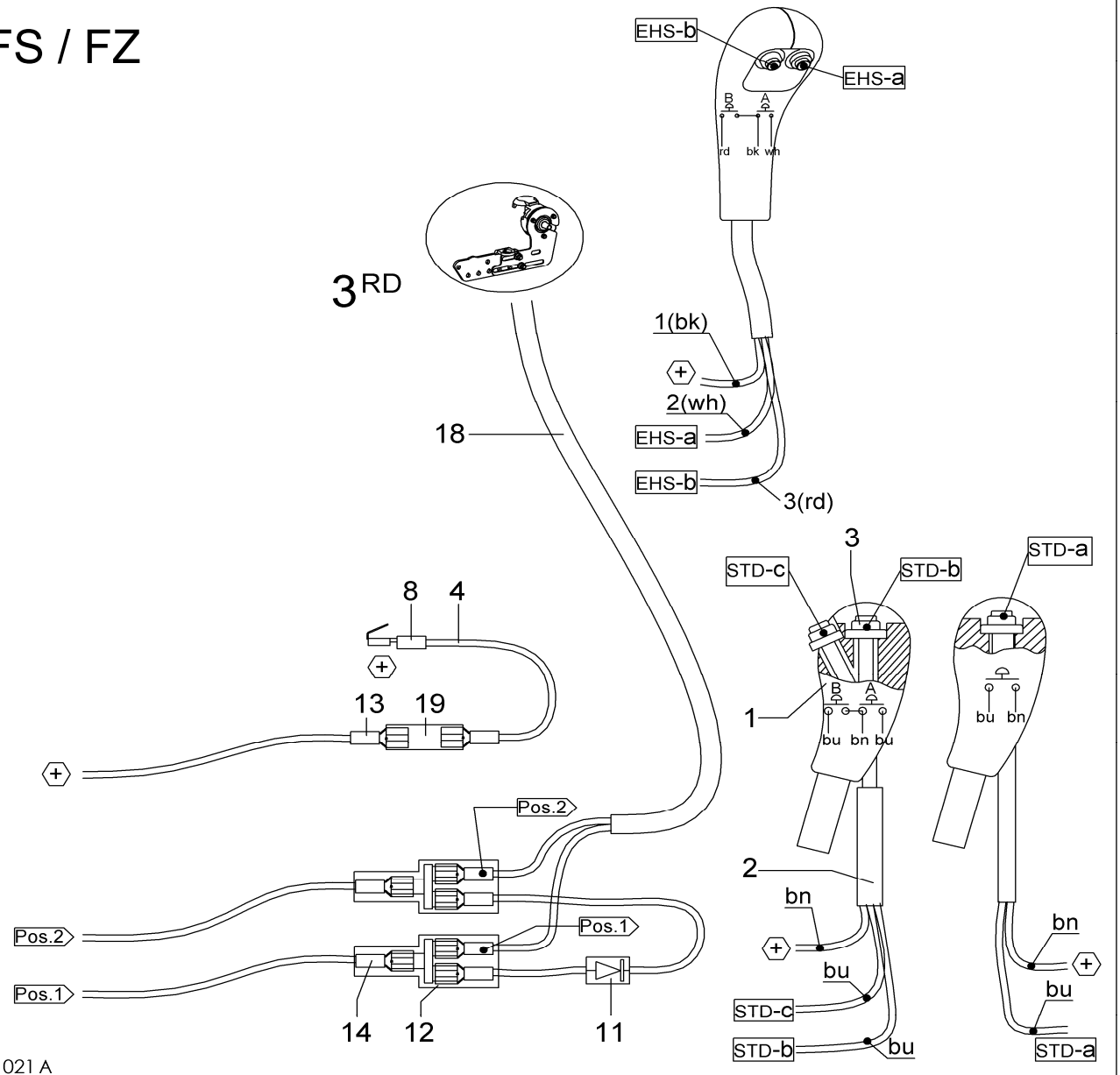
DE Elektroausrüstung Basis
 EN Electrical equipment basis
 FR Equipement électrique base



| E04T | | Elektroausrüstung Basis | Electrical equipment basis | Équipement électrique base | | | FS/FZ 36-20 bis 46-33.1 | FZ 48-33.1, 48-42.1 |
|------|---|--|---|---|---------------------|---------------|----------------------------|------------------------|
| Pos. | Bestell-Nr. | Benennung | Description | Désignation | Zeichnungsnr. | SIZE/MASS | | |
| 1 | 3466790 | Anschlusskabel Ventil kpl | Connection cable calve cpl. | Câble de raccordement valve cpl. | 58.725-19-03-11 | 400 mm | 1 | 1 |
| 1 | 3466810 | Anschlusskabel Ventil kpl | Connection cable calve cpl. | Câble de raccordement valve cpl. | 58.725-19-03-12 | 700 mm | 1 | 1 |
| 2 | 3466800 | Kabel | Cable | Câble | 58.725-19-03-11.1 | 931965-100 | 1 | 1 |
| 2 | 3466820 | Kabel | Cable | Câble | 58.725-19-03-12.1 | | 1 | 1 |
| 3 | 0450540 | Gerätesteckdose | Socket | Prise de courant | | 731531-0023 | 1 | 1 |
| 4 | 0450550 | Dichtung | Sealing | Joint | | 180916 | 1 | 1 |
| 5 | 0406450 | Flachsteckergehäuse | Flat connection housing | Capuchon de connexion | | AMP 180916 | 1 | 1 |
| 6 | 0406440 | Flachstecker | Flat connection | Connexion plate | | AMP 4798 | 1 | 1 |
| 7 | 0453680 | Kabelschuh | Eyelet | Cosse de câble | | 8 - 1,0 | 1 | 1 |
| 8 | 3409640 | Diode/ Fast Rectifier | Diode/ Fast rectifier | Diode | | Diode 1N 4937 | 1 | 1 |
| 9 | 3736070 | Frontladerkabel kpl. | Front loader cable cpl. | Câble cpl. chargeur frontal | 58.921-25-01-01 | 4400 mm | 1 | 1 |
| 9.1 | 3654860 | Kabel | Cable | Câble | 58.827-25-15-01.1 | 4400 mm | 1 | 1 |
| 9.2 | 0407220 | Stecker 7-polig | 7-pin plug | Fiche 7 broches | | 8JA001 | 1 | 1 |
| 9.3 | 0478910 | Steckhülse | Push-on contact | Connexion mâle | | A 6,3 - 1,0 | 6 | 6 |
| 9.3 | 0491500 | Steckhülse | Push-on contact | Connexion mâle | | A 6,3 - 2,5 | 1 | 1 |
| 10 | 3736090 | Frontladerkabel lang kpl. (für Hydro-Fix) | Front loader cable long cpl. (for Hydro-Fix) | Câble long cpl. chargeur frontal (pour Hydro-Fix) | 58.921-25-02-01 | 4400 mm | 1 | 1 |
| 10.1 | 0478910 | Steckhülse | Push-on contact | Connexion mâle | | A 6,3 - 1,0 | 6 | 6 |
| 10.1 | 0491500 | Steckhülse | Push-on contact | Connexion mâle | | A 6,3 - 2,5 | 1 | 1 |
| 10.2 | 1436820 | Clip - Zugentlastung | Clip | Agrafe | FASTER | | 1 | 1 |
| 10.3 | 1437120 | Blindstopfen | Blind plug | Bouchon aveugle | | DT 114017 | 1 | 1 |
| 11 | 1438210 | Elektrokit Nachrüstung | Electric kit retrofitting | Kit électrique équipement ultérieur | 58.861-11-06-01 | | X | X |
| 12 | 3736210 | Frontladerkabel lang kpl. (für Fendt-Multikuppler) | Front loader cable long cpl. (for Fendt multicoupler) | Câble long cpl. chargeur frontal (pour multicoupleur Fendt) | 58.921-25-03-01 | 4800 mm | 1 | 1 |
| 12.1 | 3406630 | 7 Kontakt-Pins | 7 contact pins | 7 contacts à broche | | | 1 | 1 |
| 12.2 | 0478910 | Steckhülse | Push-on contact | Connexion mâle | | A 6,3 - 1,0 | 7 | 7 |
| 12.3 | 1428270 | Stecker 7-polig | 7-pin plug | Fiche 7 broches | | | 1 | 1 |
| 14 | 3408960 | Steckdosenblech | Support for socket | Support pour prise de courant | 58.636-01-00.1 | | 1 | 1 |
| 15 | 0445630 | Steckdose 7-polig | 7-pin socket | Prise de courant 7 broches | 58.636-01-00.1 | 8JB001 | 1 | 1 |
| 16 | 1429520 | Dichtung für Steckdose 7-polig | Sealing for socket | Joint pour prise de courant 7 broches | | 9GD735 | 1 | 1 |
| 17 | 0445640 | Kabelbinder | Cable tie | Attache-câble | | 4,8x188 | 3 | 3 |
| 18 | 0407390 | Sechskantmutter | Nut | Ecrou | | M5 | 3 | 3 |
| 19 | 1442070 | Scheibe | Washer | Rondelle | | A5,3 | 3 | 3 |
| 20 | 0011110 | Sechskantschraube 8x25 | Screw | Vis | | M8x25 8.8 | 2 | 2 |
| 21 | 0011630 | Sechskantmutter | Nut | Ecrou | | M8 | 2 | 2 |
| 22 | 0407070 | Scheibe | Washer | Rondelle | | 9 | 2 | 2 |
| 23 | 0452140 | Sicherheitsring | Safety ring | Bague de sécurité | | 8 | 2 | 2 |
| 24 | 0453490 | Zylinderschraube | Screw | Vis | | M5x40 5.8 | 3 | 3 |
| 25 | 3456280 | Adapterkabel Eilgang kpl. | Adapter cable rapid emptying | Câble d'adaptateur bennage rapide | 58.725-19-02-10 | | 1 | 1 |
| 26 | 1432030 | Sensor | Sensor | Détecteur | | | 1 | 1 |
| 27 | 3758390 | Verlängerungskabel | Extension cable | Rallonge | 58.934-02-419-03-01 | 500 mm | - | 1 |
| 28 | 3653060 | Kabelbaum Widerstand RTL | Harness resistance RTL | Harnais résistance RTL | 58.753-01-12-01 | | 1 | 1 |
| |  | Nur für Pro Control | For Pro Control only | Seulement pour Pro Control | | | | |
| 29 | 3537160 | Freilaufdiode | Recovery diode | Diode de roue libre | 58.827-25-51-01 | | X | X |
| 30 | 3731900 | Massekabel | Ground cable | Câble de terre | 58.725-25-10-01 | | 1 | 1 |
| 31 | 1439670 | Flachstecker | Flat plug | Languette | | 6,3x0,8 45° | 1 | 1 |
| 32 | 3598550 | Elektrokit (für Hydro-Fix) | Electric kit (for Hydro-Fix) | Kit électrique (pour Hydro-Fix) | 58.827-25-57 | | 1 | 1 |
| 32.1 | 1437070 | Stiftgehäuse | Pin housing | Carapace | 58.827-25-57-00.1 | | 1 | 1 |
| 32.2 | 1437090 | Sicherungskeil | Securing wedge | Sécurisation de coin | | | 1 | 1 |
| 32.3 | 1435940 | Kontakt-Pin | Contact pin | Contact à broche | | | 7 | 7 |
| 32.4 | 3731920 | Massekabel | Ground cable | Câble de terre | 58.827-25-57-01 | | 1 | 1 |

FS / FZ

DE Elektroausrüstung FS/FZ
 EN Electrical equipment FS/FZ
 FR Equipement électrique FS/FZ

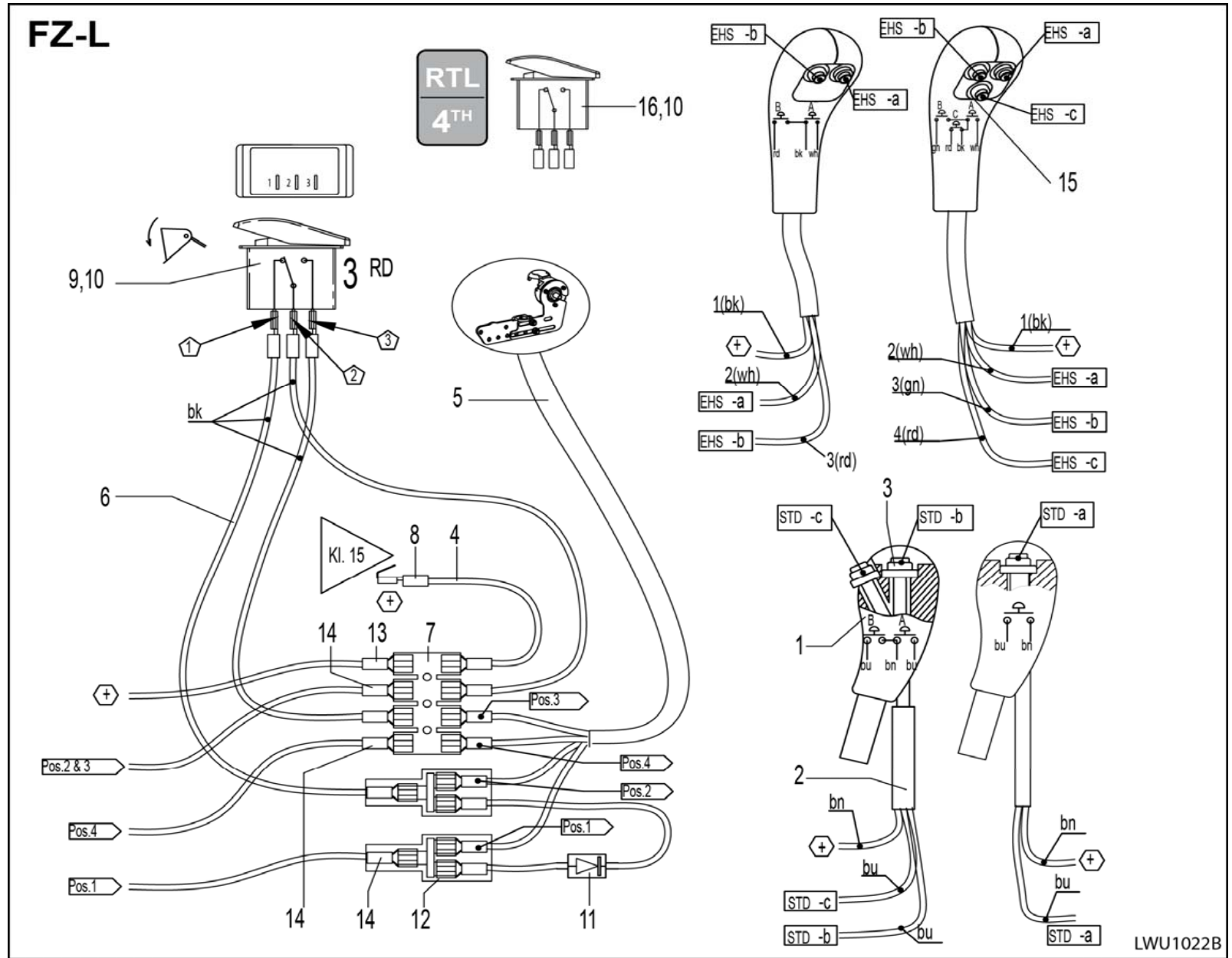


LWU1021 A

| LWU1021 | | Elektroausrüstung FS/FZ | Electrical equipment FS/FZ | Equipement électrique FS/FZ | | | |
|---------|-------------|---|---|---|-----------------|--------------|-------|
| Pos. | Bestell-Nr. | Benennung | Description | Désignation | Zeichnungsnr. | SIZE/MASS | FS/FZ |
| 1 | 1386230 | Steuerhebel | Joystick | Monolevier | 58.75-01-00.1 | | 1 |
| | | Die Anbringung des Schalters an dem Steuergerätehebel ist bei allen Schlepperfabrikaten unterschiedlich und muss individuell gelöst werden. | Attachment of switches at the control unit levers differs for the different models of tractors. Individual solutions must be found. | La fixation du bouton varie d'un tracteur à l'autre et doit être résolu de manière appropriée aux conditions constructives. | | | |
| 2 | 1386240 | Isolierschlauch | Isolating pipe | Gaine isolante | 58.75-01-00.2 | | 1 |
| 3 | 1386250 | Drucktaster kpl. | Push-button switch cpl. | Interrupteur complet | 58.75-01-01 | | 2 |
| 4 | 1317940 | Kabel kpl. | Cable cpl. | Câble cpl. | 58.35-01-05 | | 1 |
| 8 | 0413710 | Steckverteiler blau | Push-on junction blue | Connexion bleue | | DRUS 01118 | 1 |
| 11 | 3462870 | Diode kpl. | Diode cpl. | Diode cpl. | 58.725-25-33-01 | | 1 |
| 12 | 0207920 | Leitungsverteiler | Power divider | Répartiteur de puissance | 20835003 | PVC Weco | 2 |
| 13 | 0401920 | Steckhülsen blau | Push-on contact blue | Connexion bleue | | 6,3 - 2,5 | 1 |
| 14 | 0207690 | Steckhülsen rot | Push-on contact red | Connexion rouge | | 6,3 - 1,0 | 1 |
| 18 | 3409290 | Kabel Kpl | Cable cpl. | Câble cpl. | 58.636-09-01-01 | | 1 |
| 19 | 0446450 | Flachsteckkupplung | Flat plug coupling | Coupleur de fiche mâle | | 6,3x0,8x28 | 1 |
| | 3492780 | Elektrokitt 53 FS+3FZ+3FZL3 | Electric kit 53 FS+3FZ+3FZL3 | Kit électrique 53 FS+3FZ+3FZL3 | 58.827-25-53 | 58.827-25-53 | 1 |

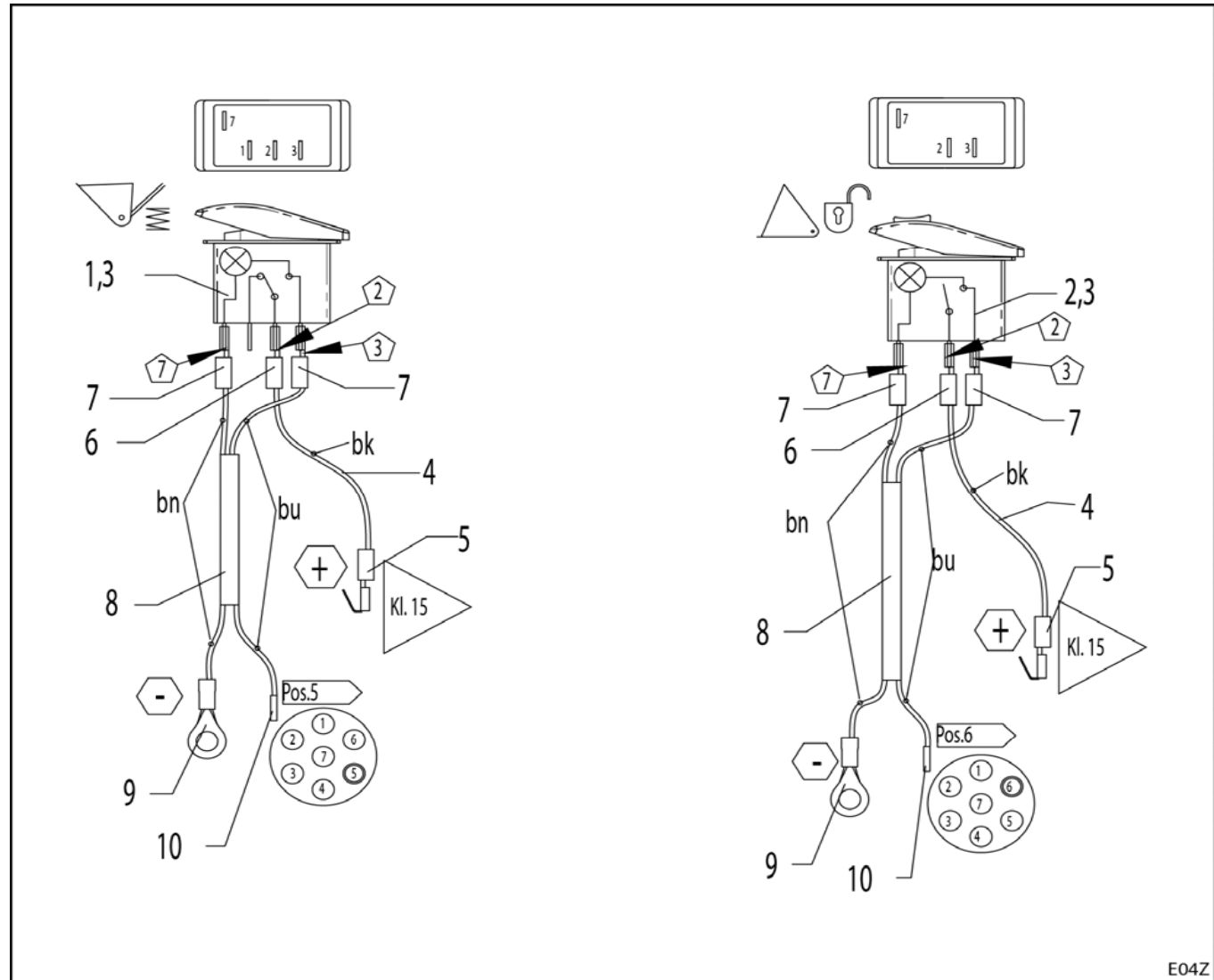
FZ-L

DE Elektroausrüstung FZ-L
 EN Electrical equipment FZ-L
 FR Equipement électrique FZ-L




| LWU1022 | | Elektroausrüstung FZ-L | Electrical equipment FZ-L | Equipement électrique FZ-L | | | |
|-------------|--------------------|---|---|---|----------------------|------------------|-------------|
| Pos. | Bestell-Nr. | Benennung | Description | Désignation | Zeichnungsnr. | SIZE/MASS | FZ-L |
| 1 | 1386230 | Steuerhebel | Joystick | Monolevier | 58.75-01-00.1 | | 1 |
| | | Die Anbringung des Schalters an dem Steuergerätehebel ist bei allen Schlepperfabrikaten unterschiedlich und muss individuell gelöst werden. | Attachment of switches at the control unit levers differs for the different models of tractors. Individual solutions must be found. | La fixation du bouton varie d'un tracteur à l'autre et doit être résolu de manière appropriée aux conditions constructives. | | | |
| 2 | 1386240 | Isolierschlauch | Isolating pipe | Gaine isolante | 58.75-01-00.1 | | 1 |
| 3 | 1386250 | Drucktaster kpl. | Push-button switch cpl. | Interrupteur complet | 58.75-01-01 | | 1 |
| 4 | 1317940 | Kabel kpl | Cable cpl. | Câble cpl. | 58.35-01-05 | | 1 |
| 5 | 3456490 | Kabel kpl | Cable cpl. | Câble cpl. | 58.726-25-38-01 | | 1 |
| 6 | 3456510 | Kabel kpl | Cable cpl. | Câble cpl. | 58.725-25-32-01 | | 6 |
| 7 | 0453790 | Flachsteckkupplung | Flat plug coupling | Coupleur de fiche mâle | | DRUS 03755 | 1 |
| 8 | 0413710 | Steckverteiler | Push-on Junction | Connexion | | DRUS 01118 | 1 |
| 9 | 1429690 | Wippenschalter 3. Steuerkreis | Toggle switch for 3rd control circuit | Interrupteur pour 3e circuit de commande | | | 1 |
| 10 | 1431110 | Einbaurahmen | Mounting frame | Cadre de montage | | | 1 |
| 11 | 3462870 | Diode kpl | Diode cpl. | Diode cpl. | 58.725-25-33-01 | | 1 |
| 12 | 0207920 | Leitungsverteiler | Power divider | Répartiteur de puissance | | PVC Weco | 2 |
| 13 | 0401920 | Steckhülse blau | Push-on contact blue | Connexion bleu | | 6,3 - 2,5 | 1 |
| 14 | 0207690 | Steckhülse rot | Push-on contact red | Connexion rouge | | 6,3 - 1,0 | 3 |
| 15 | 3462920 | Tasterplatte 3 Taster | Plate 3 push-buttons | Plaque 3 interrupteurs | | Nimco 12025-4S | 1 |
| 16 | 1438180 | Wippenschalter 4. Steuerkreis | Toggle switch for 4th control circuit | Interrupteur pour 4e circuit de commande | | | 1 |

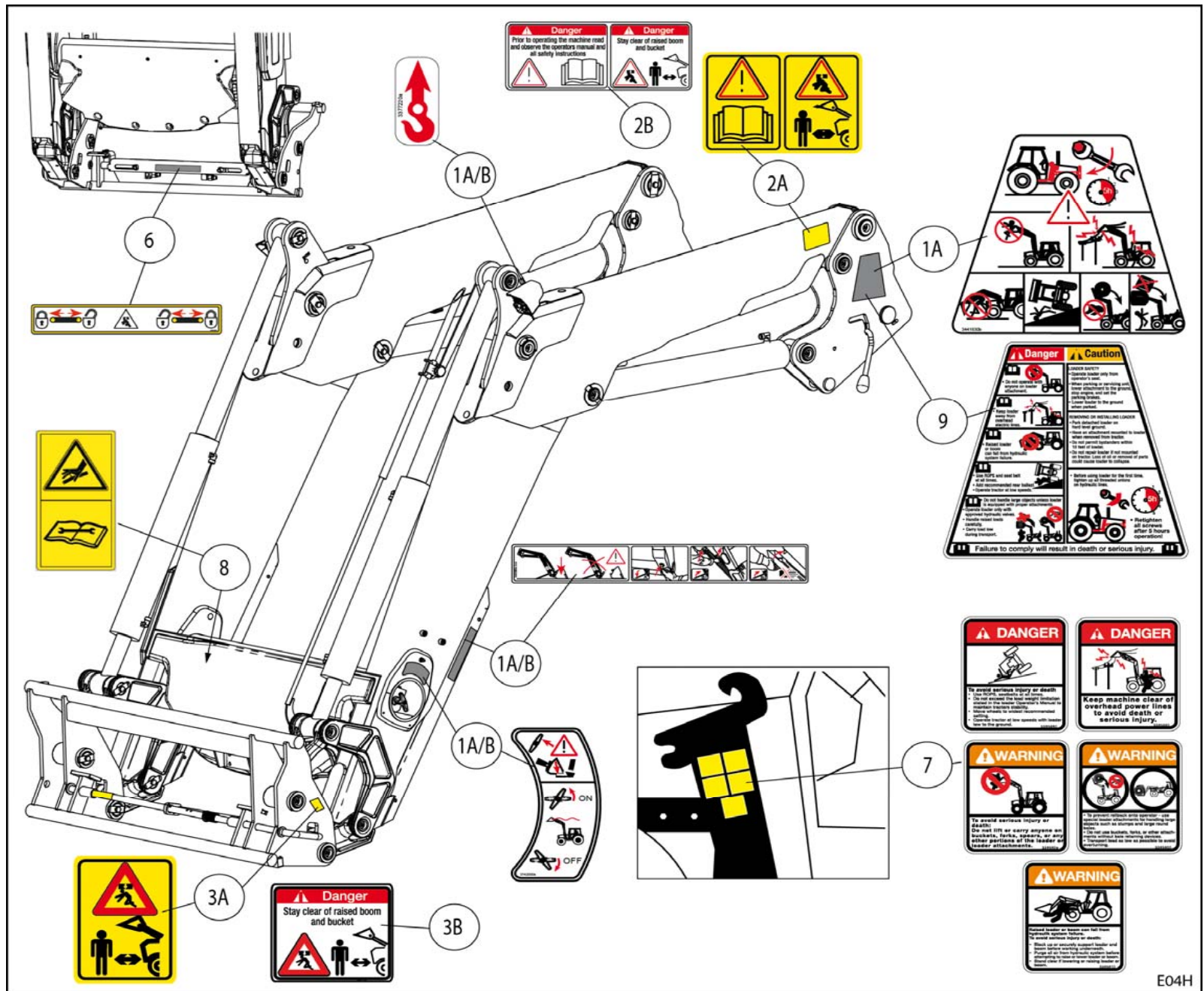
DE Elektro-Funktionsschalter
 EN Electric function switches
 FR Interrupteurs électriques



E04Z

| LWU1024 | | Elektro-Funktionsschalter | Electric function switches | Interrupteurs électriques | | | |
|--|--------------------|--------------------------------------|--|---|----------------------|------------------|--------------|
| Pos. | Bestell-Nr. | Benennung | Description | Désignation | Zeichnungsnr. | SIZE/MASS | FS/FZ |
| 1 | 1429680 | Wippenschalter Comfort-Drive | Toggle switch for Comfort Drive | Interrupteur pour Comfort-Drive | | | 1 |
| 2 | 1429670 | Wippenschalter Werkzeug-Verriegelung | Toggle switch for implement locking | Interrupteur pour verrouillage de l'outil | | | 1 |
| 3 | 1431110 | Einbaurahmen | Mounting frame | Cadre de montage | | | 1 |
| 4 | 1317950 | Kabel | Cable | Câble | 58.35-01-05.1 | | 1 |
| 5 | 0413710 | Steckverteiler blau | Plug junction blue | Connexion de fiche bleu | | 6,3 - 2,5 | 1 |
| 6 | 0401920 | Steckhülse blau | Push-on contact blue | Connexion bleu | | 6,3 - 2,5 | 1 |
| 7 | 0207690 | Steckhülse rot | Push-on contact red | Connexion rouge | | 6,3 - 1,0 | 2 |
| 8 | 1317920 | Kabel | Cable | Câble | 58.35-01-03.1 | | 1 |
| 9 | 0453680 | Kabelschuh | Eyelet | Cosse de câble | | 8 - 1,0 | 1 |
| 10 | 0436190 | Adernendhülsen | End splice | Cosse isolante | | A 1,0-6 MS | 1 |
|  | 3459520 | Elektro-Kit Werkzeug-Verriegelung | Electric kit implement locking mechanism | Kit électrique verrouillage de l'outil | 58.725-25-11 | | 1 |
| | 3459530 | Elektro-Kit Comfort-Drive | Electric kit Comfort Drive | Kit électrique Comfort-Drive | 58.725-25-12 | | 1 |

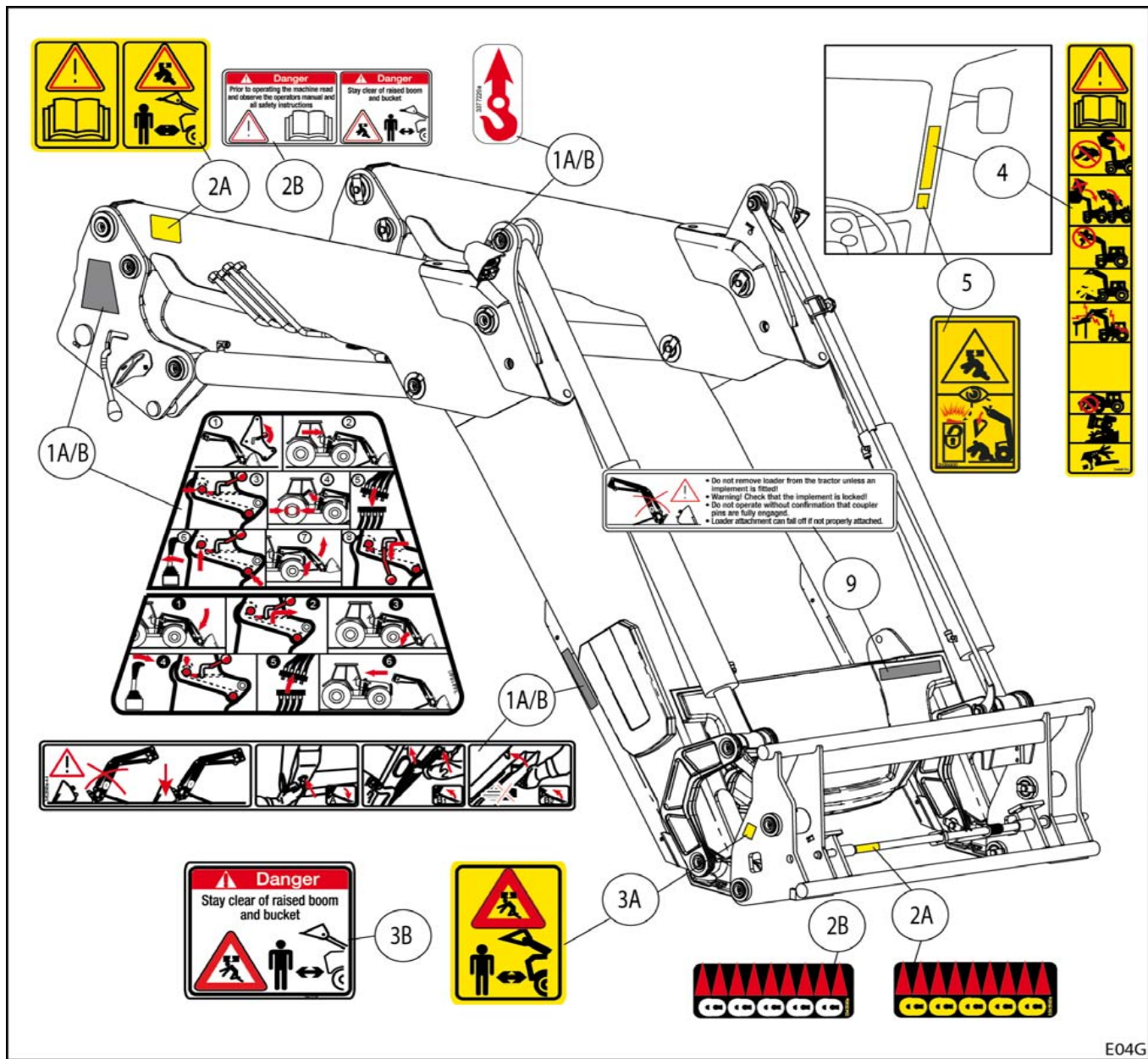
DE Aufkleber links
 EN Decals left
 FR Autocollants gauches



E04H

| E04G+E04H | | Aufkleber und Anleitung | Decals and manual | Autocollants et notice d'utilisation | |
|-----------|-------------|--|--|---|-------|
| Pos. | Bestell-Nr. | Benennung | Description | Désignation | FS/FZ |
| 1A | 3742000 | Aufklebersatz Technik | Kit decals "Technics" | Kit d'autocollants "technique" | 1 |
| 2A | 3431550 | Aufkleberbogen „Technik gelb“ <i>für Europa: EU-Länder</i> | Decal sheet "Technology yellow" <i>for Europe: EC countries</i> | Plaque d'autocollants « technique, jaune » <i>pour Europe: pays membre UE</i> | 1 |
| 1B | 3742340 | Aufklebersatz Technik ASAE | Kit decals "Technics ASAE" | Kit d'autocollants "technique ASAE" | 1 |
| 2B | 3484230 | Aufkleber Technik ASAE <i>nur im Bereich der ASAE</i> <i>USA, Neuseeland, Australien</i> | Decal "Technics" <i>ASAE states only</i> <i>USA, New Zealand, Australia</i> | Autocollant "technique" <i>seulement pour les payes ASAE standard</i> <i>USA, Nouvelle Zélande, Australie</i> | 1 |
| 3A | 3667720 | Aufkleber Wechselrahmen EU | Decal "Change Frame" EU | Autocollant "cadre porte-outil" EU | 2 |
| 3B | 3667730 | Aufkleber Wechselrahmen ASAE | Decal "Change Frame" ASAE | Autocollant "cadre porte-outil" ASAE | 2 |
| 4 | 3449070 | Aufkleber Kabine | Decal "Cabin" | Autocollant "cabine" | 1 |
| 5 | 3435500 | Aufkleber Werkzeug-Verriegelung <i>bei hydraulischer Verriegelung</i> | Decal Implement locking mechanism <i>for hydraulic implement locking mechanism</i> | Autocollant pour Verrouillage de l'outil <i>Pour verrouillage hydraulique de l'outil</i> | 1 |
| 6 | 3435620 | Aufkleber Werkzeug-Verriegelung <i>bei hydraulischer Verriegelung</i> | Decal Implement locking mechanism <i>for hydraulic implement locking mechanism</i> | Autocollant pour Verrouillage de l'outil <i>Pour verrouillage hydraulique de l'outil</i> | 1 |
| 7 | 3395850 | Aufklebersatz "Safety ASAE" <i>nur im Bereich der ASAE</i> <i>USA, Neuseeland, Australien</i> | Kit decals "Safety ASAE" <i>ASAE states only</i> <i>USA, New Zealand, Australia</i> | Kit d'autocollants "Safety ASAE" <i>seulement pour les payes ASAE standard</i> <i>États Unis, Nouvelle Zélande, Australie</i> | 1 |
| 8 | 1439830 | Aufkleber Drucköl | Decal Pressure oil | Autocollant « Huile sous pression » | 1 |
| 9 | 3483950 | Aufklebersatz "Technik 2" ASAE <i>nur im Bereich der ASAE</i> <i>USA, Neuseeland, Australien</i> | Sticker sheet "Technology 2" ASAE <i>ASAE states only</i> <i>USA, New Zealand, Australia</i> | <i>seulement pour les payes ASAE standard</i> <i>États Unis, Nouvelle Zélande, Australie</i> | 1 |
| 10 | 3744770 | Betriebsanleitung | - | - | 1 |
| 10 | 3745080 | - | Operating instructions | - | 1 |
| 10 | 3745120 | - | - | Notice d'utilisation | 1 |

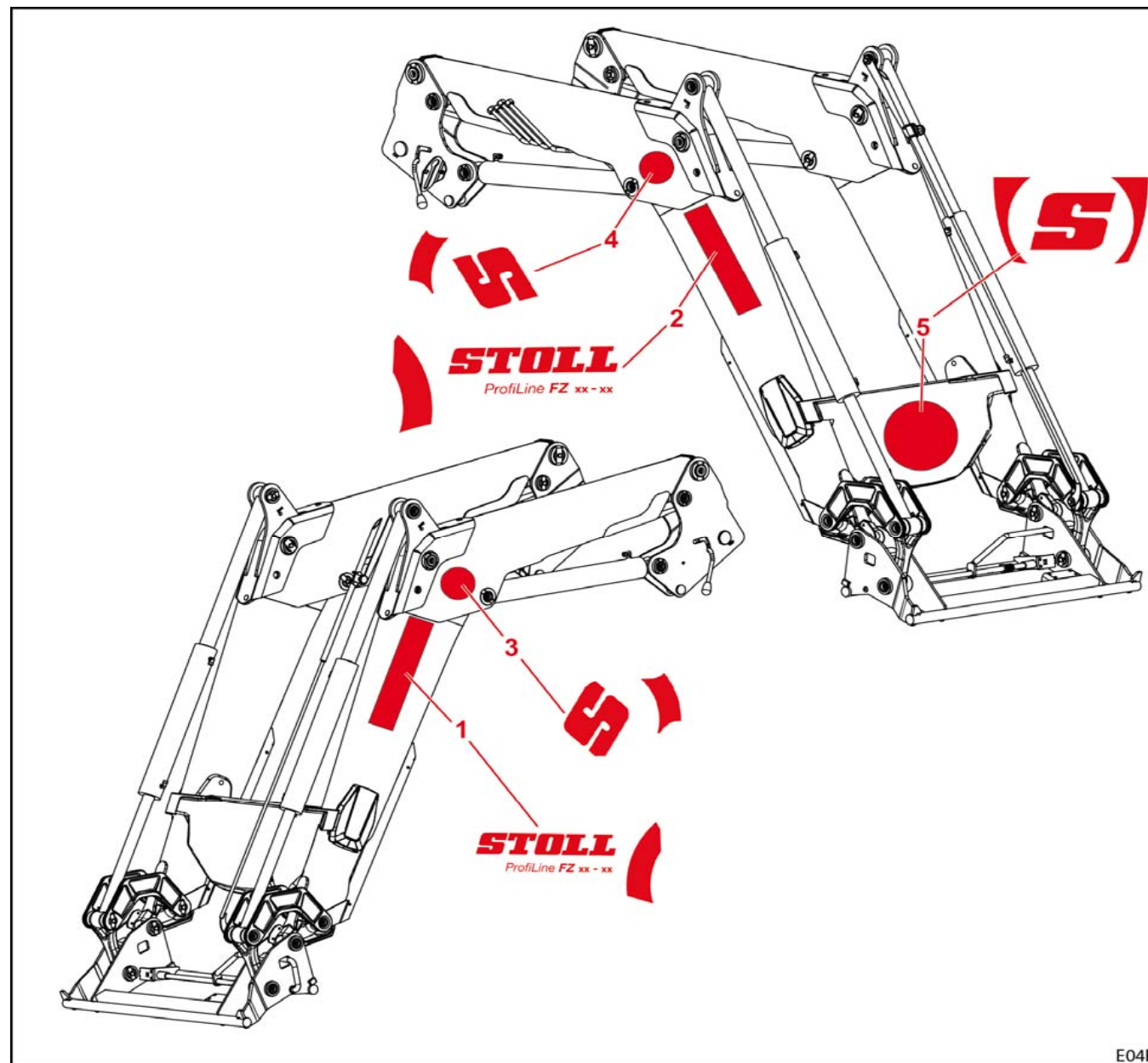
DE Aufkleber rechts
 EN Decals right
 FR Autocollants droits



E04G

| E04G+E04H | | Aufkleber und Anleitung | Decals and manual | Autocollants et notice d'utilisation | |
|-----------|-------------|--|---|---|-------|
| Pos. | Bestell-Nr. | Benennung | Description | Désignation | FS/FZ |
| 1A | 3742000 | Aufklebersatz Technik | Kit decals "Technics" | Kit d'autocollants "technique" | 1 |
| 2A | 3431550 | Aufkleberbogen „Technik gelb“ <i>für Europa: EU-Länder</i> | Decal sheet "Technology yellow" <i>for Europe: EC countries</i> | Plaque d'autocollants « technique, jaune » <i>pour Europe: pays membre UE</i> | 1 |
| 1B | 3742340 | Aufklebersatz Technik ASAE | Kit decals "Technics ASAE" | Kit d'autocollants "technique ASAE" | 1 |
| 2B | 3484230 | Aufkleber Technik ASAE <i>nur im Bereich der ASAE</i> | Decal "Technics" <i>ASAE states only</i> | Autocollant "technique" <i>seulement pour les payes ASAE standard</i> | 1 |
| | | <i>USA, Neuseeland, Australien</i> | <i>USA, New Zealand, Australia</i> | <i>USA, Nouvelle Zélande, Australie</i> | |
| 3A | 3667720 | Aufkleber Wechselrahmen EU | Decal "Change Frame" EU | Autocollant "cadre porte-outil" EU | 2 |
| 3B | 3667730 | Aufkleber Wechselrahmen ASAE | Decal "Change Frame" ASAE | Autocollant "cadre porte-outil" ASAE | 2 |
| 4 | 3449070 | Aufkleber Kabine | Decal "Cabin" | Autocollant "cabine" | 1 |
| 5 | 3435500 | Aufkleber Werkzeug-Verriegelung <i>bei hydraulischer Verriegelung</i> | Decal Implement locking mechanism <i>for hydraulic implement locking mechanism</i> | Autocollant pour Verrouillage de l'outil <i>Pour verrouillage hydraulique de l'outil</i> | 1 |
| 6 | 3435620 | Aufkleber Werkzeug-Verriegelung <i>bei hydraulischer Verriegelung</i> | Decal Implement locking mechanism <i>for hydraulic implement locking mechanism</i> | Autocollant pour Verrouillage de l'outil <i>Pour verrouillage hydraulique de l'outil</i> | 1 |
| 7 | 3395850 | Aufklebersatz "Safety ASAE" <i>USA, Neuseeland, Australien</i> | Kit decals "Safety ASAE" <i>USA, New Zealand, Australia</i> | Kit d'autocollants "Safety ASAE" <i>États Unis, Nouvelle Zélande, Australie</i> | 1 |
| 8 | 1439830 | Aufkleber Drucköl | Decal Pressure oil | Autocollant « Huile sous pression » | 1 |
| 9 | 3483950 | Aufklebersatz "Technik 2" ASAE <i>nur im Bereich der ASAE</i> | Sticker sheet "Technology 2" ASAE <i>ASAE states only</i> | <i>seulement pour les payes ASAE standard</i> | 1 |
| | | <i>USA, Neuseeland, Australien</i> | <i>USA, New Zealand, Australia</i> | <i>États Unis, Nouvelle Zélande, Australie</i> | |
| 10 | 3744770 | Betriebsanleitung | - | - | 1 |
| 10 | 3745080 | - | Operating instructions | - | 1 |
| 10 | 3745120 | - | - | Notice d'utilisation | 1 |

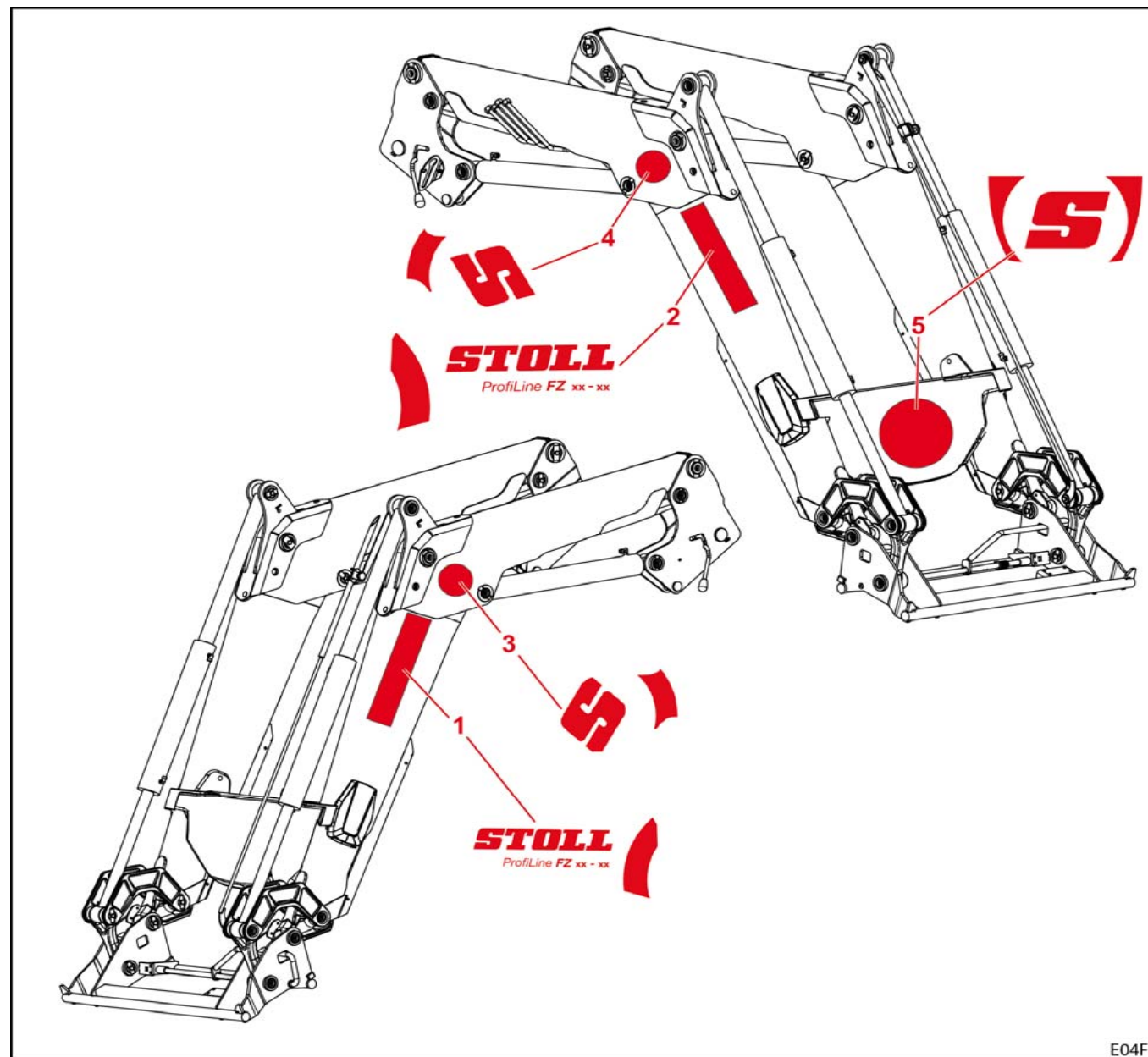
DE Aufkleber allgemein
EN Decals generally
FR Autocollants généraux



E04F

| E04F | | Aufkleber allgemein | Decals generally | Autocollants généraux | | | | | | | | | | | | | | | | | | | | | | | | | | | | | | | | | | | | | | | | | | | | |
|------|-------------|--|---------------------------------------|--|----------|------------|----------|------------|------------|----------|------------|----------|------------|----------|------------|----------|------------|----------|------------|----------|------------|----------|------------|----------|------------|----------|------------|----------|------------|----------|------------|----------|------------|----------|------------|------------|------------|------------|------------|------------|------------|---|---|---|---|---|---|---|
| Pos. | Bestell-Nr. | Benennung | Description | Désignation | FZ 36-20 | FZ 36-20.1 | FS 36-24 | FS 36-24.1 | FZ 36-24.1 | FZ 39-23 | FZ 39-23.1 | FS 39-27 | FS 39-27.1 | FZ 39-27 | FZ 39-27.1 | FS 39-31 | FS 39-31.1 | FZ 39-31 | FZ 39-31.1 | FZ 41-25 | FZ 41-25.1 | FZ 41-29 | FZ 41-29.1 | FS 41-33 | FS 41-33.1 | FZ 41-33 | FZ 41-33.1 | FZ 43-27 | FZ 43-27.1 | FZ 43-30 | FZ 43-30.1 | FS 43-34 | FS 43-34.1 | FZ 43-34 | FZ 43-34.1 | FZ 46-26.1 | FZ 46-29.1 | FZ 46-33.1 | FZ 48-33.1 | FZ 48-37.1 | FZ 48-42.1 | | | | | | | |
| 1 | 3749640 | Aufkleber STOLL FZ 36-20 vorn links rot | Decal STOLL FZ 36-20 front left red | Autocollant STOLL FZ 36-20 devant gauche rouge | 1 | 1 | - | - | - | - | - | - | - | - | - | - | - | - | - | - | - | - | - | - | - | - | - | - | - | - | - | - | - | - | - | - | - | - | - | - | - | - | - | - | - | - | - | |
| 1 | 3749780 | Aufkleber STOLL FZ 36-20 vorn links weiß | Decal STOLL FZ 36-20 front left white | Autocollant STOLL FZ 36-20 devant gauche blanc | 1 | 1 | - | - | - | - | - | - | - | - | - | - | - | - | - | - | - | - | - | - | - | - | - | - | - | - | - | - | - | - | - | - | - | - | - | - | - | - | - | - | - | - | - | - |
| 1 | 3748140 | Aufkleber STOLL FS 36-24 vorn links rot | Decal STOLL FS 36-24 front left red | Autocollant STOLL FS 36-24 devant gauche rouge | - | - | 1 | 1 | - | - | - | - | - | - | - | - | - | - | - | - | - | - | - | - | - | - | - | - | - | - | - | - | - | - | - | - | - | - | - | - | - | - | - | - | - | - | - | - |
| 1 | 3748560 | Aufkleber STOLL FS 36-24 vorn links weiß | Decal STOLL FS 36-24 front left white | Autocollant STOLL FS 36-24 devant gauche blanc | - | - | 1 | 1 | - | - | - | - | - | - | - | - | - | - | - | - | - | - | - | - | - | - | - | - | - | - | - | - | - | - | - | - | - | - | - | - | - | - | - | - | - | - | - | - |
| 1 | 3748100 | Aufkleber STOLL FZ 36-24 vorn links rot | Decal STOLL FZ 36-24 front left red | Autocollant STOLL FZ 36-24 devant gauche rouge | - | - | - | - | 1 | 1 | - | - | - | - | - | - | - | - | - | - | - | - | - | - | - | - | - | - | - | - | - | - | - | - | - | - | - | - | - | - | - | - | - | - | - | - | - | - |
| 1 | 3748520 | Aufkleber STOLL FZ 36-24 vorn links weiß | Decal STOLL FZ 36-24 front left white | Autocollant STOLL FZ 36-24 devant gauche blanc | - | - | - | - | 1 | 1 | - | - | - | - | - | - | - | - | - | - | - | - | - | - | - | - | - | - | - | - | - | - | - | - | - | - | - | - | - | - | - | - | - | - | - | - | - | - |
| 1 | 3749660 | Aufkleber STOLL FZ 39-23 vorn links rot | Decal STOLL FZ 39-23 front left red | Autocollant STOLL FZ 39-23 devant gauche rouge | - | - | - | - | - | 1 | 1 | - | - | - | - | - | - | - | - | - | - | - | - | - | - | - | - | - | - | - | - | - | - | - | - | - | - | - | - | - | - | - | - | - | - | - | - | - |
| 1 | 3749800 | Aufkleber STOLL FZ 39-23 vorn links weiß | Decal STOLL FZ 39-23 front left white | Autocollant STOLL FZ 39-23 devant gauche blanc | - | - | - | - | - | 1 | 1 | - | - | - | - | - | - | - | - | - | - | - | - | - | - | - | - | - | - | - | - | - | - | - | - | - | - | - | - | - | - | - | - | - | - | - | - | - |
| 1 | 3750790 | Aufkleber STOLL FS 39-27 vorn links rot | Decal STOLL FS 39-27 front left red | Autocollant STOLL FS 39-27 devant gauche rouge | - | - | - | - | - | - | 1 | 1 | - | - | - | - | - | - | - | - | - | - | - | - | - | - | - | - | - | - | - | - | - | - | - | - | - | - | - | - | - | - | - | - | - | - | - | - |
| 1 | 3750810 | Aufkleber STOLL FS 39-27 vorn links weiß | Decal STOLL FS 39-27 front left white | Autocollant STOLL FS 39-27 devant gauche blanc | - | - | - | - | - | - | 1 | 1 | - | - | - | - | - | - | - | - | - | - | - | - | - | - | - | - | - | - | - | - | - | - | - | - | - | - | - | - | - | - | - | - | - | - | - | - |
| 1 | 3750680 | Aufkleber STOLL FZ 39-27 vorn links rot | Decal STOLL FZ 39-27 front left red | Autocollant STOLL FZ 39-27 devant gauche rouge | - | - | - | - | - | - | - | 1 | 1 | - | - | - | - | - | - | - | - | - | - | - | - | - | - | - | - | - | - | - | - | - | - | - | - | - | - | - | - | - | - | - | - | - | - | - |
| 1 | 3750700 | Aufkleber STOLL FZ 39-27 vorn links weiß | Decal STOLL FZ 39-27 front left white | Autocollant STOLL FZ 39-27 devant gauche blanc | - | - | - | - | - | - | - | 1 | 1 | - | - | - | - | - | - | - | - | - | - | - | - | - | - | - | - | - | - | - | - | - | - | - | - | - | - | - | - | - | - | - | - | - | - | - |
| 1 | 3748220 | Aufkleber STOLL FS 39-31 vorn links rot | Decal STOLL FS 39-31 front left red | Autocollant STOLL FS 39-31 devant gauche rouge | - | - | - | - | - | - | - | - | - | - | 1 | 1 | - | - | - | - | - | - | - | - | - | - | - | - | - | - | - | - | - | - | - | - | - | - | - | - | - | - | - | - | - | - | - | - |
| 1 | 3748640 | Aufkleber STOLL FS 39-31 vorn links weiß | Decal STOLL FS 39-31 front left white | Autocollant STOLL FS 39-31 devant gauche blanc | - | - | - | - | - | - | - | - | - | - | 1 | 1 | - | - | - | - | - | - | - | - | - | - | - | - | - | - | - | - | - | - | - | - | - | - | - | - | - | - | - | - | - | - | - | - |
| 1 | 3748180 | Aufkleber STOLL FZ 39-31 vorn links rot | Decal STOLL FZ 39-31 front left red | Autocollant STOLL FZ 39-31 devant gauche rouge | - | - | - | - | - | - | - | - | - | - | - | - | 1 | 1 | - | - | - | - | - | - | - | - | - | - | - | - | - | - | - | - | - | - | - | - | - | - | - | - | - | - | - | - | - | - |
| 1 | 3748600 | Aufkleber STOLL FZ 39-31 vorn links weiß | Decal STOLL FZ 39-31 front left white | Autocollant STOLL FZ 39-31 devant gauche blanc | - | - | - | - | - | - | - | - | - | - | - | - | 1 | 1 | - | - | - | - | - | - | - | - | - | - | - | - | - | - | - | - | - | - | - | - | - | - | - | - | - | - | - | - | - | - |
| 1 | 3749680 | Aufkleber STOLL FZ 41-25 vorn links rot | Decal STOLL FZ 41-25 front left red | Autocollant STOLL FZ 41-25 devant gauche rouge | - | - | - | - | - | - | - | - | - | - | - | - | - | - | 1 | 1 | - | - | - | - | - | - | - | - | - | - | - | - | - | - | - | - | - | - | - | - | - | - | - | - | - | - | - | - |
| 1 | 3749820 | Aufkleber STOLL FZ 41-25 vorn links weiß | Decal STOLL FZ 41-25 front left white | Autocollant STOLL FZ 41-25 devant gauche blanc | - | - | - | - | - | - | - | - | - | - | - | - | - | - | - | 1 | 1 | - | - | - | - | - | - | - | - | - | - | - | - | - | - | - | - | - | - | - | - | - | - | - | - | - | - | - |
| 1 | 3749700 | Aufkleber STOLL FZ 41-29 vorn links rot | Decal STOLL FZ 41-29 front left red | Autocollant STOLL FZ 41-29 devant gauche rouge | - | - | - | - | - | - | - | - | - | - | - | - | - | - | - | - | - | 1 | 1 | - | - | - | - | - | - | - | - | - | - | - | - | - | - | - | - | - | - | - | - | - | - | - | - | |
| 1 | 3749840 | Aufkleber STOLL FZ 41-29 vorn links weiß | Decal STOLL FZ 41-29 front left white | Autocollant STOLL FZ 41-29 devant gauche blanc | - | - | - | - | - | - | - | - | - | - | - | - | - | - | - | - | - | 1 | 1 | - | - | - | - | - | - | - | - | - | - | - | - | - | - | - | - | - | - | - | - | - | - | - | - | |

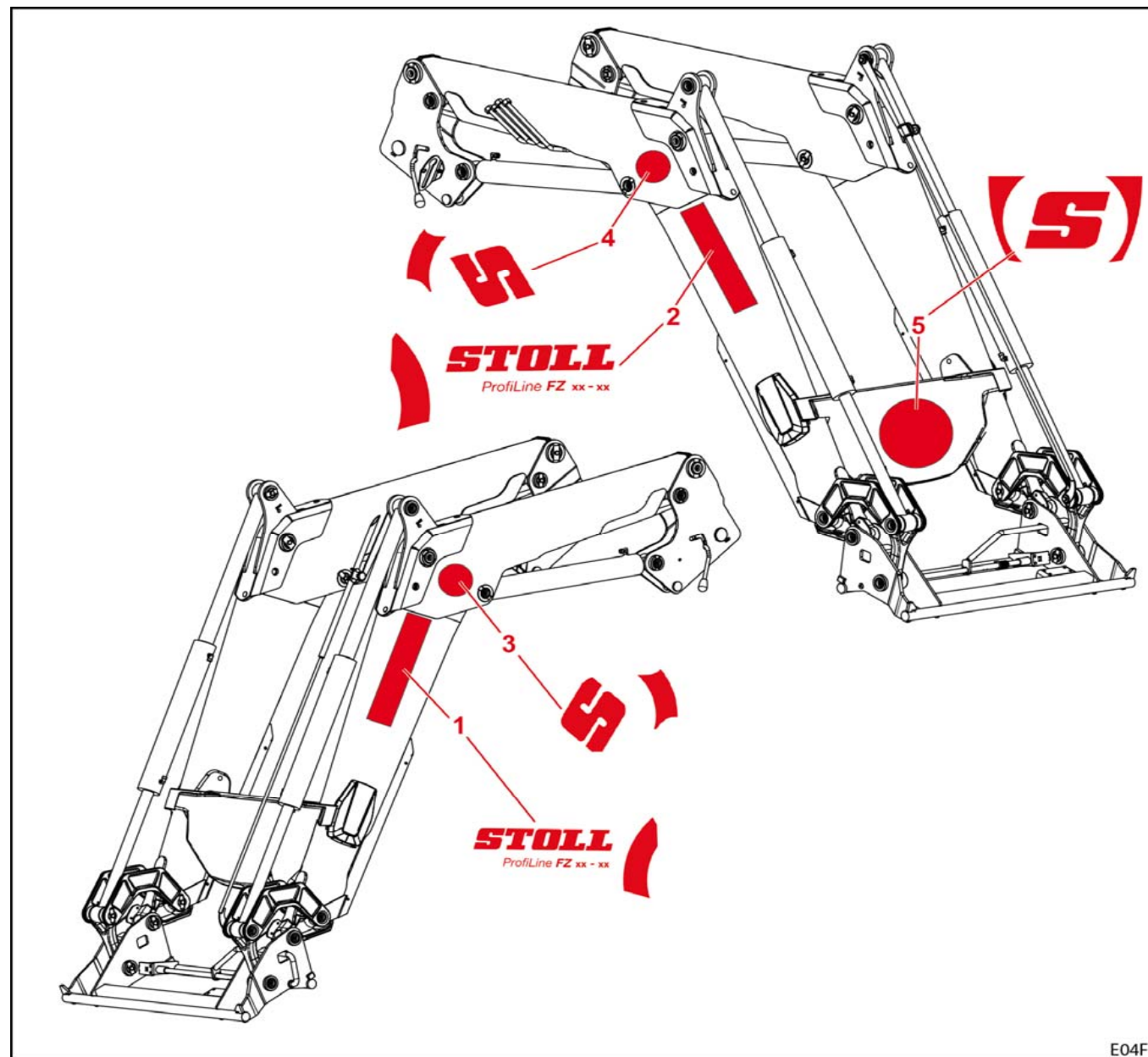
DE Aufkleber allgemein
EN Decals generally
FR Autocollants généraux



E04F

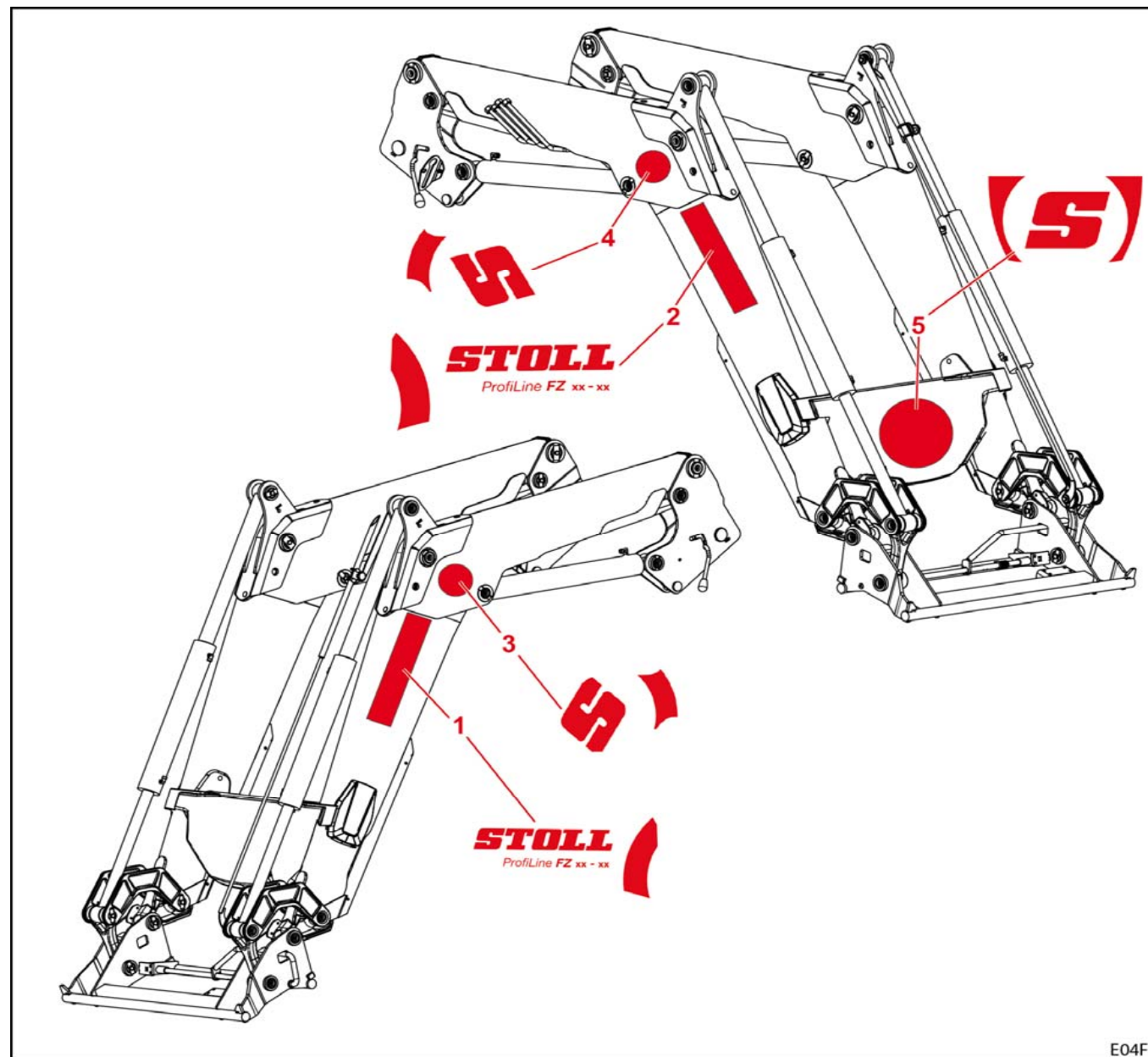
| Pos. | Bestell-Nr. | Benennung | Description | Désignation | FZ 36-20 | FZ 36-20.1 | FS 36-24 | FS 36-24.1 | FZ 36-24 | FZ 36-24.1 | FZ 39-23 | FS 39-27 | FS 39-27.1 | FZ 39-27 | FS 39-31 | FS 39-31.1 | FZ 39-31 | FZ 39-31.1 | FZ 41-25 | FZ 41-25.1 | FZ 41-29 | FZ 41-29.1 | FS 41-33 | FS 41-33.1 | FZ 41-33 | FZ 41-33.1 | FZ 43-27 | FZ 43-27.1 | FZ 43-30 | FZ 43-30.1 | FS 43-34 | FS 43-34.1 | FZ 43-34 | FZ 43-34.1 | FZ 46-26 | FZ 46-26.1 | FZ 46-29 | FZ 46-29.1 | FZ 46-33 | FZ 46-33.1 | FZ 48-37 | FZ 48-37.1 | FZ 48-42 | FZ 48-42.1 | | | | | |
|------|-------------|--|---------------------------------------|--|----------|------------|----------|------------|----------|------------|----------|----------|------------|----------|----------|------------|----------|------------|----------|------------|----------|------------|----------|------------|----------|------------|----------|------------|----------|------------|----------|------------|----------|------------|----------|------------|----------|------------|----------|------------|----------|------------|----------|------------|---|---|---|---|---|
| 1 | 3748300 | Aufkleber STOLL FS 41-33 vorn links rot | Decal STOLL FS 41-33 front left red | Autocollant STOLL FS 41-33 devant gauche rouge | - | - | - | - | - | - | - | - | - | - | - | - | - | - | - | - | - | - | 1 | 1 | - | - | - | - | - | - | - | - | - | - | - | - | - | - | - | - | - | - | - | - | | | | | |
| 1 | 3748720 | Aufkleber STOLL FS 41-33 vorn links weiß | Decal STOLL FS 41-33 front left white | Autocollant STOLL FS 41-33 devant gauche blanc | - | - | - | - | - | - | - | - | - | - | - | - | - | - | - | - | - | - | 1 | 1 | - | - | - | - | - | - | - | - | - | - | - | - | - | - | - | - | - | - | - | - | - | - | | | |
| 1 | 3748260 | Aufkleber STOLL FZ 41-33 vorn links rot | Decal STOLL FZ 41-33 front left red | Autocollant STOLL FZ 41-33 devant gauche rouge | - | - | - | - | - | - | - | - | - | - | - | - | - | - | - | - | - | - | - | - | 1 | 1 | - | - | - | - | - | - | - | - | - | - | - | - | - | - | - | - | - | - | - | - | | | |
| 1 | 3748680 | Aufkleber STOLL FZ 41-33 vorn links weiß | Decal STOLL FZ 41-33 front left white | Autocollant STOLL FZ 41-33 devant gauche blanc | - | - | - | - | - | - | - | - | - | - | - | - | - | - | - | - | - | - | - | - | 1 | 1 | - | - | - | - | - | - | - | - | - | - | - | - | - | - | - | - | - | - | - | - | - | | |
| 1 | 3749720 | Aufkleber STOLL FZ 43-27 vorn links rot | Decal STOLL FZ 43-27 front left red | Autocollant STOLL FZ 43-27 devant gauche rouge | - | - | - | - | - | - | - | - | - | - | - | - | - | - | - | - | - | - | - | - | - | - | 1 | 1 | - | - | - | - | - | - | - | - | - | - | - | - | - | - | - | - | - | - | - | | |
| 1 | 3749860 | Aufkleber STOLL FZ 43-27 vorn links weiß | Decal STOLL FZ 43-27 front left white | Autocollant STOLL FZ 43-27 devant gauche blanc | - | - | - | - | - | - | - | - | - | - | - | - | - | - | - | - | - | - | - | - | - | - | 1 | 1 | - | - | - | - | - | - | - | - | - | - | - | - | - | - | - | - | - | - | - | - | |
| 1 | 3772390 | Aufkleber STOLL FS 43-30 vorn links rot | Decal STOLL FS 43-30 front left red | Autocollant STOLL FS 43-30 devant gauche rouge | - | - | - | - | - | - | - | - | - | - | - | - | - | - | - | - | - | - | - | - | - | - | 1 | 1 | - | - | - | - | - | - | - | - | - | - | - | - | - | - | - | - | - | - | - | | |
| 1 | 3772410 | Aufkleber STOLL FS 43-30 vorn links weiß | Decal STOLL FS 43-30 front left white | Autocollant STOLL FS 43-30 devant gauche blanc | - | - | - | - | - | - | - | - | - | - | - | - | - | - | - | - | - | - | - | - | - | - | - | 1 | 1 | - | - | - | - | - | - | - | - | - | - | - | - | - | - | - | - | - | - | - | |
| 1 | 3748380 | Aufkleber STOLL FS 43-34 vorn links rot | Decal STOLL FS 43-34 front left red | Autocollant STOLL FS 43-34 devant gauche rouge | - | - | - | - | - | - | - | - | - | - | - | - | - | - | - | - | - | - | - | - | - | - | - | - | 1 | 1 | - | - | - | - | - | - | - | - | - | - | - | - | - | - | - | - | - | - | |
| 1 | 3748800 | Aufkleber STOLL FS 43-34 vorn links weiß | Decal STOLL FS 43-34 front left white | Autocollant STOLL FS 43-34 devant gauche blanc | - | - | - | - | - | - | - | - | - | - | - | - | - | - | - | - | - | - | - | - | - | - | - | - | 1 | 1 | - | - | - | - | - | - | - | - | - | - | - | - | - | - | - | - | - | - | - |
| 1 | 3748340 | Aufkleber STOLL FZ 43-34 vorn links rot | Decal STOLL FZ 43-34 front left red | Autocollant STOLL FZ 43-34 devant gauche rouge | - | - | - | - | - | - | - | - | - | - | - | - | - | - | - | - | - | - | - | - | - | - | - | - | - | 1 | 1 | - | - | - | - | - | - | - | - | - | - | - | - | - | - | - | - | - | |
| 1 | 3748760 | Aufkleber STOLL FZ 43-34 vorn links weiß | Decal STOLL FZ 43-34 front left white | Autocollant STOLL FZ 43-34 devant gauche blanc | - | - | - | - | - | - | - | - | - | - | - | - | - | - | - | - | - | - | - | - | - | - | - | - | - | - | 1 | 1 | - | - | - | - | - | - | - | - | - | - | - | - | - | - | - | - | |
| 1 | 3749740 | Aufkleber STOLL FZ 46-26 vorn links rot | Decal STOLL FZ 46-26 front left red | Autocollant STOLL FZ 46-26 devant gauche rouge | - | - | - | - | - | - | - | - | - | - | - | - | - | - | - | - | - | - | - | - | - | - | - | - | - | - | 1 | - | - | - | - | - | - | - | - | - | - | - | - | - | - | - | - | - | |
| 1 | 3749880 | Aufkleber STOLL FZ 46-26 vorn links weiß | Decal STOLL FZ 46-26 front left white | Autocollant STOLL FZ 46-26 devant gauche blanc | - | - | - | - | - | - | - | - | - | - | - | - | - | - | - | - | - | - | - | - | - | - | - | - | - | - | - | 1 | - | - | - | - | - | - | - | - | - | - | - | - | - | - | - | - | |
| 1 | 3774280 | Aufkleber STOLL FZ 46-29 vorn links rot | Decal STOLL FZ 46-29 front left red | Autocollant STOLL FZ 46-29 devant gauche rouge | - | - | - | - | - | - | - | - | - | - | - | - | - | - | - | - | - | - | - | - | - | - | - | - | - | - | - | 1 | - | - | - | - | - | - | - | - | - | - | - | - | - | - | - | - | |
| 1 | 3774300 | Aufkleber STOLL FZ 46-29 vorn links weiß | Decal STOLL FZ 46-29 front left white | Autocollant STOLL FZ 46-29 devant gauche blanc | - | - | - | - | - | - | - | - | - | - | - | - | - | - | - | - | - | - | - | - | - | - | - | - | - | - | - | - | 1 | - | - | - | - | - | - | - | - | - | - | - | - | - | - | - | |
| 1 | 3748420 | Aufkleber STOLL FZ 46-33 vorn links rot | Decal STOLL FZ 46-33 front left red | Autocollant STOLL FZ 46-33 devant gauche rouge | - | - | - | - | - | - | - | - | - | - | - | - | - | - | - | - | - | - | - | - | - | - | - | - | - | - | - | 1 | - | - | - | - | - | - | - | - | - | - | - | - | - | - | - | - | |
| 1 | 3748840 | Aufkleber STOLL FZ 46-33 vorn links weiß | Decal STOLL FZ 46-33 front left white | Autocollant STOLL FZ 46-33 devant gauche blanc | - | - | - | - | - | - | - | - | - | - | - | - | - | - | - | - | - | - | - | - | - | - | - | - | - | - | - | - | 1 | - | - | - | - | - | - | - | - | - | - | - | - | - | - | - | |
| 1 | 3749760 | Aufkleber STOLL FZ 48-33 vorn links rot | Decal STOLL FZ 48-33 front left red | Autocollant STOLL FZ 48-33 devant gauche rouge | - | - | - | - | - | - | - | - | - | - | - | - | - | - | - | - | - | - | - | - | - | - | - | - | - | - | - | 1 | - | - | - | - | - | - | - | - | - | - | - | - | - | - | - | - | |
| 1 | 3749900 | Aufkleber STOLL FZ 48-33 vorn links weiß | Decal STOLL FZ 48-33 front left white | Autocollant STOLL FZ 48-33 devant gauche blanc | - | - | - | - | - | - | - | - | - | - | - | - | - | - | - | - | - | - | - | - | - | - | - | - | - | - | - | - | 1 | - | - | - | - | - | - | - | - | - | - | - | - | - | - | - | |
| 1 | 3774400 | Aufkleber STOLL FZ 48-37 vorn links rot | Decal STOLL FZ 48-37 front left red | Autocollant STOLL FZ 48-37 devant gauche rouge | - | - | - | - | - | - | - | - | - | - | - | - | - | - | - | - | - | - | - | - | - | - | - | - | - | - | - | - | 1 | - | - | - | - | - | - | - | - | - | - | - | - | - | - | - | |

DE Aufkleber allgemein
EN Decals generally
FR Autocollants généraux



E04F

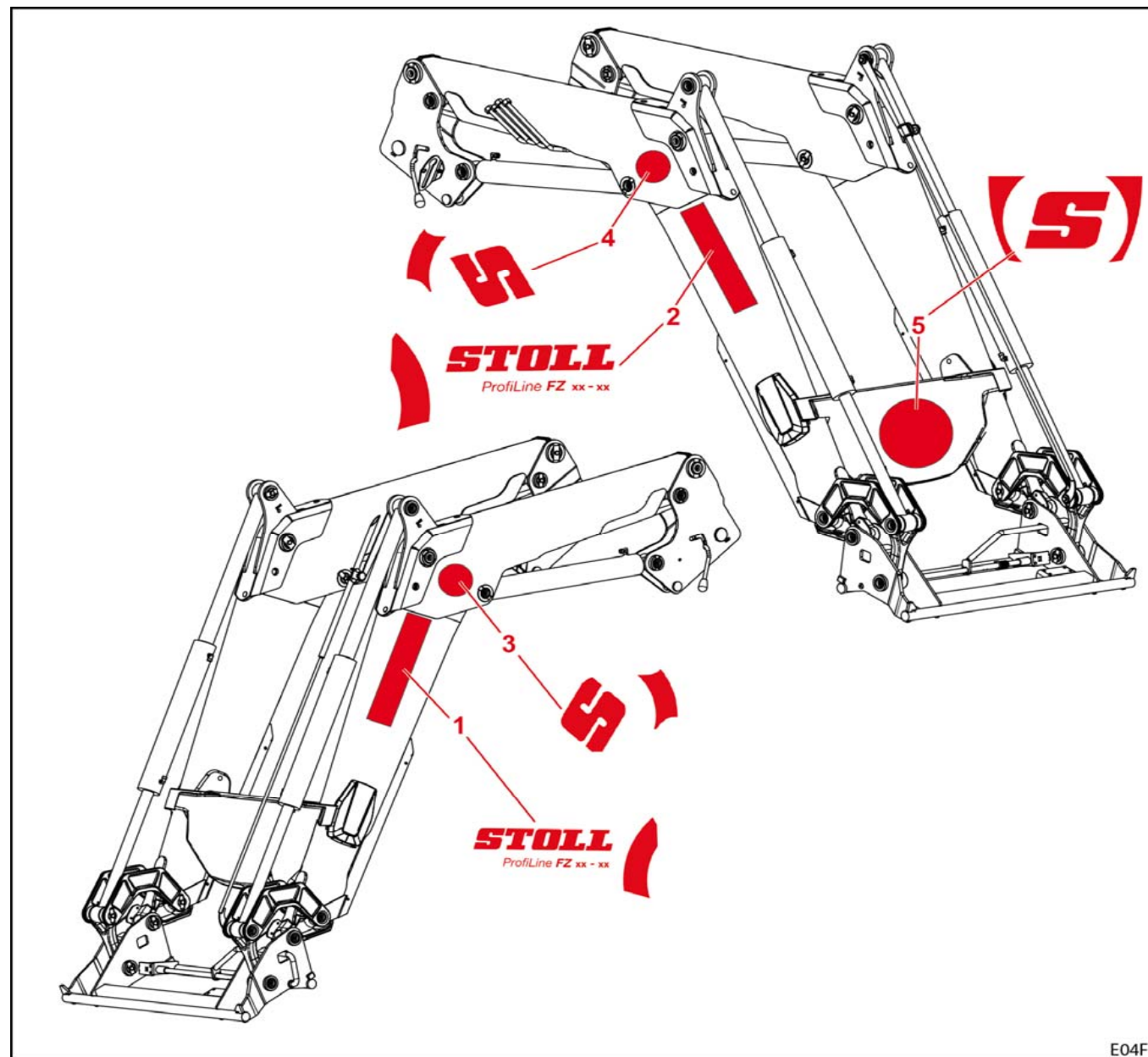
DE Aufkleber allgemein
EN Decals generally
FR Autocollants généraux



E04F

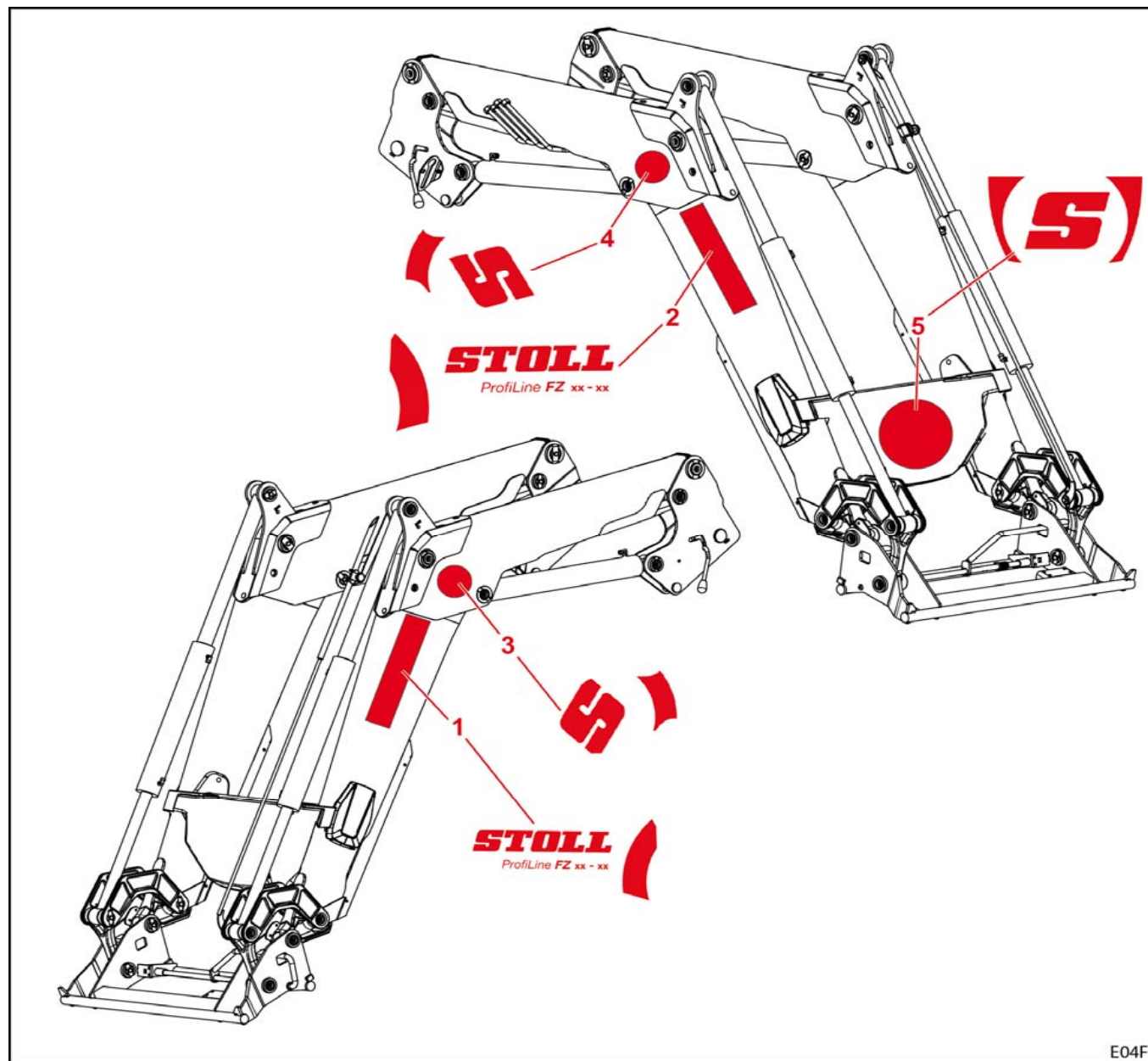
| Pos. | Bestell-Nr. | Benennung | Description | Désignation | FZ 36-20 | FZ 36-20.1 | FS 36-24 | FS 36-24.1 | FZ 36-24 | FZ 36-24.1 | FZ 39-23 | FZ 39-23.1 | FS 39-27 | FS 39-27.1 | FZ 39-27 | FZ 39-27.1 | FS 39-31 | FS 39-31.1 | FZ 39-31 | FZ 39-31.1 | FZ 41-25 | FZ 41-25.1 | FZ 41-29 | FZ 41-29.1 | FS 41-33 | FS 41-33.1 | FZ 41-33 | FZ 41-33.1 | FZ 43-27 | FZ 43-27.1 | FZ 43-30 | FZ 43-30.1 | FS 43-34 | FS 43-34.1 | FZ 43-34 | FZ 43-34.1 | FZ 46-26.1 | FZ 46-29.1 | FZ 46-33.1 | FZ 46-33.1 | FZ 48-37.1 | FZ 48-42.1 | | | | | | | | | | | | | | | | | |
|------|-------------|---|--|--|----------|------------|----------|------------|----------|------------|----------|------------|----------|------------|----------|------------|----------|------------|----------|------------|----------|------------|----------|------------|----------|------------|----------|------------|----------|------------|----------|------------|----------|------------|----------|------------|------------|------------|------------|------------|------------|------------|---|---|---|---|---|---|---|---|---|---|---|---|---|---|---|---|---|
| 2 | 3749850 | Aufkleber STOLL FZ 41-29 vorn rechts weiß | Decal STOLL FZ 41-29 front right white | Autocollant STOLL FZ 41-29 devant droite blanc | - | - | - | - | - | - | - | - | - | - | - | - | - | - | - | - | - | - | - | 1 | 1 | - | - | - | - | - | - | - | - | - | - | - | - | - | - | - | - | - | - | - | - | - | - | | | | | | | | | | | | |
| 2 | 3748310 | Aufkleber STOLL FS 41-33 vorn rechts rot | Decal STOLL FS 41-33 front right red | Autocollant STOLL FS 41-33 devant droite rouge | - | - | - | - | - | - | - | - | - | - | - | - | - | - | - | - | - | - | - | - | 1 | 1 | - | - | - | - | - | - | - | - | - | - | - | - | - | - | - | - | - | - | - | - | - | - | | | | | | | | | | | |
| 2 | 3748730 | Aufkleber STOLL FS 41-33 vorn rechts weiß | Decal STOLL FS 41-33 front right white | Autocollant STOLL FS 41-33 devant droite blanc | - | - | - | - | - | - | - | - | - | - | - | - | - | - | - | - | - | - | - | - | 1 | 1 | - | - | - | - | - | - | - | - | - | - | - | - | - | - | - | - | - | - | - | - | - | - | - | | | | | | | | | | |
| 2 | 3748270 | Aufkleber STOLL FZ 41-33 vorn rechts rot | Decal STOLL FZ 41-33 front right red | Autocollant STOLL FZ 41-33 devant droite rouge | - | - | - | - | - | - | - | - | - | - | - | - | - | - | - | - | - | - | - | - | - | - | 1 | 1 | - | - | - | - | - | - | - | - | - | - | - | - | - | - | - | - | - | - | - | - | - | - | | | | | | | | | |
| 2 | 3748690 | Aufkleber STOLL FZ 41-33 vorn rechts weiß | Decal STOLL FZ 41-33 front right white | Autocollant STOLL FZ 41-33 devant droite blanc | - | - | - | - | - | - | - | - | - | - | - | - | - | - | - | - | - | - | - | - | - | - | 1 | 1 | - | - | - | - | - | - | - | - | - | - | - | - | - | - | - | - | - | - | - | - | - | - | | | | | | | | | |
| 2 | 3749730 | Aufkleber STOLL FZ 43-27 vorn rechts rot | Decal STOLL FZ 43-27 front right red | Autocollant STOLL FZ 43-27 devant droite rouge | - | - | - | - | - | - | - | - | - | - | - | - | - | - | - | - | - | - | - | - | - | - | - | - | 1 | 1 | - | - | - | - | - | - | - | - | - | - | - | - | - | - | - | - | - | - | - | - | - | | | | | | | | |
| 2 | 3749870 | Aufkleber STOLL FZ 43-27 vorn rechts weiß | Decal STOLL FZ 43-27 front right white | Autocollant STOLL FZ 43-27 devant droite blanc | - | - | - | - | - | - | - | - | - | - | - | - | - | - | - | - | - | - | - | - | - | - | - | 1 | 1 | - | - | - | - | - | - | - | - | - | - | - | - | - | - | - | - | - | - | - | - | - | - | | | | | | | | |
| 2 | 3772400 | Aufkleber STOLL FZ 43-30 vorn rechts rot | Decal STOLL FZ 43-30 front right red | Autocollant STOLL FZ 43-30 devant droite rouge | - | - | - | - | - | - | - | - | - | - | - | - | - | - | - | - | - | - | - | - | - | - | - | - | - | 1 | 1 | - | - | - | - | - | - | - | - | - | - | - | - | - | - | - | - | - | - | - | - | | | | | | | | |
| 2 | 3772420 | Aufkleber STOLL FZ 43-30 vorn rechts weiß | Decal STOLL FZ 43-30 front right white | Autocollant STOLL FZ 43-30 devant droite blanc | - | - | - | - | - | - | - | - | - | - | - | - | - | - | - | - | - | - | - | - | - | - | - | - | 1 | 1 | - | - | - | - | - | - | - | - | - | - | - | - | - | - | - | - | - | - | - | - | - | - | | | | | | | |
| 2 | 3748390 | Aufkleber STOLL FS 43-34 vorn rechts rot | Decal STOLL FS 43-34 front right red | Autocollant STOLL FS 43-34 devant droite rouge | - | - | - | - | - | - | - | - | - | - | - | - | - | - | - | - | - | - | - | - | - | - | - | - | - | - | 1 | 1 | - | - | - | - | - | - | - | - | - | - | - | - | - | - | - | - | - | - | - | - | | | | | | | |
| 2 | 3748810 | Aufkleber STOLL FS 43-34 vorn rechts weiß | Decal STOLL FS 43-34 front right white | Autocollant STOLL FS 43-34 devant droite blanc | - | - | - | - | - | - | - | - | - | - | - | - | - | - | - | - | - | - | - | - | - | - | - | - | - | - | - | 1 | 1 | - | - | - | - | - | - | - | - | - | - | - | - | - | - | - | - | - | - | - | | | | | | | |
| 2 | 3748350 | Aufkleber STOLL FZ 43-34 vorn rechts rot | Decal STOLL FZ 43-34 front right red | Autocollant STOLL FZ 43-34 devant droite rouge | - | - | - | - | - | - | - | - | - | - | - | - | - | - | - | - | - | - | - | - | - | - | - | - | - | - | - | - | 1 | 1 | - | - | - | - | - | - | - | - | - | - | - | - | - | - | - | - | - | - | | | | | | | |
| 2 | 3748770 | Aufkleber STOLL FZ 43-34 vorn rechts weiß | Decal STOLL FZ 43-34 front right white | Autocollant STOLL FZ 43-34 devant droite blanc | - | - | - | - | - | - | - | - | - | - | - | - | - | - | - | - | - | - | - | - | - | - | - | - | - | - | - | 1 | 1 | - | - | - | - | - | - | - | - | - | - | - | - | - | - | - | - | - | - | - | - | | | | | | |
| 2 | 3749750 | Aufkleber STOLL FZ 46-26 vorn rechts rot | Decal STOLL FZ 46-26 front right red | Autocollant STOLL FZ 46-26 devant droite rouge | - | - | - | - | - | - | - | - | - | - | - | - | - | - | - | - | - | - | - | - | - | - | - | - | - | - | - | - | - | - | - | - | - | - | - | - | - | - | - | 1 | - | - | - | - | - | - | - | | | | | | | | |
| 2 | 3749890 | Aufkleber STOLL FZ 46-26 vorn rechts weiß | Decal STOLL FZ 46-26 front right white | Autocollant STOLL FZ 46-26 devant droite blanc | - | - | - | - | - | - | - | - | - | - | - | - | - | - | - | - | - | - | - | - | - | - | - | - | - | - | - | - | - | - | - | - | - | - | - | - | - | - | - | 1 | - | - | - | - | - | - | - | - | - | | | | | | |
| 2 | 3774290 | Aufkleber STOLL FZ 46-29 vorn rechts rot | Decal STOLL FZ 46-29 front right red | Autocollant STOLL FZ 46-29 devant droite rouge | - | - | - | - | - | - | - | - | - | - | - | - | - | - | - | - | - | - | - | - | - | - | - | - | - | - | - | - | - | - | - | - | - | - | - | - | - | - | - | - | 1 | - | - | - | - | - | - | - | - | - | | | | | |
| 2 | 3774310 | Aufkleber STOLL FZ 46-29 vorn rechts weiß | Decal STOLL FZ 46-29 front right white | Autocollant STOLL FZ 46-29 devant droite blanc | - | - | - | - | - | - | - | - | - | - | - | - | - | - | - | - | - | - | - | - | - | - | - | - | - | - | - | - | - | - | - | - | - | - | - | - | - | - | - | - | - | - | 1 | - | - | - | - | - | - | - | - | - | | | |
| 2 | 3748430 | Aufkleber STOLL FZ 46-33 vorn rechts rot | Decal STOLL FZ 46-33 front right red | Autocollant STOLL FZ 46-33 devant droite rouge | - | - | - | - | - | - | - | - | - | - | - | - | - | - | - | - | - | - | - | - | - | - | - | - | - | - | - | - | - | - | - | - | - | - | - | - | - | - | - | - | - | - | - | - | 1 | - | - | - | - | - | - | - | | | |
| 2 | 3748850 | Aufkleber STOLL FZ 46-33 vorn rechts weiß | Decal STOLL FZ 46-33 front right white | Autocollant STOLL FZ 46-33 devant droite blanc | - | - | - | - | - | - | - | - | - | - | - | - | - | - | - | - | - | - | - | - | - | - | - | - | - | - | - | - | - | - | - | - | - | - | - | - | - | - | - | - | - | - | - | 1 | - | - | - | - | - | - | - | - | - | | |
| 2 | 3749770 | Aufkleber STOLL FZ 48-33 vorn rechts rot | Decal STOLL FZ 48-33 front right red | Autocollant STOLL FZ 48-33 devant droite rouge | - | - | - | - | - | - | - | - | - | - | - | - | - | - | - | - | - | - | - | - | - | - | - | - | - | - | - | - | - | - | - | - | - | - | - | - | - | - | - | - | - | - | - | - | 1 | - | - | - | - | - | - | - | | | |
| 2 | 3749910 | Aufkleber STOLL FZ 48-33 vorn rechts weiß | Decal STOLL FZ 48-33 front right white | Autocollant STOLL FZ 48-33 devant droite blanc | - | - | - | - | - | - | - | - | - | - | - | - | - | - | - | - | - | - | - | - | - | - | - | - | - | - | - | - | - | - | - | - | - | - | - | - | - | - | - | - | - | - | - | - | - | 1 | - | - | - | - | - | - | - | | |
| 2 | 3774410 | Aufkleber STOLL FZ 48-37 vorn rechts rot | Decal STOLL FZ 48-37 front right red | Autocollant STOLL FZ 48-42 devant droite rouge | - | - | - | - | - | - | - | - | - | - | - | - | - | - | - | - | - | - | - | - | - | - | - | - | - | - | - | - | - | - | - | - | - | - | - | - | - | - | - | - | - | - | - | - | - | - | - | 1 | - | - | - | - | - | - | - |

DE Aufkleber allgemein
EN Decals generally
FR Autocollants généraux



E04F

DE Aufkleber allgemein
EN Decals generally
FR Autocollants généraux



E04F

| Pos. | Bestell-Nr. | Benennung | Description | Désignation | FZ 36-20 | FZ 36-20.1 | FS 36-24 | FS 36-24.1 | FZ 36-24 | FZ 36-24.1 | FZ 39-23 | FZ 39-23.1 | FS 39-27 | FS 39-27.1 | FZ 39-27 | FZ 39-27.1 | FS 39-31 | FS 39-31.1 | FZ 39-31 | FZ 39-31.1 | FZ 41-25 | FZ 41-25.1 | FZ 41-29 | FZ 41-29.1 | FS 41-33 | FS 41-33.1 | FZ 41-33 | FZ 41-33.1 | FZ 43-27 | FZ 43-27.1 | FZ 43-30 | FZ 43-30.1 | FS 43-34 | FS 43-34.1 | FZ 43-34 | FZ 43-34.1 | FZ 46-26.1 | FZ 46-29.1 | FZ 46-33.1 | FZ 46-33.1 | FZ 48-37.1 | FZ 48-37.1 | FZ 48-42.1 | | | | | | | |
|------|-------------|--------------------------------|--------------------------|-------------------------------------|----------|------------|----------|------------|----------|------------|----------|------------|----------|------------|----------|------------|----------|------------|----------|------------|----------|------------|----------|------------|----------|------------|----------|------------|----------|------------|----------|------------|----------|------------|----------|------------|------------|------------|------------|------------|------------|------------|------------|---|---|---|---|---|---|---|
| 3 | 3748900 | Aufkleber S hinten links weiß | Decal S rear left white | Autocollant S derrière gauche blanc | - | - | - | - | - | - | - | - | - | - | - | - | - | - | - | - | - | - | - | - | - | - | - | - | - | - | - | - | - | - | - | - | - | - | - | - | - | - | - | - | - | - | - | - | | |
| 4 | 3748130 | Aufkleber S hinten rechts rot | Decal S rear right red | Autocollant S derrière droite rouge | 1 | 1 | - | - | 1 | 1 | - | - | - | - | - | - | - | - | - | - | - | - | - | - | - | - | - | - | - | - | - | - | - | - | - | - | - | - | - | - | - | - | - | - | - | - | - | - | | |
| 4 | 3748550 | Aufkleber S hinten rechts weiß | Decal S rear right white | Autocollant S derrière droite blanc | 1 | 1 | - | - | 1 | 1 | - | - | - | - | - | - | - | - | - | - | - | - | - | - | - | - | - | - | - | - | - | - | - | - | - | - | - | - | - | - | - | - | - | - | - | - | - | - | | |
| 4 | 3748170 | Aufkleber S hinten rechts rot | Decal S rear right red | Autocollant S derrière droite rouge | - | - | 1 | 1 | - | - | - | - | - | - | - | - | - | - | - | - | - | - | - | - | - | - | - | - | - | - | - | - | - | - | - | - | - | - | - | - | - | - | - | - | - | - | - | - | | |
| 4 | 3748590 | Aufkleber S hinten rechts weiß | Decal S rear right white | Autocollant S derrière droite blanc | - | - | 1 | 1 | - | - | - | - | - | - | - | - | - | - | - | - | - | - | - | - | - | - | - | - | - | - | - | - | - | - | - | - | - | - | - | - | - | - | - | - | - | - | - | - | | |
| 4 | 3748210 | Aufkleber S hinten rechts rot | Decal S rear right red | Autocollant S derrière droite rouge | - | - | - | - | - | - | 1 | 1 | - | - | 1 | 1 | - | - | - | - | - | - | - | - | - | - | - | - | - | - | - | - | - | - | - | - | - | - | - | - | - | - | - | - | - | - | - | - | | |
| 4 | 3748630 | Aufkleber S hinten rechts weiß | Decal S rear right white | Autocollant S derrière droite blanc | - | - | - | - | - | - | 1 | 1 | - | - | 1 | 1 | - | - | - | - | - | - | - | - | - | - | - | - | - | - | - | - | - | - | - | - | - | - | - | - | - | - | - | - | - | - | - | - | | |
| 4 | 3748250 | Aufkleber S hinten rechts rot | Decal S rear right red | Autocollant S derrière droite rouge | - | - | - | - | - | - | - | - | 1 | 1 | - | - | 1 | 1 | - | - | - | - | - | - | - | - | - | - | - | - | - | - | - | - | - | - | - | - | - | - | - | - | - | - | - | - | - | - | - | |
| 4 | 3748670 | Aufkleber S hinten rechts weiß | Decal S rear right white | Autocollant S derrière droite blanc | - | - | - | - | - | - | - | - | 1 | 1 | - | - | 1 | 1 | - | - | - | - | - | - | - | - | - | - | - | - | - | - | - | - | - | - | - | - | - | - | - | - | - | - | - | - | - | - | - | |
| 4 | 3748290 | Aufkleber S hinten rechts rot | Decal S rear right red | Autocollant S derrière droite rouge | - | - | - | - | - | - | - | - | - | - | - | - | - | - | - | - | - | 1 | 1 | 1 | 1 | - | - | 1 | 1 | - | - | - | - | - | - | - | - | - | - | - | - | - | - | - | - | - | - | - | - | |
| 4 | 3748710 | Aufkleber S hinten rechts weiß | Decal S rear right white | Autocollant S derrière droite blanc | - | - | - | - | - | - | - | - | - | - | - | - | - | - | - | - | - | 1 | 1 | 1 | 1 | - | - | 1 | 1 | - | - | - | - | - | - | - | - | - | - | - | - | - | - | - | - | - | - | - | - | |
| 4 | 3748330 | Aufkleber S hinten rechts rot | Decal S rear right red | Autocollant S derrière droite rouge | - | - | - | - | - | - | - | - | - | - | - | - | - | - | - | - | - | - | - | - | - | - | - | - | - | - | - | - | - | - | - | - | - | - | - | - | - | - | - | - | - | - | - | - | - | |
| 4 | 3748750 | Aufkleber S hinten rechts weiß | Decal S rear right white | Autocollant S derrière droite blanc | - | - | - | - | - | - | - | - | - | - | - | - | - | - | - | - | - | - | - | - | - | - | - | - | - | - | - | - | - | - | - | - | - | - | - | - | - | - | - | - | - | - | - | - | - | |
| 4 | 3748370 | Aufkleber S hinten rechts rot | Decal S rear right red | Autocollant S derrière droite rouge | - | - | - | - | - | - | - | - | - | - | - | - | - | - | - | - | - | - | - | - | - | - | - | - | - | - | - | - | - | - | - | - | - | - | - | - | - | - | - | - | - | - | - | - | - | |
| 4 | 3748790 | Aufkleber S hinten rechts weiß | Decal S rear right white | Autocollant S derrière droite blanc | - | - | - | - | - | - | - | - | - | - | - | - | - | - | - | - | - | - | - | - | - | - | - | - | - | - | - | - | - | - | - | - | - | - | - | - | - | - | - | - | - | - | - | - | - | |
| 4 | 3748410 | Aufkleber S hinten rechts rot | Decal S rear right red | Autocollant S derrière droite rouge | - | - | - | - | - | - | - | - | - | - | - | - | - | - | - | - | - | - | - | - | - | - | - | - | - | - | - | - | - | - | - | - | - | - | - | - | - | - | - | - | - | - | - | - | - | |
| 4 | 3748830 | Aufkleber S hinten rechts weiß | Decal S rear right white | Autocollant S derrière droite blanc | - | - | - | - | - | - | - | - | - | - | - | - | - | - | - | - | - | - | - | - | - | - | - | - | - | - | - | - | - | - | - | - | - | - | - | - | - | - | - | - | - | - | - | - | - | |
| 4 | 3748450 | Aufkleber S hinten rechts rot | Decal S rear right red | Autocollant S derrière droite rouge | - | - | - | - | - | - | - | - | - | - | - | - | - | - | - | - | - | - | - | - | - | - | - | - | - | - | - | - | - | - | - | - | - | - | - | - | - | - | - | - | - | - | - | - | - | |
| 4 | 3748870 | Aufkleber S hinten rechts weiß | Decal S rear right white | Autocollant S derrière droite blanc | - | - | - | - | - | - | - | - | - | - | - | - | - | - | - | - | - | - | - | - | - | - | - | - | - | - | - | - | - | - | - | - | - | - | - | - | - | - | - | - | - | - | - | - | - | |
| 4 | 3748490 | Aufkleber S hinten rechts rot | Decal S rear right red | Autocollant S derrière droite rouge | - | - | - | - | - | - | - | - | - | - | - | - | - | - | - | - | - | - | - | - | - | - | - | - | - | - | - | - | - | - | - | - | - | - | - | - | - | - | - | - | - | - | - | - | - | |
| 4 | 3748910 | Aufkleber S hinten rechts weiß | Decal S rear right white | Autocollant S derrière droite blanc | - | - | - | - | - | - | - | - | - | - | - | - | - | - | - | - | - | - | - | - | - | - | - | - | - | - | - | - | - | - | - | - | - | - | - | - | - | - | - | - | - | - | - | - | - | |
| 5 | 3749320 | Aufkleber S rot | Decal S red | Autocollant S rouge | 1 | 1 | 1 | 1 | 1 | 1 | 1 | 1 | 1 | 1 | 1 | 1 | 1 | 1 | 1 | 1 | 1 | 1 | 1 | 1 | 1 | 1 | 1 | 1 | 1 | 1 | 1 | 1 | 1 | 1 | 1 | 1 | 1 | 1 | 1 | 1 | 1 | 1 | 1 | 1 | 1 | 1 | 1 | 1 | 1 | 1 |
| 5 | 3749330 | Aufkleber S weiß | Decal S white | Autocollant S blanc | 1 | 1 | 1 | 1 | 1 | 1 | 1 | 1 | 1 | 1 | 1 | 1 | 1 | 1 | 1 | 1 | 1 | 1 | 1 | 1 | 1 | 1 | 1 | 1 | 1 | 1 | 1 | 1 | 1 | 1 | 1 | 1 | 1 | 1 | 1 | 1 | 1 | 1 | 1 | 1 | 1 | 1 | 1 | 1 | 1 | 1 |

Anzugsmomente für Schrauben / Tightening torques for screws / Couples de serrage pour les vis

| Gewinde / Thread / Filetage | Festigkeitsklasse / Strength category / Classe de résistance | | | | | |
|-----------------------------|--|-------|------|-------|-------|-------|
| | 8.8 | | 10.9 | | 12.09 | |
| | Nm | lb-ft | Nm | lb-ft | Nm | lb-ft |
| M8 | 27 | 20 | 36 | 27 | 42 | 31 |
| M8x1 | 29 | 21 | 38 | 28 | 45 | 33 |
| M10 | 54 | 40 | 71 | 52 | 83 | 61 |
| M10x1,25 | 57 | 42 | 75 | 55 | 87 | 64 |
| M12 | 93 | 69 | 123 | 91 | 144 | 106 |
| M12x1,5 | 97 | 72 | 128 | 94 | 150 | 111 |
| M12x1,25 | 101 | 74 | 133 | 98 | 155 | 114 |
| M14 | 148 | 109 | 195 | 144 | 229 | 169 |
| M14x1,5 | 159 | 117 | 209 | 154 | 244 | 180 |
| M16 | 230 | 170 | 302 | 223 | 354 | 261 |
| M16x1,5 | 244 | 180 | 320 | 236 | 374 | 276 |
| M18 | 329 | 243 | 421 | 311 | 492 | 363 |
| M18x2 | 348 | 257 | 443 | 327 | 519 | 383 |
| M18x1,5 | 368 | 271 | 465 | 343 | 544 | 401 |
| M20 | 464 | 342 | 592 | 437 | 692 | 510 |
| M20x2 | 488 | 360 | 619 | 457 | 724 | 534 |
| M20x1,5 | 511 | 377 | 646 | 476 | 756 | 558 |
| M22 | 634 | 468 | 807 | 595 | 945 | 697 |
| M22x2 | 663 | 489 | 840 | 620 | 984 | 726 |
| M22x1,5 | 692 | 510 | 873 | 644 | 1022 | 754 |
| M24 | 798 | 589 | 1017 | 750 | 1190 | 878 |
| M24x2 | 865 | 638 | 1095 | 808 | 1282 | 946 |
| M27 | 1176 | 867 | 1496 | 1103 | 1750 | 1291 |
| M27x2 | 1262 | 931 | 1594 | 1176 | 1866 | 1376 |
| M30 | 1597 | 1178 | 2033 | 1499 | 2380 | 1755 |
| M30x2 | 1756 | 1295 | 2216 | 1634 | 2594 | 1913 |
| 5/8" UNC (normal) | 230 | 170 | 302 | 223 | | |
| 5/8" UNF (fein) | 244 | 180 | 320 | 236 | | |
| 3/4" UNC (normal) | 464 | 342 | 592 | 437 | | |
| 3/4" UNF (fein) | 511 | 377 | 646 | 476 | | |



Auf die Sauberkeit der Gewinde achten! Die angegebenen Anzugsmomente gelten für saubere, trockene und fettfreie Schrauben und Gewinde.



Make sure that the thread is clean! The specified tightening torques are valid for screws and threads that are clean, dry and free of grease.



Veillez à la propreté des filetages ! Les couples de serrage indiqués ici s'appliquent à des vis et des filetages propres, secs et sans graisse.

Wilhelm STOLL
Maschinenfabrik GmbH
Bahnhofstr. 21 D-38268 Lengede

Ersatzteilbestellung / Spare parts order / Commande des pièces:

Tel.: +49 (0) 53 44 / 20 444

Fax: +49 (0) 53 44 / 20 183

E-mail: ea@stoll-germany.com

Öffnungszeiten / business hours / heures d'ouverture:

Mo - Do / Mon - Thu / Lu - Je: 8:00 - 11:45 + 12:15 - 17:00

Fr / Fri / Ve: 8:00 - 11:45 + 12:15 - 16:00

Weitere Kontakte / further contacts / autres contacts:

Tel. Kundendienst / service / service: +49 (0) 5344 / 20 111

Fax Kundendienst / service / service: +49 (0) 5344 / 20 137

E-mail Kundendienst / service / service: service@stoll-germany.com

Fax Vertrieb / sales / vente: +49 (0) 5344 / 20 49182

E-mail Vertrieb / sales / vente: verkauf@stoll-germany.com

E-Mail allgemein / general / général: info@stoll-germany.com