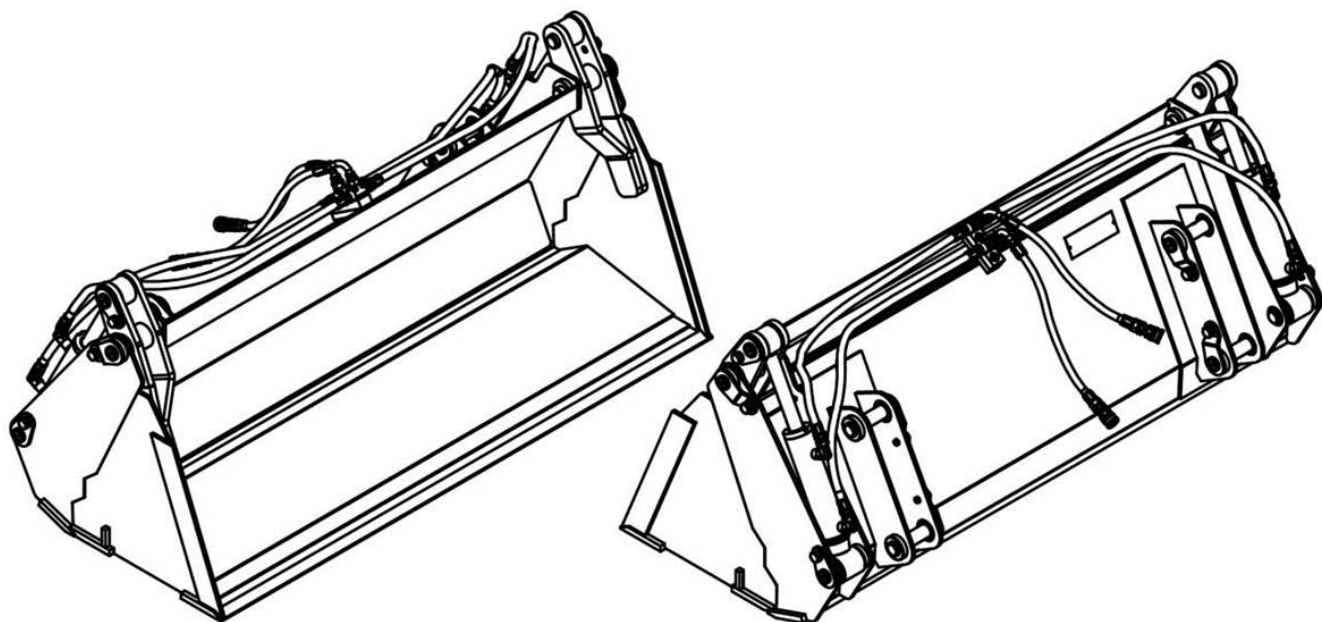


# Operating Instructions

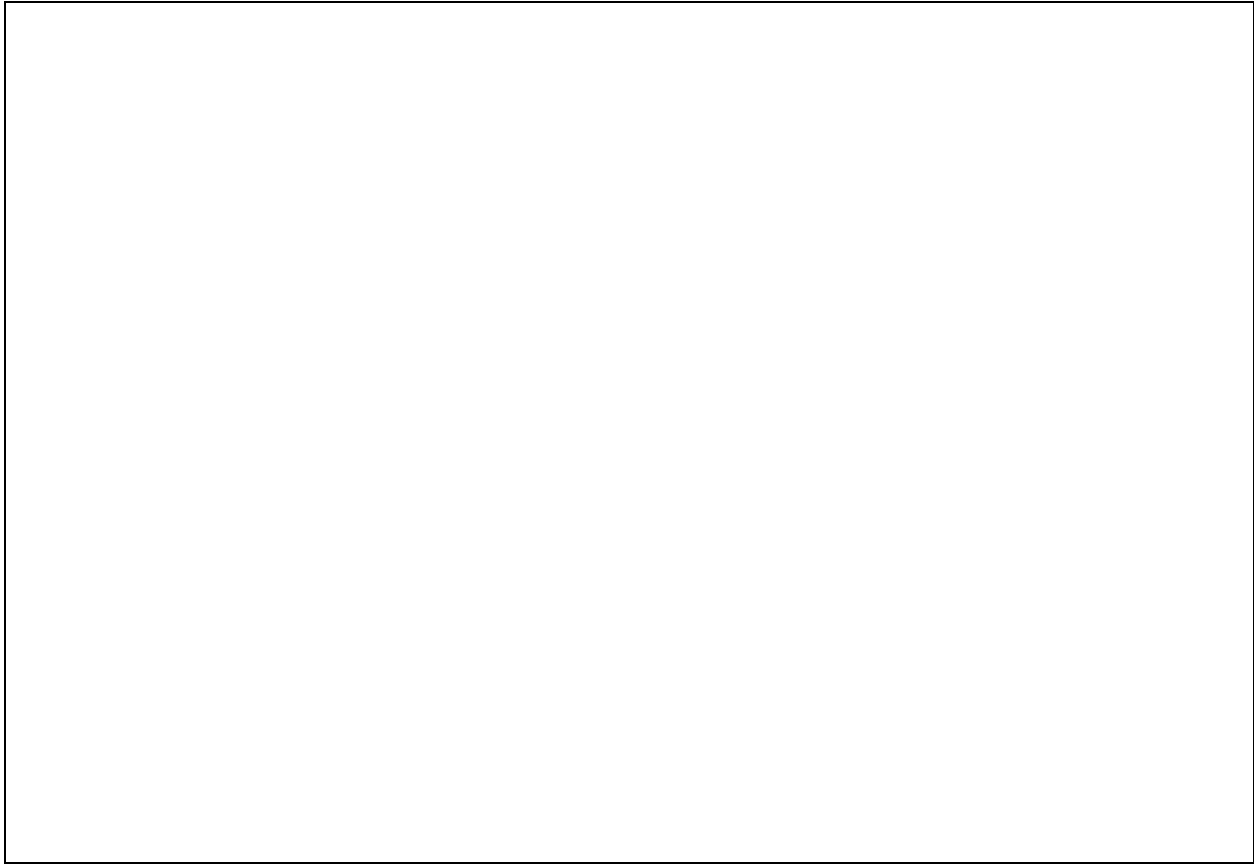
Ι Α& ΑΦΑΩΩΩΩΩ



Η ί ί γ € ί ί ύ ύ έ έ ό ό ύ ύ έ έ ό ό ί ί φ φ



**STOLL**  
The Loader Specialist.



# CONGRATULATIONS!

You have invested in the best implement of its type on the market today.

The care you give your ANSUNG implement will greatly determine your satisfaction with its performance and its service life. We urge a careful study of this manual to provide you with a thorough understanding of your new implement before operating, as well as suggestions for operation and maintenance.

As an authorized ANSUNG dealer, we stock genuine ANSUNG parts which are manufactured with the same precision and skill as our original equipment. Our trained service personnel are well informed on methods required to service ANSUNG equipment, and are ready and able to help you.

Should you require additional information or assistance, please contact us.

YOUR AUTHORIZED  
ANSUNG DEALER

**ANSUNG reserves the rights to change the specifications. The models and specifications described here can be subjected to modifications for improvements without any prior notice by the manufacturer.**

# Operator's Manual

## TABLE OF CONTENTS

SECTION	PAGE
Warranty .....	4
Dealer Preparation Check List .....	7
Safety Precautions.....	8
I. LOADER SPECIFICATIONS .....	11
II. INTRODUCTION & DESCRIPTION .....	12
2-1 Introduction .....	12
2-2 Description .....	12
III. PREPARATION FOR USE .....	14
3-1 Attaching to Tractor .....	14
3-2 Torque specifications.....	20
IV. OPERATING INSTRUCTIONS .....	22
4-1 General Safety .....	22
4-2 Operation .....	22
V. MAINTENANCE .....	26
5-1 Maintenance Check list.....	26
5-2 Lubrication .....	28
5-3 Troubleshooting .....	29
Part List 4 in 1 Bucket BF Series.....	30
Part List 4 in 1 Bucket FIO Series.....	32
Part List Cylinder BF Series.....	34
Part List Cylinder FIO Series.....	36

## **RETAIL CUSTOMER'S RESPONSIBILITY UNDER THE ANSUNG WARRANTY**

**It is the Retail Customer and/or Operator's responsibility to read the Operator's Manual, to operate, lubricate, maintain, and store the product in accordance with all instructions and safety procedures. Failure of the operator to read the Operator's Manual is a misuse of this equipment.**

**It is the Retail Customer and/or Operator's responsibility to inspect the product and to have any part(s) repaired or replaced when continued operation would cause damage or excessive wear to other parts or cause a safety hazard.**

**It is the Retail Customer's responsibility to deliver the product to the authorized ANSUNG dealer from whom he purchased it, for service or replacement of defective parts which are covered by warranty. Repairs to be submitted for warranty consideration must be made within forty-five (45) days of failure.**

**It is the Retail Customer's responsibility for any cost incurred by the Dealer for travelling to or hauling of the product for the purpose of performing a warranty obligation or inspection.**

## **UNDERSTAND SIGNAL WORDS**

**DANGER:** Indicates an imminently hazardous situation which, if not avoided, death or serious injury. This signal word is to be limited to the most extreme situations.

**WARNING:** Indicates a potentially hazardous situation which, if not avoided, could result in death or serious injury.

**CAUTION:** Indicates a potentially situation which, if not avoided, will result in may result in minor or moderate injury. It may also be used to alert against unsafe practices.

## LIMITED WARRANTY

☆☆

ANSUNG warrants to the original purchaser of any new ANSUNG equipment, purchased from an authorized ANSUNG dealer, that the equipment be free from defects in material and workmanship for a period of one (1) year for non-commercial, state, and municipalities' use and ninety (90) days for commercial use from date of retail sale. The obligation of ANSUNG to the purchaser under this warranty is limited to the repair or replacement of defective parts.

Replacement or repair parts installed in the equipment covered by this limited warranty are warranted for ninety (90) days from the date of purchase of such part or to the expiration of the applicable new equipment warranty period, whichever occurs later. Warranted parts shall be provided at no cost to the user at an authorized ANSUNG dealer during regular working hours. ANSUNG reserves the right to inspect any equipment or parts which are claimed to have been defective in material or workmanship.

### DISCLAIMER OF IMPLIED WARRANTIES & CONSEQUENTIAL DAMAGES

ANSUNG's obligation under this limited warranty, to the extent allowed by law, is in lieu of all warranties, implied or expressed. **INCLUDING IMPLIED WARRANTIES OF MERCHANTABILITY AND FITNESS FOR A PARTICULAR PURPOSE** and any liability for incidental and consequential damages with respect to the sale or use of the items warranted. Such incidental and consequential damages shall include but not be limited to: transportation charges other than normal freight charges; cost of installation other than cost approved by ANSUNG; duty; taxes; charges for normal service or adjustment; loss of crops or any other loss of income; rental of substitute equipment, expenses due to loss, damage, detention or delay in the delivery of equipment or parts resulting from acts beyond the control of ANSUNG.

**THIS LIMITED WARRANTY SHALL NOT APPLY:**

1. To vendor items which carry their own warranties, such as engines, tires, and tubes.
2. If the unit has been subjected to misapplication, abuse, misuse, negligence, fire or other accident.
3. If parts not made or supplied by ANSUNG have been used in connection with the unit, if, in the sole judgement of ANSUNG such use affects its performance, stability or reliability.
4. If the unit has been altered or repaired outside of an authorized ANSUNG dealership in a manner which, in the sole judgement of ANSUNG, affects its performance, stability or reliability.
5. To normal maintenance service and normal replacement items such as gearbox lubricant, hydraulic fluid, worn blades, or to normal deterioration of such things as belts and exterior finish due to use or exposure.
6. To expendable or wear items such as teeth, chains, sprockets, belts, springs and any other items that in the company's sole judgement is a wear item.

**NO EMPLOYEE OR REPRESENTATIVE OF ANSUNG IS AUTHORIZED TO CHANGE THIS LIMITED WARRANTY IN ANY WAY OR GRANT ANY OTHER WARRANTY UNLESS SUCH CHANGE IS MADE IN WRITING AND SIGNED BY ANSUNG'S SERVICE MANAGER, SEOUL, KOREA**

☆☆

Record the model number, serial number and date purchased. This information will be helpful to your dealer if parts or service are required.

MODEL NUMBER \_\_\_\_\_

MAKE CERTAIN THE WARRANTY REGISTRATION CARD HAS BEEN FILED WITH ANSUNG/ SEOUL, KOREA

SERIAL NUMBER \_\_\_\_\_

DATE OF RETAIL SALE \_\_\_\_\_

## DEALER PREPARATION CHECK LIST

BEFORE DELIVERING MACHINE - The following check list should be completed.  
Use the Operator's Manual as a guide.

- Machine properly assembled.
- All safety decals readable (See decal page).
- All bolts tightened to torque specifications given in torque chart.
- Machine operates properly.
- Customer has appropriate mounting kit for his tractor and loader.
- Operators manual has been delivered to owner and he has been instructed on the safe and proper use of the front end loader.



CAUTION



**It is recommended that the tractor be equipped with Rollover Protection System (ROPS) and seat belt be used for all loader operations.**



WARNING



To avoid serious injury or death, do not handle large heavy objects (large round bales, machinery, etc.) with this loader.

It is the responsibility of the dealer to complete the procedures listed above before delivery of this implement to the customer.

Dealer's Signature \_\_\_\_\_

THIS CHECKLIST TO REMAIN IN OWNER'S MANUAL

It is responsibility of the dealer to complete the procedures listed above before of this implement to the customer



## IMPORTANT SAFETY PRECAUTIONS

**This symbol is used to call attention to safety precautions that should be followed by the operator to avoid accidents. When you see this symbol, carefully read the message that follows and heed its advice. Failure to comply with safety precautions could result in serious bodily injury.**



In addition to the design and configuration of equipment, hazard control and accident prevention are dependent upon the awareness, concern, prudence and proper training of personnel in the operation, transport, maintenance and storage of equipment. Lack of attention to safety can result in accident, personal injury, reduction of efficiency and worst of all—loss of life. Watch for safety hazards and correct deficiencies promptly. Use the following safety precautions as a general guide to safe operations when using this machine. Additional safety precautions are used throughout this manual for specific operating and maintenance procedures. Read this manual and review the safety precautions often until you know the limitations.

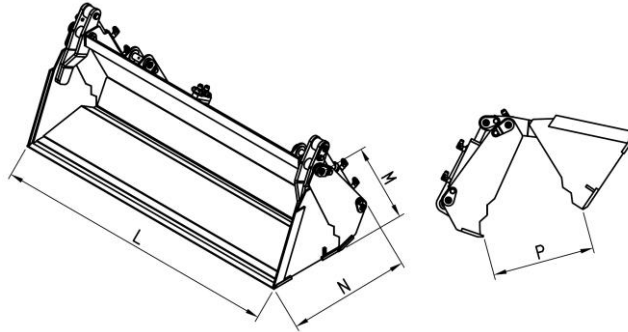
## **THE TRACTOR**

1. Read the tractor operator's manual to learn how to operate your tractor safely. Failure to do so could result in serious injury or death and equipment damage.
2. It is recommended that tractor be equipped with Rollover Protective System (ROPS) and a seat belt be used for all loader operations.
3. When operating loader directly off tractor remotes always remove or lockout detent on tractor's hydraulic valves.  
This allows levers return to neutral position when released.
4. Add wheel ballast or rear weight for stability.
5. Move wheels to the tractor manufacturer's widest recommended settings to increase stability.
6. For better stability, use tractor with wide front axle.
7. Move and turn the tractor at low speeds.
8. Stop tractor engine, place transmission in park (or neutral), engage parking brake, lower loader arms to ground, cycle all hydraulic controls to relieve pressure, allow machine moving parts to stop, remove ignition key to prevent unauthorized person from starting engine before dismounting tractor or servicing, repairing, or making adjustments to the equipment.
9. Wear personal protective equipment (PPE), such as, but not limited to, protection for eyes, ears, lungs, head, hands and feet when operating, servicing, or repairing equipment. Avoid wearing loose clothing or jewelry that may catch and entangle on equipment moving parts.

## **THE 4 in 1 BUCKET**

1. Read the 4 in 1 bucket operator's manual to learn how to operate your loader safely. Failure to do so could result in serious injury or death and equipment damage.
2. Become familiar with all the machine's controls and all the caution, warning and danger decals affixed to the machine before attempting to start or operate.
3. Improper use of a 4 in 1 bucket can cause serious injury or death.
4. Do not lift or carry anybody on the loader or in the 4 in 1 bucket or attachment.
5. Never allow anyone to get under the loader bucket or reach through the booms when the bucket is raised.
6. Do not walk or work under a raised loader bucket or attachment unless it is securely blocked or held in position.
7. Avoid overhead wires and obstacles when loader is raised. Contacting electrical lines can cause electrocution.
8. Make sure all parked loaders on stands are on a hard, level surface.
9. Use a piece of cardboard or wood rather than hands and wear eye protection when searching for hydraulic leaks.
10. Escaping hydraulic oil under pressure can penetrate skin. If oil is injected into skin, it must be surgically removed within a few hours by a doctor or gangrene may result.
12. Before disconnecting hydraulic lines, relieve all hydraulic pressure.
12. Always wear safety goggles when repairing or servicing machine.
13. When servicing or replacing pins in cylinder ends, buckets, etc., always use a brass punch and hammer. Failure to do so could result in injury from flying fragments.
14. Replace damaged or illegible safety decals. See decal page for required decals.
15. Do not modify or alter or permit anyone else to modify or alter the 4 in 1 bucket, any of its components or any 4 in 1 bucket function without first consulting your local dealer.

## SECTION I SPECIFICATIONS



Model		BFOA	BFOD	BFOE	FION	FIOL	FIOM
Bucket	Width (L)	1400	1400	1570	1700	1880	2100
	Depth(N)	550	550	550	606	606	606
	Height(M)	449	449	449	650	650	650
	Max open(P)	410	410	410	860	860	860
	Volume (m <sup>3</sup> ) Heaped	0.19m <sup>3</sup>	0.19m <sup>3</sup>	0.22m <sup>3</sup>	0.60m <sup>3</sup>	0.67m <sup>3</sup>	0.77m <sup>3</sup>
Cylinder	Bore (Ø)	Ø40	Ø40	Ø40	Ø75	Ø75	Ø75
	Rod (Ø)	Ø25	Ø25	Ø25	Ø40	Ø40	Ø40
	Stroke	90	90	90	210	210	210
	Min. Length	340	340	340	450	450	450
Weight (kg)		133kg	145kg	160kg	350kg	400kg	433kg
Matching		PIN ON	Skid steer	Skid steer	Euro hitch	Euro hitch	Euro hitch

## **SECTION II INTRODUCTION AND DESCRIPTION**

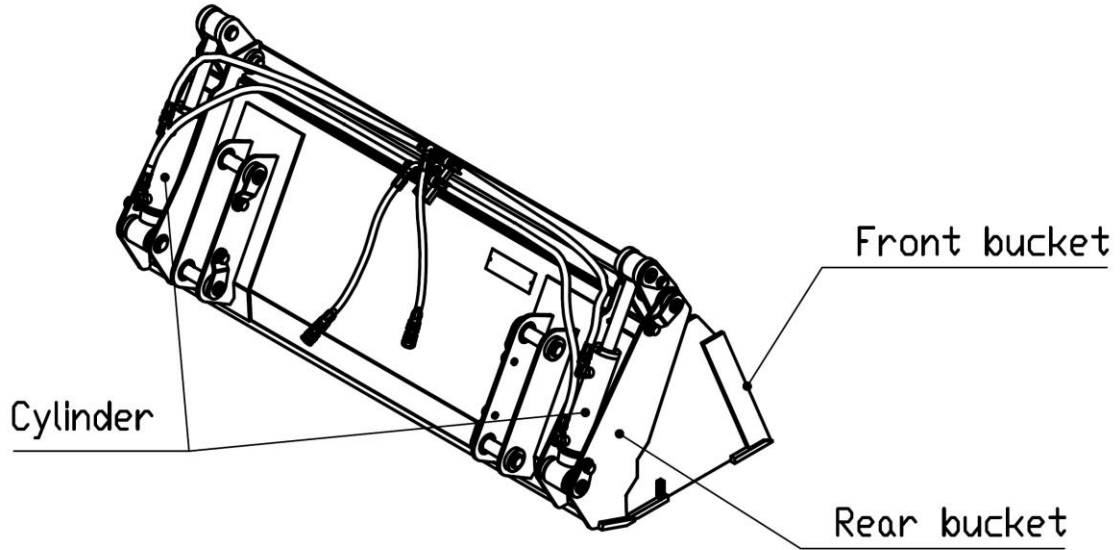
### **2-1 INTRODUCTION**

We are pleased to have you as a ANSUNG customer. Your Front end Loader has been carefully designed to give maximum service with minimum down time. This manual is provided to give you the necessary operating and maintenance instructions for keeping your loader in top operating condition. Please read this manual thoroughly. Understand what each control is for and how to use it. Observe all safety precautions decaled on the machine and noted throughout the manual for safe operation of implement. If any assistance or additional information is needed, contact your authorized ANSUNG dealer.

### **2-2 DESCRIPTION**

The 4 in 1 BUCKET is designed for four purpose functions. They are intended to bulldozing, clam, scraping and grab the loose materials, wood and hay that will fit in the bucket. Cylinders are double-acting and control by 3<sup>rd</sup> function valve with electronic switch and control lever of Front end loader. Major components of 4 in 1 Bucket are shown in Figure 2-1.

Figure 2-1 Major Component



## SECTION III PREPARATION FOR USE

### 3-1 ATTACHING TO FRONT END LOADER



**WEIGHT SHOULD BE APPLIED TO TRACTOR REAR WHEELS AND/OR 3-POINT HITCH TO INCREASE STABILITY.**



**TO AVOID INJURY OR DEATH:**

**ALWAYS CONNECT LOADER HOSES TO APPROPRIATE TRACTOR AUXILIARY OUTLET. ALWAYS REMOVE OR LOCKOUT TRACTOR'S HYDRAULIC VALVES DETENT POSITIONS FOR LEVER NEUTRAL RETURN WHEN RELEASED.**

It is recommended that tractor wheels be moved to the widest setting and rear ballast be applied to increase tractor stability. Three point hitch mounted weights are available from your dealer. Air pressure in front tires should be adequate for heavy loads. Refer to tractor owner's manual for further instructions. Attach 4 in 1 Bucket to Front end loader as follows:

**THE FOLLOWING SAFETY PRECAUTIONS SHOULD BE THOROUGHLY UNDERSTOOD BEFORE ATTEMPTING MACHINE ASSEMBLY.**

1. Do not lift heavy parts or assemblies. Use crane, jack, tackle, fork trucks, or other mechanical devices.
2. Select an area for assembly that is clean and free of any debris which might cause persons working on the assembly to trip.
3. Arrange parts to be assembled neatly in the work area and have tools and other mechanical assisting devices in easy reach.
4. Inspect all parts and assemblies thoroughly and remove any sharp edges, grease, oil, or dirt which might cause pieces to slip when handling.

5. Preview the assembly instructions in your operator's manual before proceeding further.
6. If the assembly instructions call for parts or assemblies to be blocked up, use only blocking material that is in good condition and is capable of handling the weight of the assembly to be blocked. Also, insure that the blocking material is on a clean, dry surface.
7. Never put hands or any other body under blocked up assemblies if at all possible.
8. Always wear goggles or safety glasses when hammering, grinding or drilling metal parts.
9. If the assembly calls for welding or cutting, be sure that there are no flammable materials close at hand and that bystanders have taken necessary precautions.

**AFTER COMPLETING ANY ASSEMBLY STEP, THOROUGHLY READ THE NEXT STEP IN THE ASSEMBLY INSTRUCTIONS BEFORE PROCEEDING WITH THAT STEP.**

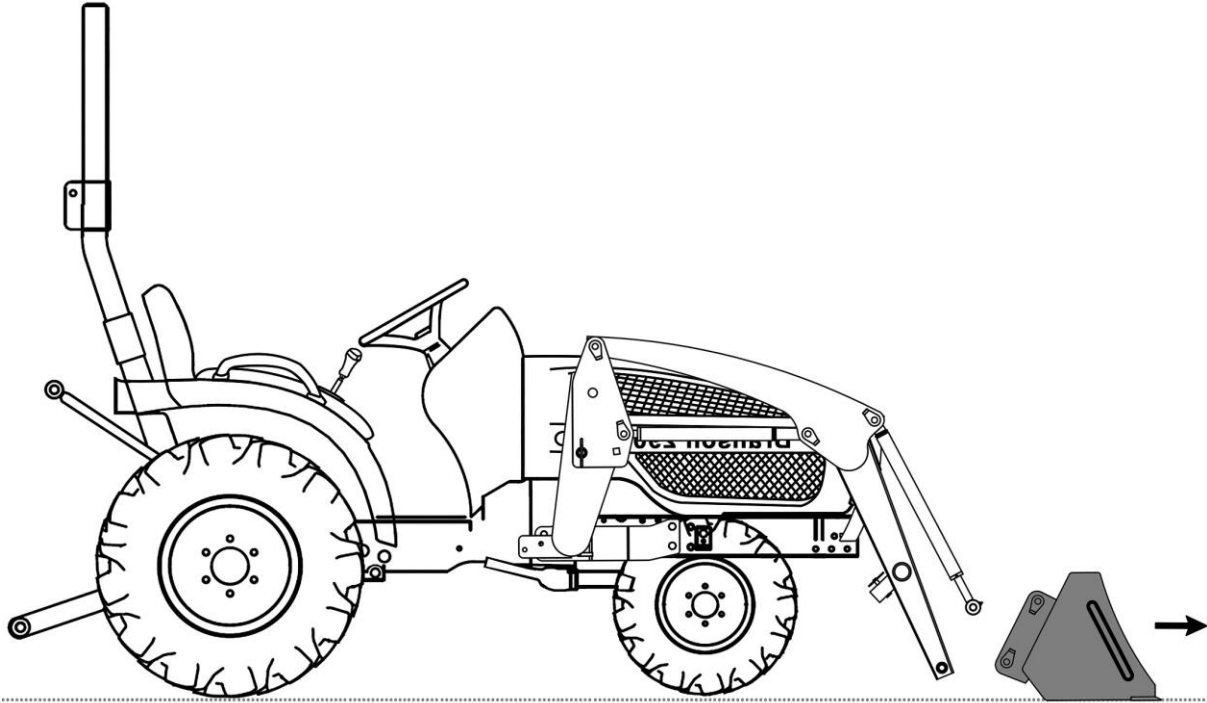
10. After completing assembly, thoroughly inspect the machine to be sure that all nuts, bolts, hydraulic fittings or any other fastened assemblies have been thoroughly tightened.
11. After completing assembly be sure that all safety locking devices or guards are in place.
12. Before operating the machine, thoroughly read the operation section of this manual.
13. Before operating, read the maintenance section of this manual to be sure that any parts requiring lubrication such as pins are full to avoid any possible damage.
14. Wear personal protective equipment such as, but not limited to, protection for eyes, ears, feet, hands, lungs and head when assembling the equipment. Do not wear loose clothing or jewelry that may catch on equipment moving parts.

**BEFORE OPERATING THE EQUIPMENT, IF YOU HAVE ANY QUESTIONS REGARDING THE PROPER ASSEMBLY OR OPERATION, CONTACT YOUR AUTHORIZED ANSUNG DEALER OR REPRESENTATIVE.**



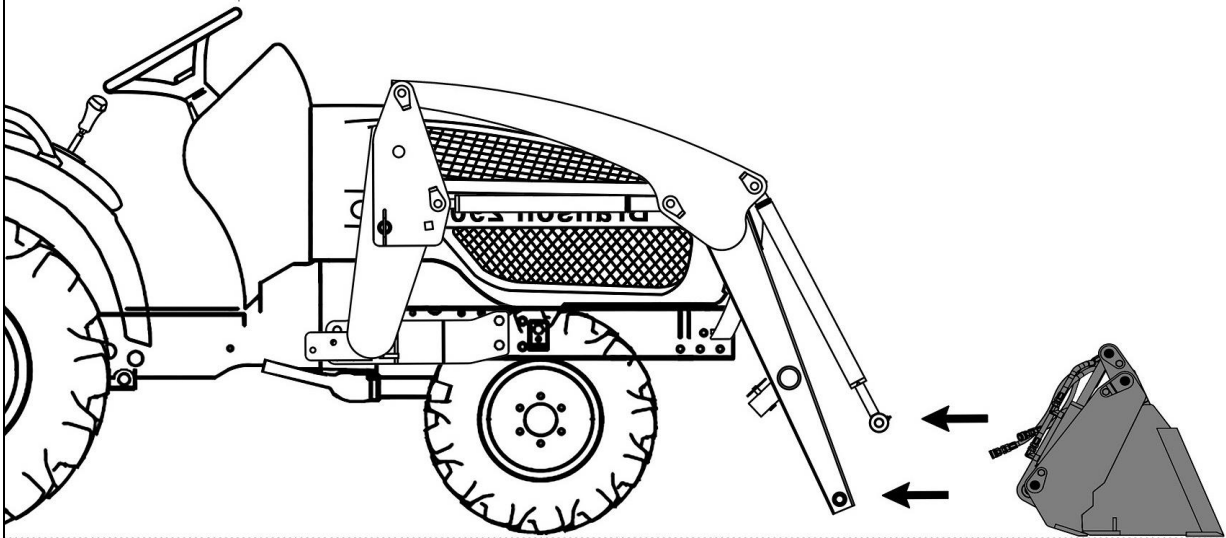
## Step 1: Prepare the 4 In 1 Bucket (put in front of the Loader)

- A. If you have a bucket on Front end loader remove it.  
If not, prepare 4 in 1 bucket in front of Front end loader



## Step 2: Assemble 4 in 1 Bucket In to the Front end Loader

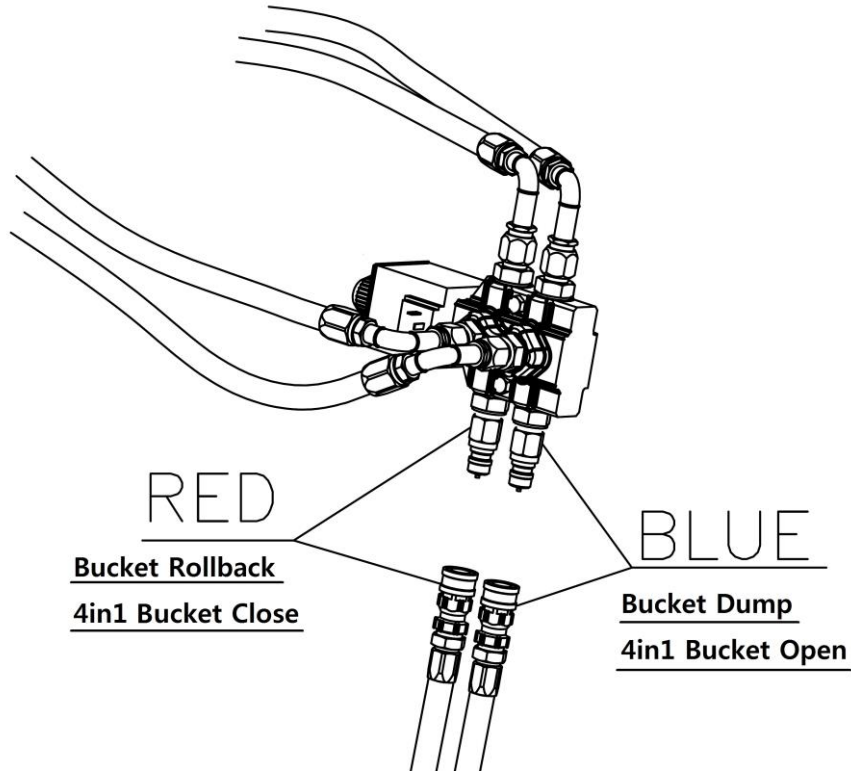
- A. Assemble 4 in 1 Bucket pivot point to Loader pivot point and Bucket cylinder or Bucket-rod to 4 in 1 Bucket. Tight all bolts on the pins.



**Important - All Bolts should be assembled with using adequate Torque in compliance with the Torque Specification Chart "Page 33".**

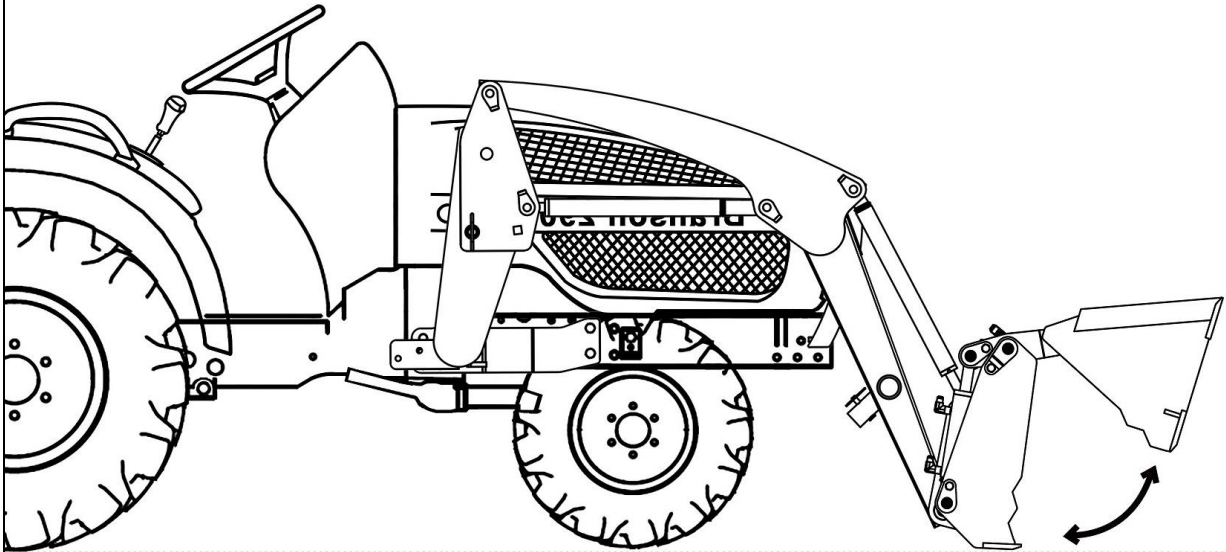
### Step 3: Connect the hydraulic hose

A. Connect the hydraulic quick coupler between 4 in 1 Bucket and 3<sup>rd</sup> function Valve.





#### **Step 4: Clear the air from inside of cylinder**

- A. After a few minutes warming up the engine by turning on the tractor. Operate full stroke of 4 in 1 Bucket cylinder to open and close 6 times.



### 3-2 TORQUE SPECIFICATIONS

Proper torque for American fasteners used on ANSUNG equipment.  
Recommended Torque in Foot Pounds (Newton Meter).\*

AMERICAN Bolt Head Markings	WRENCH SIZE(IN.) "A"	BOLT DIAMETER (IN.) "B" AND THREAD SIZE	SAE GRADE 2	SAE GRADE 5	SAE GRADE 8
 <p>SAE Grade 2 [No Dashes]</p>	7/16	1/4 - 20 UNC	6[7]	8[11]	12[16]
	7/16	1/4 - 28 UNF	6[8]	10[13]	14[18]
	1/2	5/16 - 18 UNC	11[15]	17[23]	25[33]
	1/2	5/16 - 24 UNF	13[17]	19[26]	27[37]
	9/16	3/8 - 16 UNC	20[27]	31[42]	44[60]
	9/16	3/8 - 24 UNF	23[31]	35[47]	49[66]
	5/8	7/16 - 14 UNC	32[43]	49[66]	70[95]
	5/8	7/16 - 20 UNF	36[49]	55[75]	78[106]
	3/4	1/2 - 13 UNC	49[66]	76[103]	106[144]
	3/4	1/2 - 20 UNF	55[75]	85[115]	120[163]
	7/8	9/16 - 12 UNC	70[95]	109[148]	153[207]
 <p>SAE Grade 5 [ 3 Dashes]</p>	7/8	9/16 - 18 UNF	79[107]	122[165]	172[233]
	15/16	5/8 - 11 UNC	97[131]	150[203]	212[287]
	15/16	5/8 - 18 UNF	110[149]	170[230]	240[325]
	1-1/8	3/4 - 10 UNC	144[195]	266[360]	376[509]
	1-1/8	3/4 - 16 UNF	192[260]	297[402]	420[569]
	1-5/16	7/8 - 9 UNC	166[225]	430[583]	606[821]
	1-5/16	7/8 - 14 UNF	184[249]	474[642]	668[905]
	1-1/2	1 - 8 UNC	250[339]	644[873]	909[1232]
	1-1/2	1 - 12 UNF	274[371]	705[955]	995[1348]
	1-1/2	1 - 14 UNF	280[379]	721[977]	1019[1381]

<p>Bolt Diameter 'B'</p> <p>Wrench Size 'A'</p> <p>SAE Grade 5 [ 6 Dashes]</p>	<b>WRENCH SIZE(IN.) "A"</b>	<b>BOLT DIAMETER (IN.) "B" AND THREAD SIZE</b>	<b>SAE GRADE 2</b>	<b>SAE GRADE 5</b>	<b>SAE GRADE 8</b>	
	1-11/16	1-1/8 - 7 UNC	354(480)	795(1077)	1288(1745)	
	1-11/16	1-1/8 - 12 UNF	397(538)	890(1206)	1444(1957)	
	1-7/8	1-1/4 - 7 UNC	500(478)	1120(1518)	1817(2462)	
	1-7/8	1-1/4 - 12 UNF	553(749)	1241(1682)	2013(2728)	
	2-1/16	1-3/8 - 6 UNC	655(887)	1470(1992)	2382(3228)	
	2-1/16	1-3/8 - 12 UNF	746(1011)	1672(2266)	2712(3675)	
	2-1/4	1-1/2 - 6 UNC	870(1179)	1950(2642)	3161(4283)	
2-1/4	1-1/2 - 12 UNF	979(1327)	2194(2973)	3557(4820)		
<b>Proper torque for American fasteners used on ANSUNG equipment. Recommended Torque in Foot Pounds (Newton Meter).*</b>						
<b>METRIC</b>	<b>WRENCH SIZE(mm.) "A"</b>	<b>BOLT DIAMETER (mm.) "B"</b>	<b>ASTM 4.6</b>	<b>ASTM 8.8</b>	<b>ASTM 9.8</b>	<b>ASTM 10.9</b>
<p>Bolt Diameter 'B'</p> <p>Wrench Size 'A'</p> <p>8.8</p> <p>Numbers appearing on bolt heads indicate ASTM class</p>	8	5	1.8(2.4)		5.1(6.9)	6.5(8.8)
	10	6	3(4)		8.7(12)	11.1(15)
	13	8	7.3(10)		21.1(29)	27(37)
	16	10	14.5(20)		42(57)	53(72)
	18	12	25(34)	74(100)	73(99)	93(126)
	21	14	40(54)	118(160)	116(157)	148(201)
	24	16	62(84)	167(226)	181(245)	230(312)
	30	20	122(165)	325(440)		449(608)
	33	22		443(600)		611(828)
	36	24	211(286)	563(763)		778(1054)
	41	27		821(1112)		1138(1542)
	46	30	418(566)	1119(1516)		1547(2096)
<b>Use 75% of the specified torque value for plated fasteners. Use 85% of the specified torque value for lubricated fasteners</b>						

## SECTION IV OPERATING INSTRUCTIONS



CAUTION



**DO NOT LIFT ROUND HAY BALES. ROUND BALES CAN ROLL DOWN LOADER ARMS CAUSING SERIOUS INJURY OR DEATH TO OPERATOR.**

### **4-1 GENERAL SAFETY**

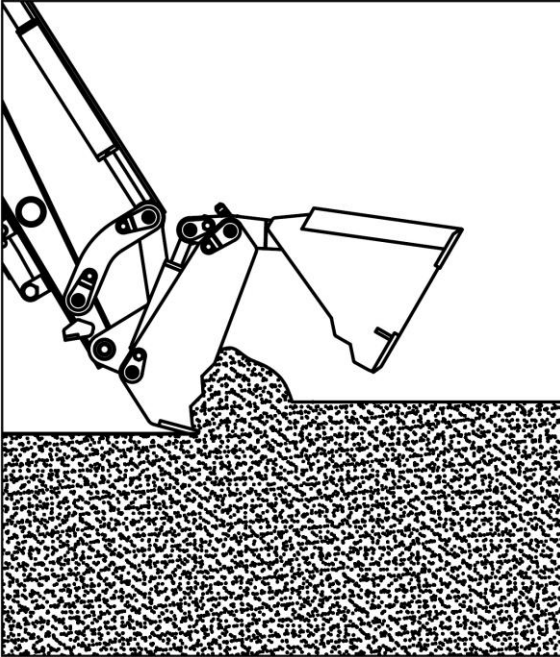
Only qualified people familiar with this manual should operate this machine. Operator should wear hard hat, safety glasses and safety shoes. The operator should read, understand and practice all safety messages shown on the caution, warning and danger decals affixed to the loader to avoid serious injury or death. It is recommended that tractor be equipped with Rollover Protective System (ROPS) and a seat belt be used. Check for ditches, stumps, holes or other obstacles that could damage tractor or loader. Fluid and/or weights for rear tires is recommended for added stability. See tractor operator's manual. Three point hitch mounted weights are available from your ANSUNG dealer. Always turn off tractor engine, set parking brake and lower loader to ground before dismounting tractor. See page 4 for additional safety precautions.

### **4-2 OPERATION**

The loader should be operated with the tractor engine running at 1200-1700 rpm. Excessive speeds are dangerous and may cause bucket spillage and unnecessary strain on both the tractor and loader.

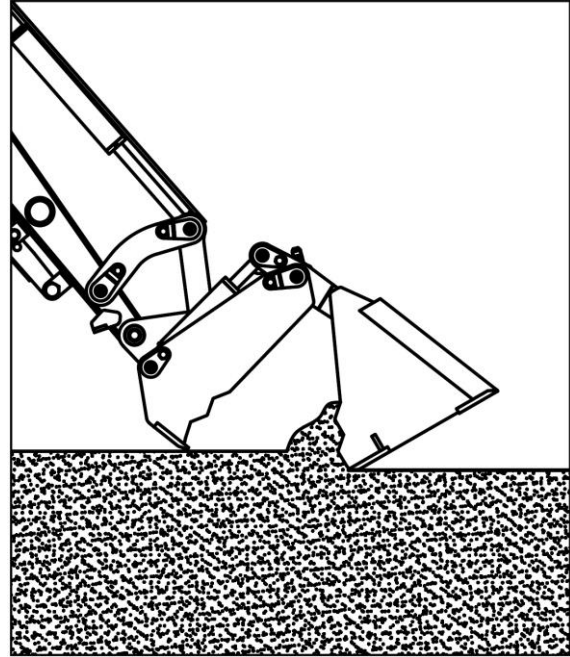
The following text and illustrations offer suggested loader and tractor operating techniques.

## BULLDOZING



For all industry use: road maintenance, clean up, grading filed, etc.

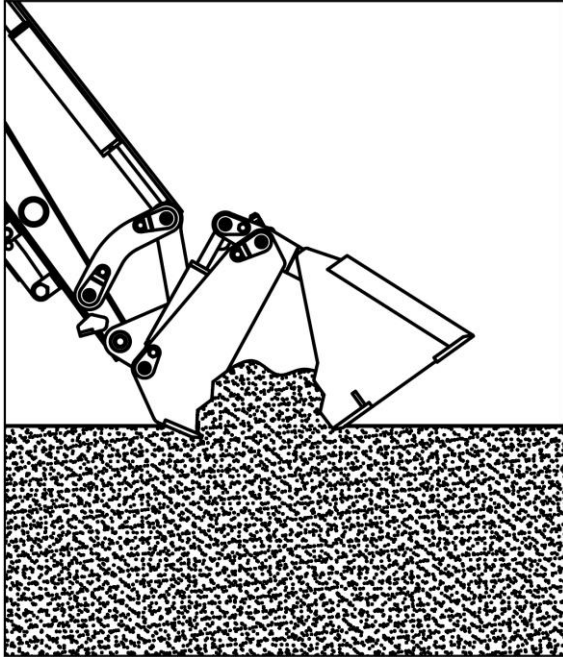
## BACKDRAG



For working in close quarters such as between buildings and among trees.

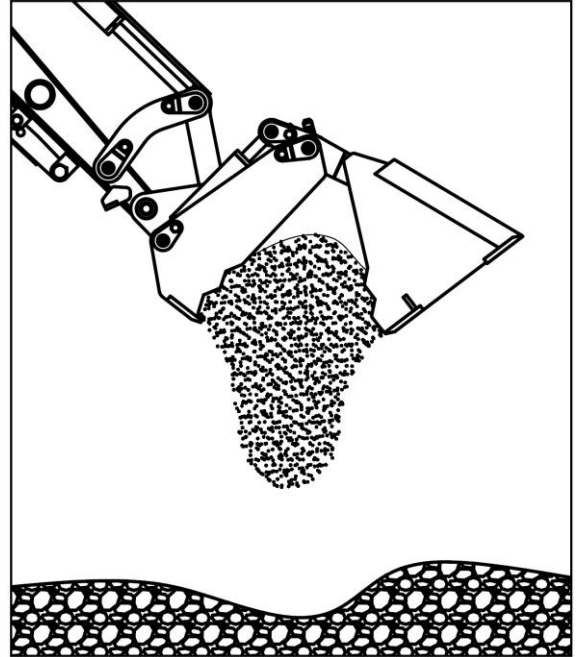


## CLAM



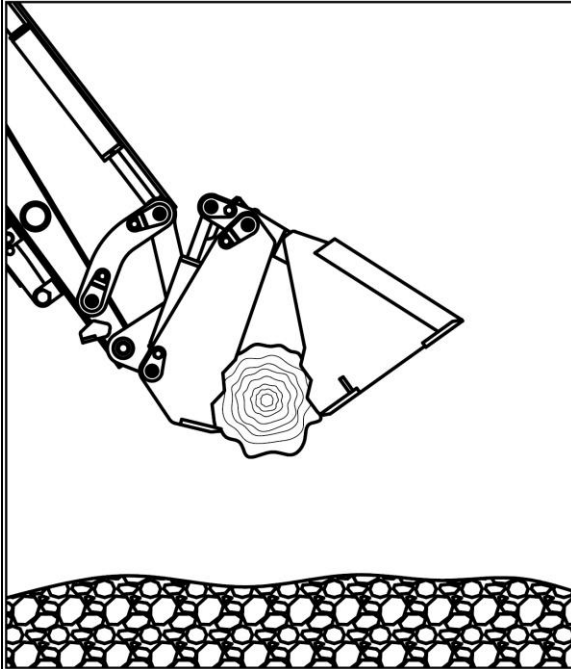
Ease to pick up the material on the ground.

## DUMPING



Ideal for fill in the hole and dumping into a container.

## GRAB



Grab all undesirable loading: brush, timbers and all bulky materials.

### WARNING

DO NOT LIFT OR CARRY ANYONE IN THE BUCKET OR ON ANY OTHER POSITION OF THE LOADER OR LOADER ATTACHMENT. INADVERTENT MOVEMENT OF THE LOADER OR ATTACHMENT COULD RESULT IN SERIOUS INJURY OR DEATH FROM FALLING OR CRUSHING.

### CAUTION

MAKE SURE MATERIAL IN BUCKET CANNOT ROLL OUT AND DOWN ON TRACTOR WHEN BUCKET IS RAISED TO FULL HEIGHT. KEEP CLEAR OF OVERHEAD OBSTRUCTIONS SUCH AS TREES, LIMBS OR POWER LINES WHEN RAISING THE BUCKET.

## **SECTION V MAINTENANCE**

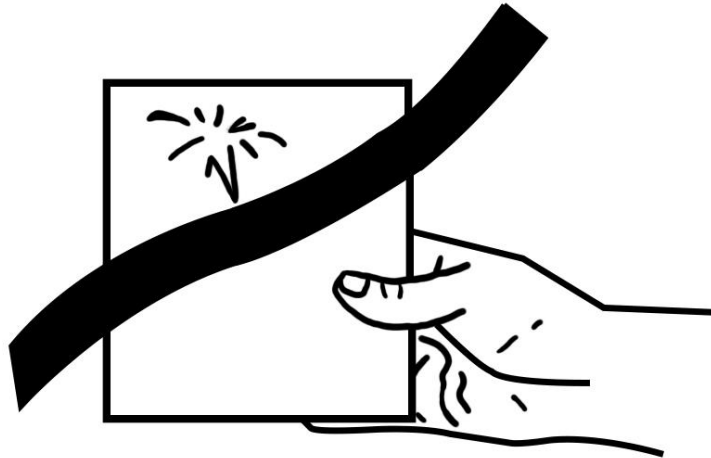
### **5-1 MAINTENANCE CHECK LIST**

Perform scheduled maintenance as outlined below. Lower machine to ground, turn off tractor and set parking brake before doing maintenance inspections or work. All bolts should be torqued as recommended in torque chart on inside of back cover unless otherwise indicated.

Check list	Job	Times
All bolts and nuts	If necessary tight all bolts and nuts of replace.	24hours
Hydraulic line	Check oil leaks on hydraulic line. (See procedure next page)	24hours
Any clack on machine	Inspect the machine for worn parts or cracked welds, and repair if necessary.	8hours
Lubricate	Lubricate all pins.	8hours

**! CAUTION !**

**USE A PIECE OF CARDBOARD OR WOOD RATHER THAN HANDS AND WEAR EYE PROTECTION WHEN SEARCHING FOR HYDRAULIC LEAKS. ESCAPING HYDRAULIC OIL UNDER PRESSURE CAN PENETRATE SKIN. IF OIL IS INJECTED INTO SKIN, IT MUST BE SURGICALLY REMOVED WITHIN A FEW HOURS BY A DOCTOR OR GANGRENE MAY RESULT.**



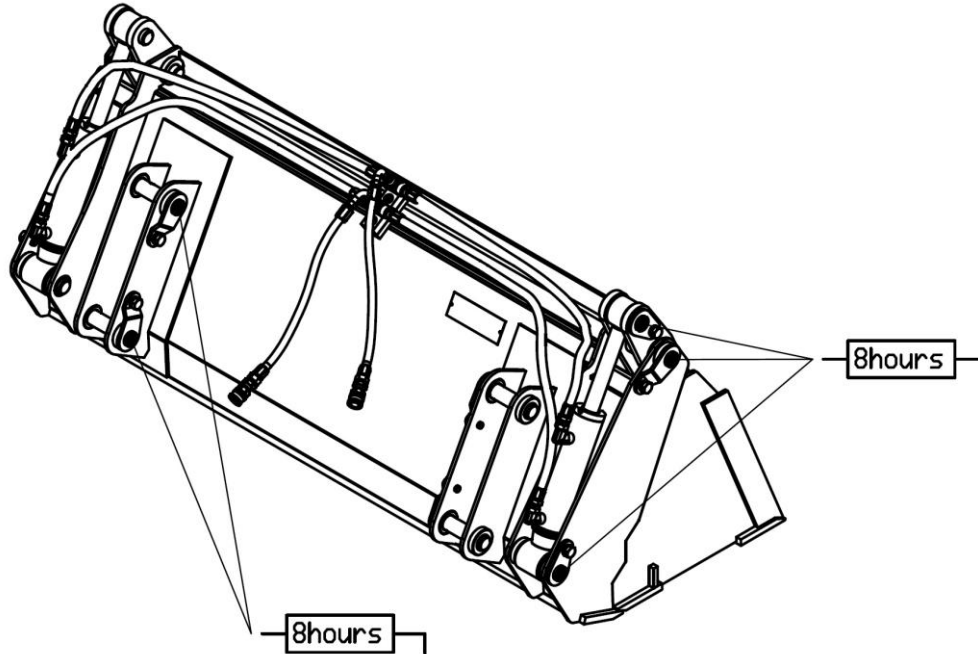
**! WARNING !**

**THE LOADER and 4 in 1 Bucket CAN FALL FROM HYDRAULIC SYSTEM FAILURE. TO AVOID SERIOUS INJURY OR DEATH, SECURELY SUPPORT LOADER and 4 in 1 Bucket BEFORE WORKING UNDERNEATH.**

## 5-2 LUBRICATION

### NOTE

The multipurpose grease referenced in this section is an NLGI Grade 2 type grease.



Lubrication Points

## 5-3 TROUBLESHOOTING

Troubleshooting procedures are listed in below table. If the problem cannot be solved or replacement parts are necessary, contact your authorized ANSUNG dealer. Please have ready your machine name, model number, serial number, purchase date, and exact cause or description of problem.

<b>PROBLEM</b>	<b>POSSIBLE CAUSE</b>	<b>REMEDY</b>
<p>1. Slow and/or will not open and close.</p>	<p>Hydraulic oil too heavy.                      Oil filter plugged.                      Hydraulic pump worn.                      Oil line restricted or leaking.</p> <p>Quick couplers not properly connected.                      Air in hydraulic system.</p> <p>Cylinder leaks internally.</p>	<p>Change to proper oil.                      Clean or replace filter.                      Repair or replace pump.                      Check all hoses and tubes for leaks, damage or restrictions.                      Replace damaged or restricted hoses or tube lines.                      Check connection - Replace if necessary.                      Cycle cylinders several times to free system of air.                      Replace seals.</p>
<p>2. Oil leaks.</p>	<p>Defective fittings or hoses.                      Loose Connections.                      Worn or damaged O-ring or wiper seal in cylinder rod end.</p>	<p>Replace defective parts.                      Tighten fittings.                      Install a seal repair kit.</p>

**Memo**

-----

-----

-----

-----

-----

-----

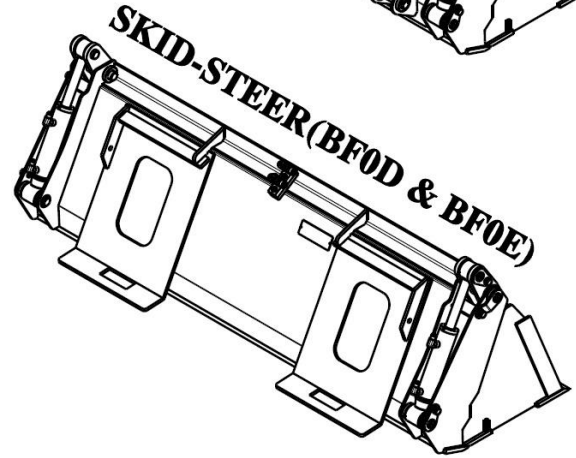
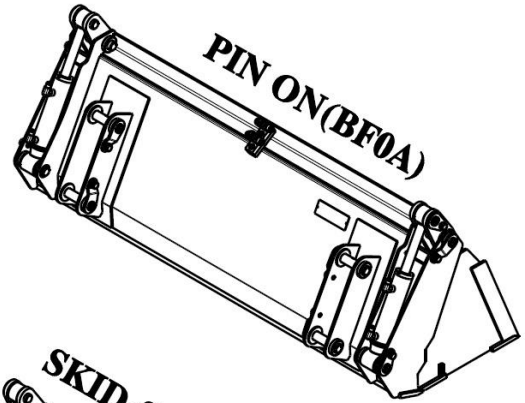
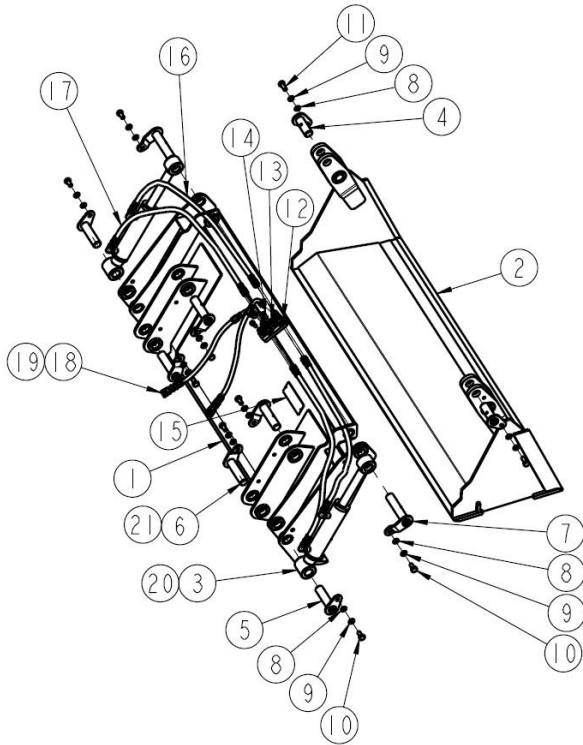
-----

-----

-----

-----

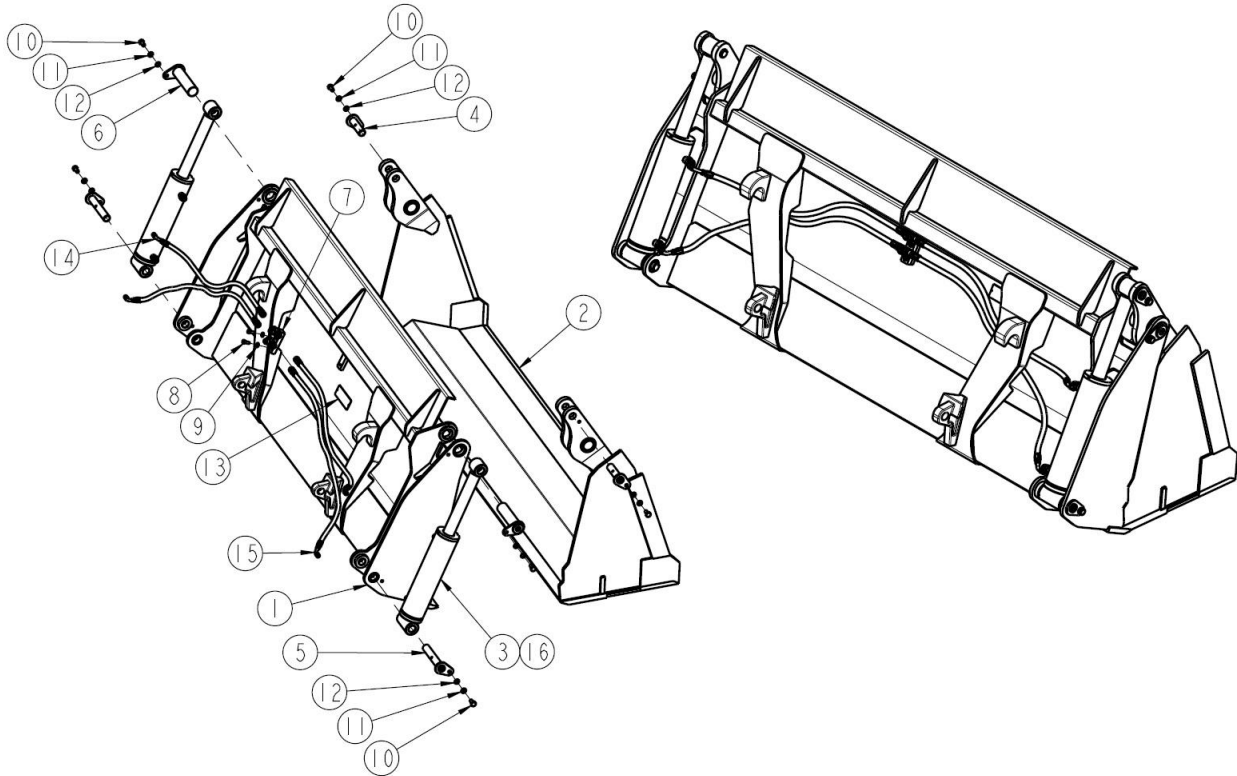
**PART LIST - 4 in 1 Bucket BF Series**





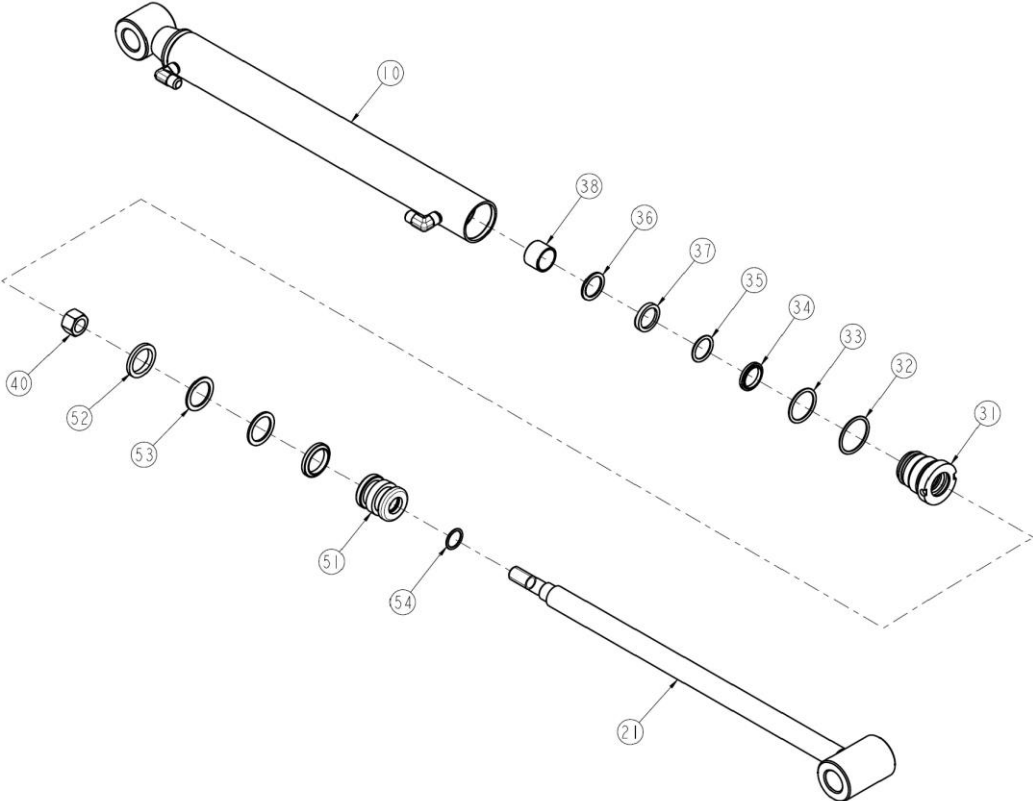
NO	PART NUMBER			PART NAME	DESCRIPTION	Q'TY		REMARK
	BFOA	BFOD	BFOE			BFOA	BFOD/E	
1	BFOA-1000	BFOD-1000	BFOE-1000	REAR BUCKET ASSY		1		
2	BFOA-200		BFOB-2000	FRONT BUCKET ASSY		1		
3	BF00-5000			CYLINDER	Ø 40x Ø 25xST90	2		
4	P25B-070A			PIN	Ø 25	2		
5	P25B-095A			PIN	Ø 25	2		
6	P25A-110A	-	-	PIN	Ø 25	4	-	
7	P25A-120A			PIN	Ø 25	2		
8	WPIOM			PLAIN WASHER	M10	10	6	
9	WSIOM			SPRING WASHER	M10	10	6	
10	BH1044150Z			BOLT	M10x20L	8	4	
11	BH1055150Z			BOLT	M10x25L	2		
12	BFOC-9100			T-BLOCK		1		
13	WS08M			SPRING WASHER	M8	2		
14	BW0844125Z			BOLT	M8x20L	2		
15	FIO-9010			SERIAL PLATE		1		
16	5PG1-1780		5PG1-1040	HOSE		2	2	
17	5PG1-1790		5PG1-1820	HOSE		2	2	
18	3P81-1460		5PG1-1470	HOSE		2	2	
19	ALK-28-07-7100			Q-COUPLING(F)		2		
20	SEALKIT 4025			SEAL KIT	BF00-5000	1		
21	BFOA-0010	-	-	SHIM	SS41	8	-	

**PART LIST - 4 in 1 Bucket FIO Series**



NO	PART NUMBER			PART NAME	DESCRIPTION	Q'TY			REMARK
	FIOL	FIOM	FION						
1	FIO-1000	FI0B-1000	FI0K-1000	REAR BUCKET ASSY		1			
2	FIO-2000	FI0B-2000	FI0K-2000	FRONT BUCKET ASSY		1			
3	FIO-5000			CYLINDER	Ø 75x Ø 40xST210	2			
4	P25B-090A			PIN	Ø 25	2			
5	P25B-145A			PIN	Ø 25	2			
6	P38B-1450			PIN	Ø38	2			
7	BFOC-910A			T-BLOCK	M10	1			
8	BWO844125Z			BOLT	M8x20L	2			
9	WS08M			SPRING WASHER	M8	2			
10	BH1044150Z			BOLT	M10X20L	6			
11	WS10M			SPRING WASHER	M10	6			
12	WP10M			PLAIN WASHER	M10	6			
13	FIO-9010			SERIAL PLATE		1			
14	3P82-0520	3P82-0530	3P82-0550	HOSE		4	4	2	
15	-	-	3P82-0560	HOSE		-	-	2	
16	SEALKIT 7540			SEAL KIT	FIO-5000	1			

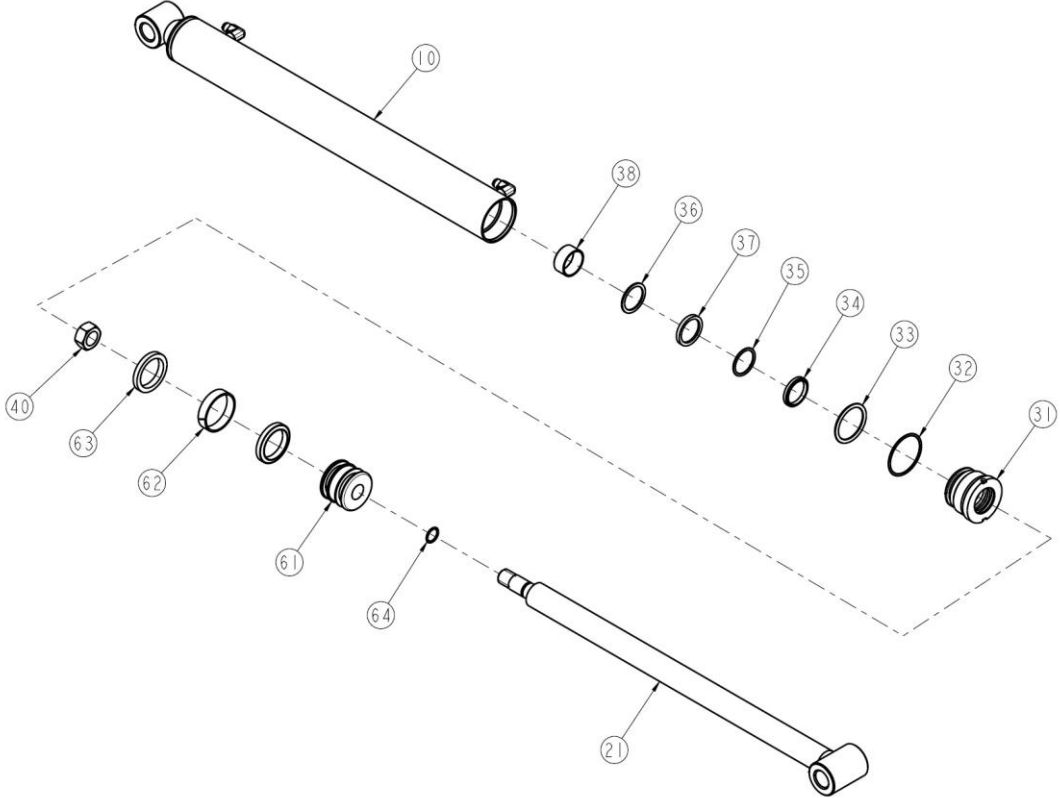
**PART LIST - Cylinder BF Series**



**CYLINDER ASSEMBLY**

NO	PART NUMBER	PART NAME	Q'TY	REMARK
0	BF00-5000	CYLINDER	2	
10	BF00-510A	TUBE	1	
21	BF00-530A	ROD	1	
31	CR4025	COVER ROD	1	
32	1BG40	O-RING	1	
33	1BP35	O-RING	1	
34	LBW 25x33x5/6,5	DUST SEAL	1	
35	1BP25	O-RING	1	
36	BRWW 25x33x2	BACK UP RING	1	
37	ISW 25x33x5	U-PACKING	1	
38	DU2520	DU BUSH	1	
40	CY-M16	NUT	1	
51	PI4025	PISTON	1	
52	BRWW 30x40x2	BACK UP RING	2	
53	ODW 40x30x6	U-PACKING	2	
54	1BP20	O-RING	1	
	SEAL 4025	SEAL KIT	1	

**PART LIST - Cylinder FIO Series**



**CYLINDER ASSEMBLY**

NO	PART NUMBER	PART NAME	Q'TY	REMARK
0	FIO-5000	CYLINDER	2	
10	FIO-5030	TUBE	1	
21	FIO-5010	ROD	1	
31	CR7540	COVER ROD	1	
32	1BG75	O-RING	1	
33	1BP65	O-RING	1	
34	LBW 40x48x5/6,5	DUST SEAL	1	
35	1BP40	O-RING	1	
36	ISW 40x50x6	U-PACKING	1	
37	BRWW 40x50x2	BACK UP RING	1	
38	DU4020	DU BUSH	1	
40	CY-M24	NUT	1	
61	PI7540	PISTON	1	
62	WRW 75x70x15	WEAR-RING	1	
63	ODW 75x60x9	U-PACKING	2	
64	1BP21	O-RING	1	
	SEAL 6035	SEAL KIT	1	

**Memo**

.....

.....

.....

.....

.....

.....

.....

.....

.....

.....











**Address of the dealer**

Stick or write down the serial number here

**Wilhelm STOLL Maschinenfabrik GmbH**

PO box 1181, 38266 Lengede

Bahnhofstr. 21, 38268 Lengede

Phone: +49 (0) 53 44/20 0

Fax: +49 (0) 53 44/20 182

E-mail: [info@stoll-germany.com](mailto:info@stoll-germany.com)

**STOLL on the Internet:**

[www.stoll-germany.com](http://www.stoll-germany.com)

[www.facebook.com/STOLLFrontloader](https://www.facebook.com/STOLLFrontloader)

[www.youtube.com/STOLLFrontloader](https://www.youtube.com/STOLLFrontloader)